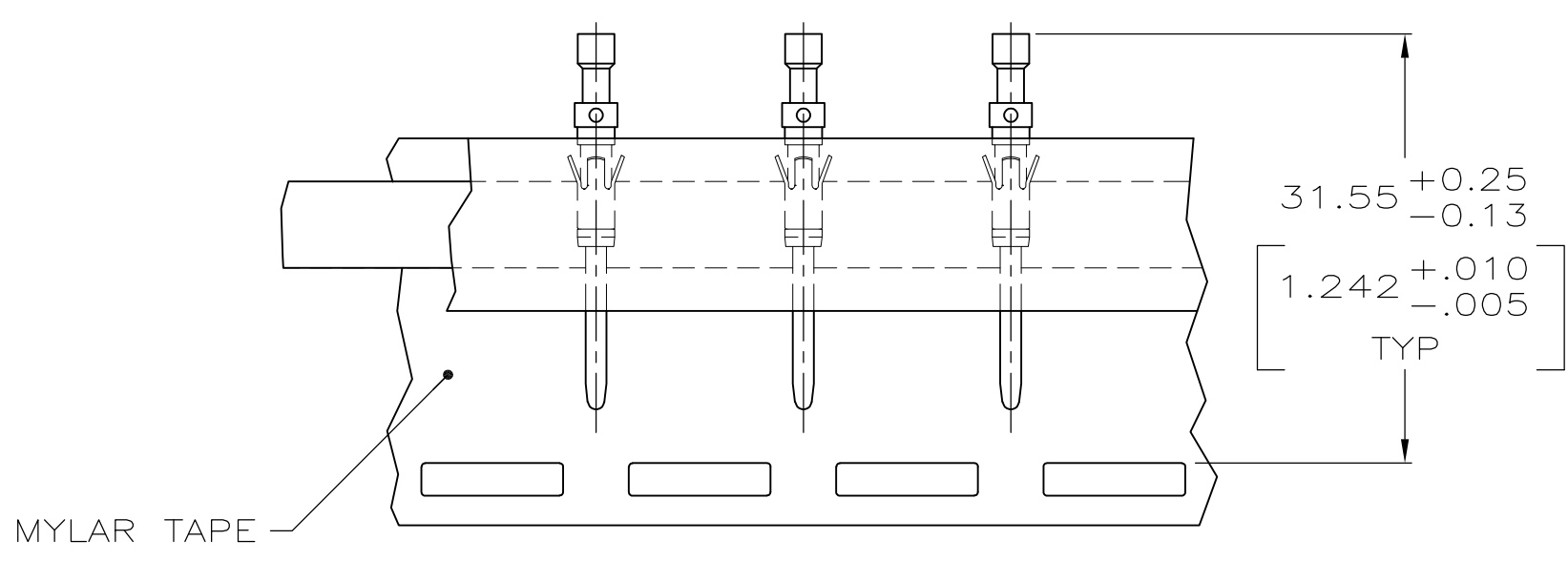
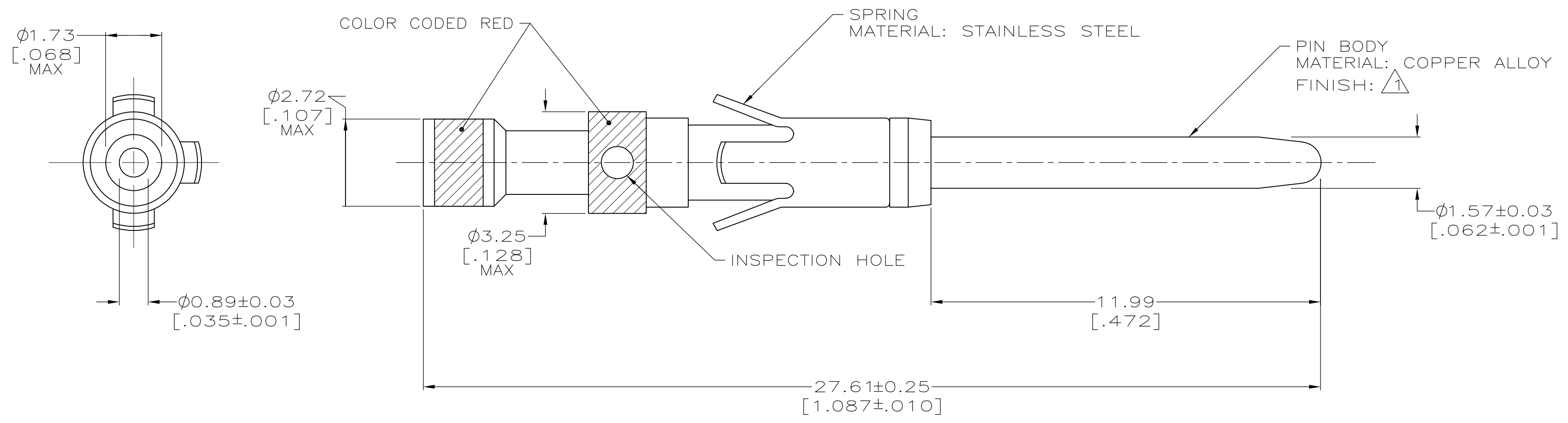


LOC	DIST	REVISIONS			
P	LTR	DESCRIPTION	DATE	DWN	APVD
FT	8				
N		REDRAWN W/O CHANGE PER EC 0320-98-96	24 NOV 97	-	-
N1		REVISED PER ECO-09-021826	11JAN10	KK	AEG



TAPE MTG DETAIL
SCALE 2:1

- 1. 0.76µm [.000030] MIN GOLD OVER 1.27µm [.000050] MIN NICKEL.
- 2. WHEN ORDERING CONTACT ASSEMBLY ON TAPE, ORDER BY THE TAPE NUMBER PLUS THE PACKAGING CODE AS FOLLOWS:
 - 1. FOR USE WITH AMP TAPETRONIC, PNEUMATIC TOOL-
 - A. 1000 PARTS TO A BOX ADD PACKAGING CODE: 1MBOX
 - 2. FOR USE WITH 4/8 INDENT STRIPPER CRIMPER-
 - A. 1000 PARTS TO A REEL ADD PACKAGING CODE: 1MREEL
 - B. 5000 PARTS TO A REEL ADD PACKAGING CODE: 5MREEL
- 3. OBSOLETE PARTS: OBSOLETE CIS STREAMLINING PER D.RENAUD/D.SINISI

OBSOLETE	TAPE MTD	201611-4
	STANDARD	201611-1
	PACKAGING TYPE	PART NUMBER

THIS DRAWING IS A CONTROLLED DOCUMENT.		DWN	B.CARBO	24 NOV 97	AMP	AMP Incorporated	
		CHK	R.STONE	09 DEC 97		Harrisburg, PA 17105-3608	
DIMENSIONS:		TOLERANCES UNLESS OTHERWISE SPECIFIED:		APVD	G.STEINHAUER	NAME	
mm [INCHES]		0 PLC ±-		PRODUCT SPEC		CONTACT ASSEMBLY, PIN, #16, 24-28AWG, TYPE II	
		1 PLC ±-		APPLICATION SPEC		SIZE CAGE CODE DRAWING NO	
		2 PLC ±0.13 [.005]				A2 00779 201611	
		3 PLC ±-				RESTRICTED TO	
		4 PLC ±-					
		ANGLES ±-					
MATERIAL		FINISH		WEIGHT		SCALE 10:1 SHEET 1 OF 1 REV N1	
SEE CALLOUTS		SEE CALLOUTS		-			
				CUSTOMER DRAWING			

单击下面可查看定价，库存，交付和生命周期等信息

[>>TE Connectivity\(泰科\)](#)