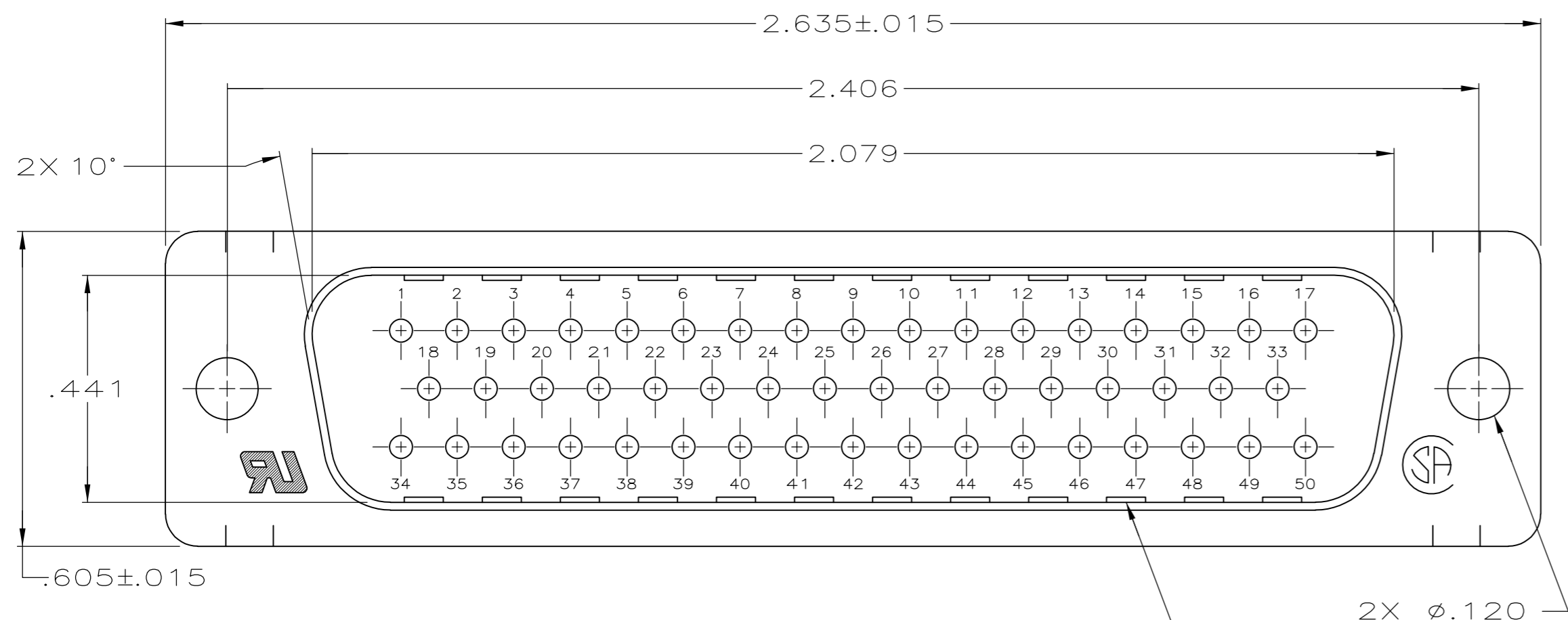
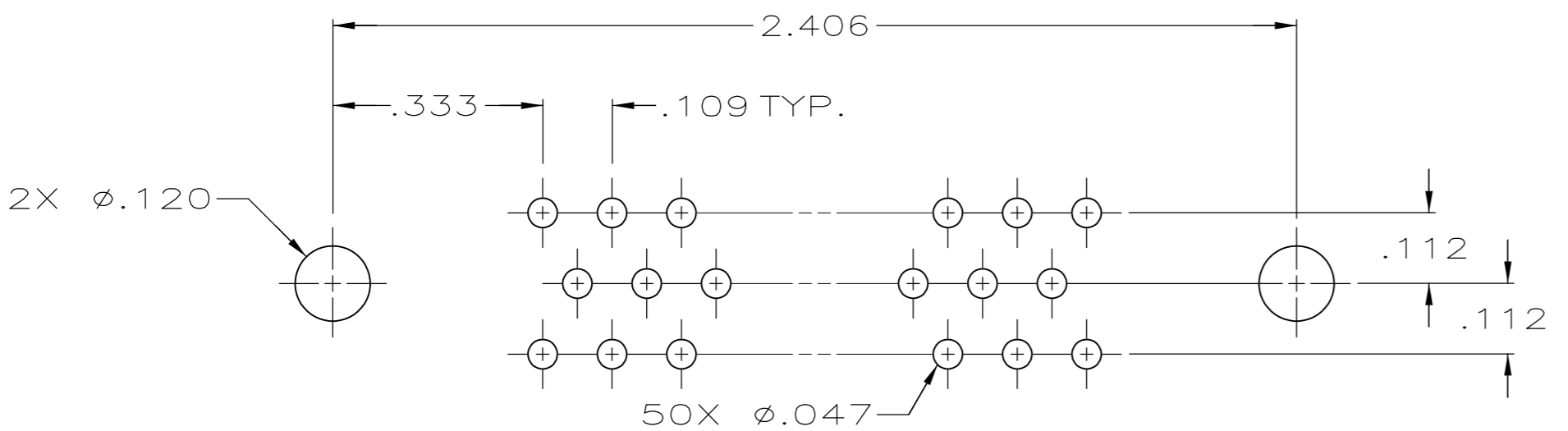
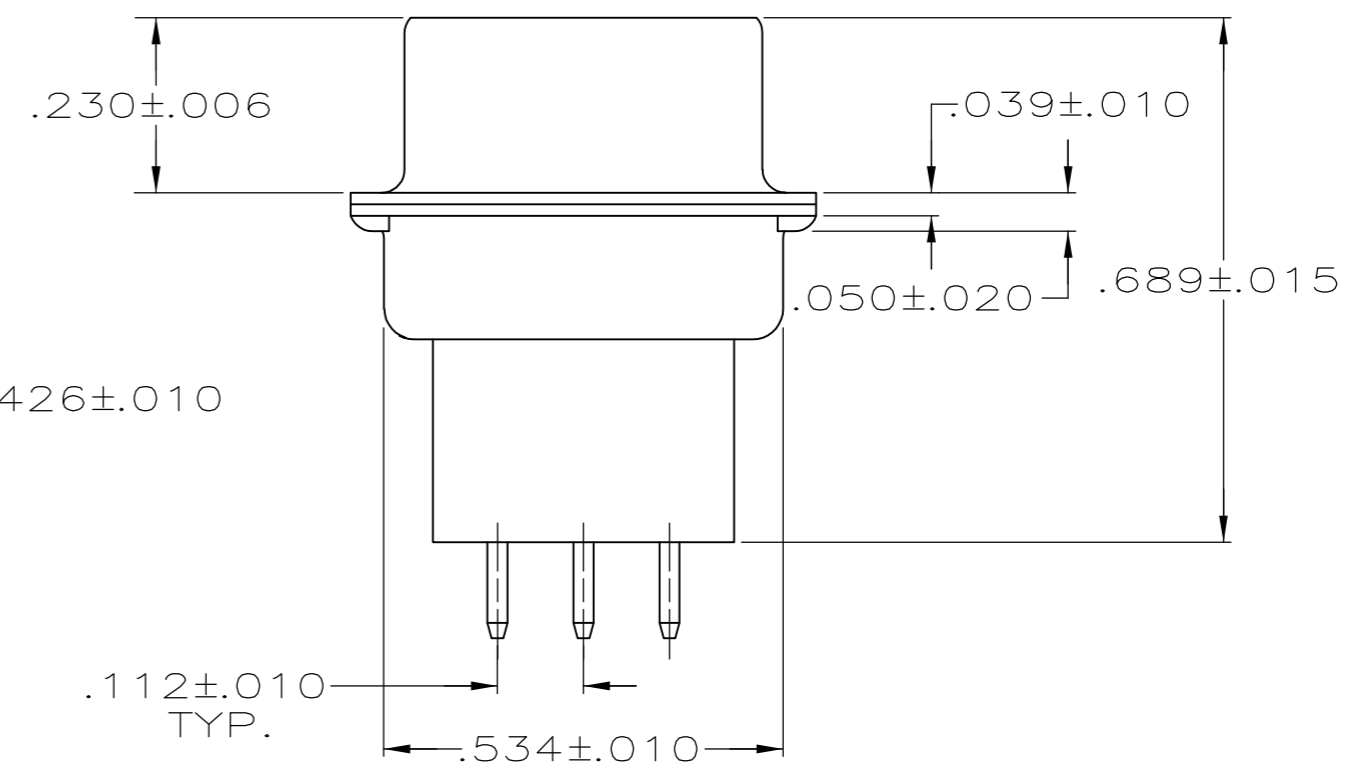
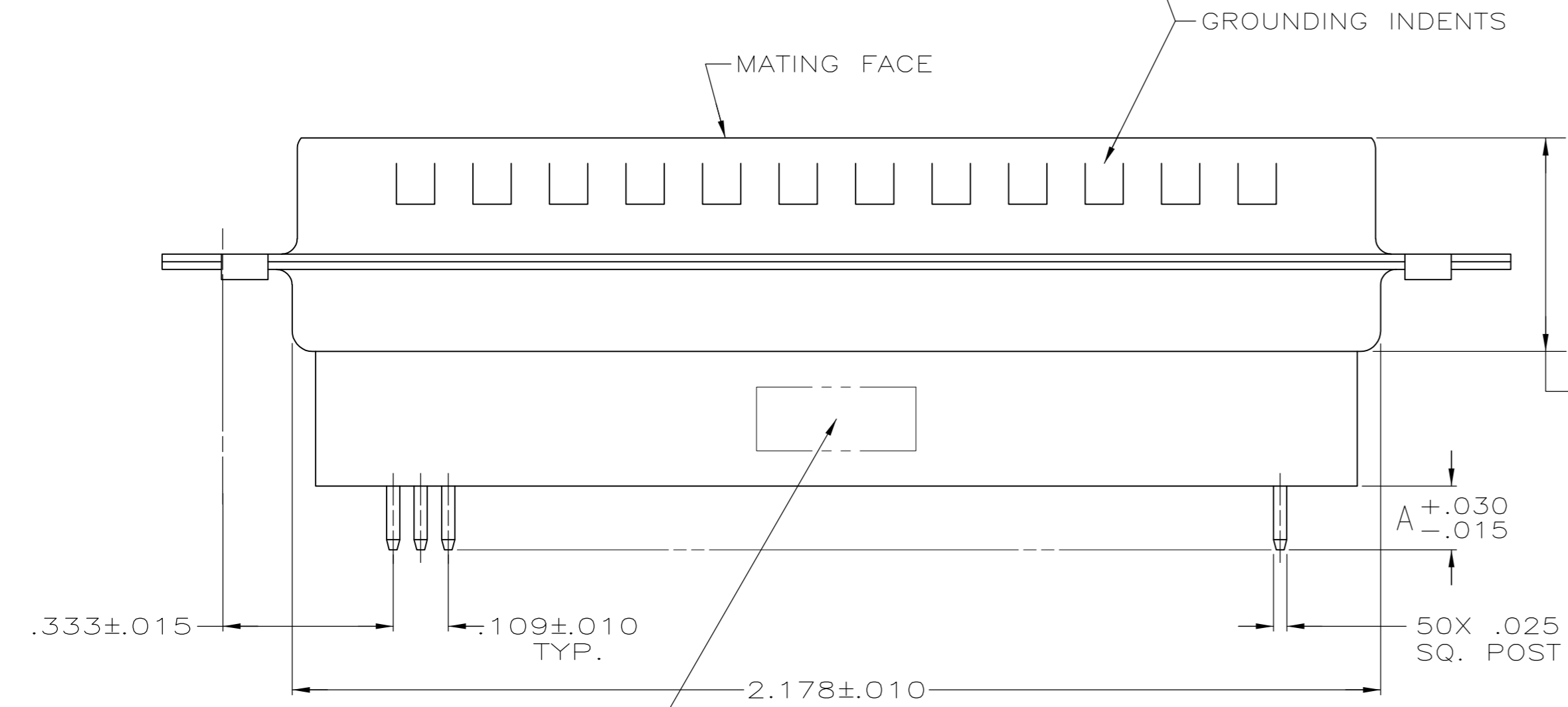


THIS DRAWING IS UNPUBLISHED. RELEASED FOR PUBLICATION  
 © COPYRIGHT BY TYCO ELECTRONICS CORPORATION. ALL RIGHTS RESERVED.

LOC		DIST		REVISIONS			
GP	00	P	LTR	DESCRIPTION	DATE	DWN	APVD
		K		REVISED PER ECO-10-000073	20FEB2010	CJV	SB



- 1. NOTE DELETED.
- ⚠ MOLDED PARTS: FLAME RETARDANT 94V-0 RATED THERMOPLASTIC; COLOR, BLACK  
CONTACT: BRASS  
SHELLS: STEEL
- ⚠ GOLD FLASH FOR A LENGTH OF .150 MIN FROM MATING END .000100 MIN TIN-LEAD ON OPPOSITE END, ALL OVER 1.27 MIN NICKEL.
- ⚠ GOLD PLATED FOR A LENGTH OF .150 FROM MATING END, .000030 MIN GOLD IN MATED AREA, .000100 MIN TIN-LEAD FOR ON OPPOSITE END, ALL OVER .000050 MIN NICKEL.  
-OR-  
GOLD FLASH OVER PALLADIUM-NICKEL PLATED FOR LENGTH OF .150 MIN FROM MATING END, .000030 MIN TOTAL IN MATED AREA, .000100 MIN TIN-LEAD ON OPPOSITE END, ALL OVER .000050 MIN NICKEL.
- ⚠ OBSOLETE.
- ⚠ .000200 MIN TIN OVER .000100 MIN COPPER.



P.C. BOARD MOUNTING DIMENSIONS

⚠	⚠	.188	745414-8
	⚠	.188	745414-7
⚠	⚠	.651	745414-6
⚠	⚠	.651	745414-5
⚠	⚠	.427	745414-4
⚠	⚠	.427	745414-3
SUPSD BY 745414-1		⚠	.125
	⚠	.125	745414-1
	CONTACT FINISH	DIMENSION A	PART NUMBER

THIS DRAWING IS A CONTROLLED DOCUMENT.		DWN J.GERACE 10-25-83	Tyco Electronics Corporation Harrisburg, PA 17105-3608	
DIMENSIONS: INCHES		CHK J.GERACE 10-25-83	NAME	
TOLERANCES UNLESS OTHERWISE SPECIFIED:		APVD B. TAYLOR 1-04-84	PRODUCT SPEC	
0 PLC ± -		108-40025		
1 PLC ± -		APPLICATION SPEC		
2 PLC ± -		114-40013		
3 PLC ± .005		WEIGHT -		
4 PLC ± -		SIZE A2		
ANGLES ± 2°		CAGE CODE 00779		
FINISH		DRAWING NO C=745414		
SHELLS: ⚠		RESTRICTED TO -		
CONTACTS: SEE TABLE		SCALE NTS SHEET 1 of 1 REV K		

单击下面可查看定价，库存，交付和生命周期等信息

[>>TE Connectivity\(泰科\)](#)

[>>点击查看相关商品](#)