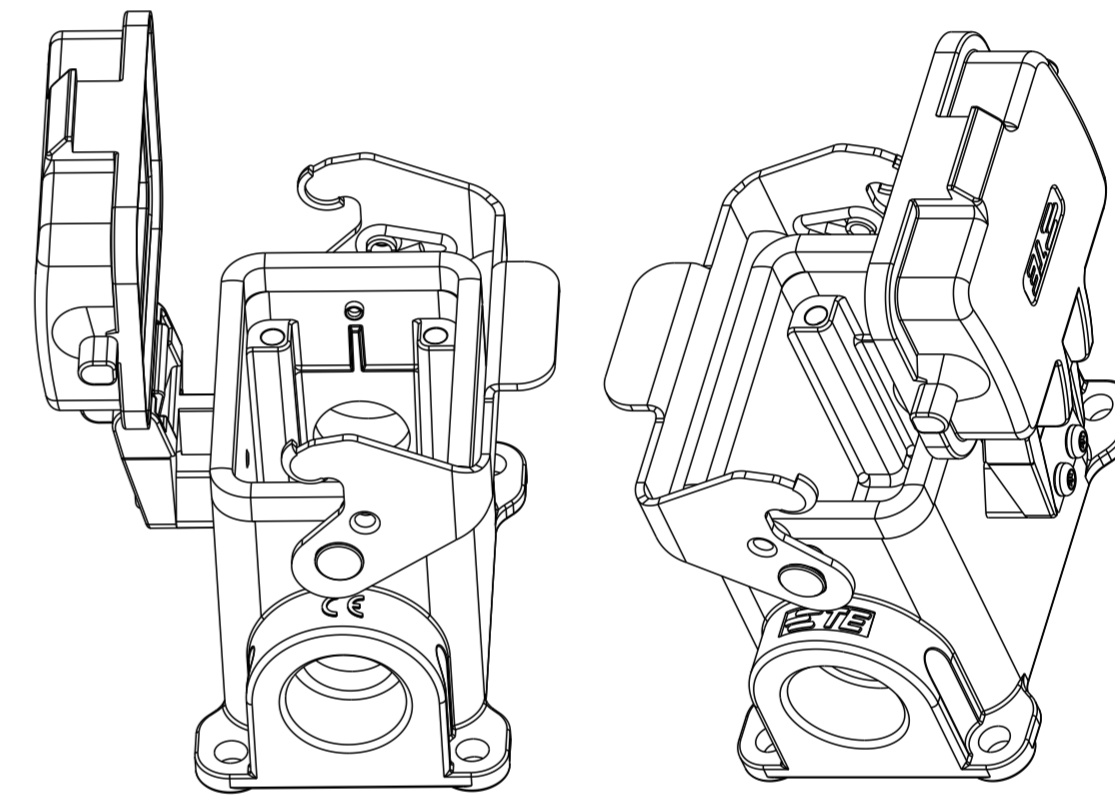
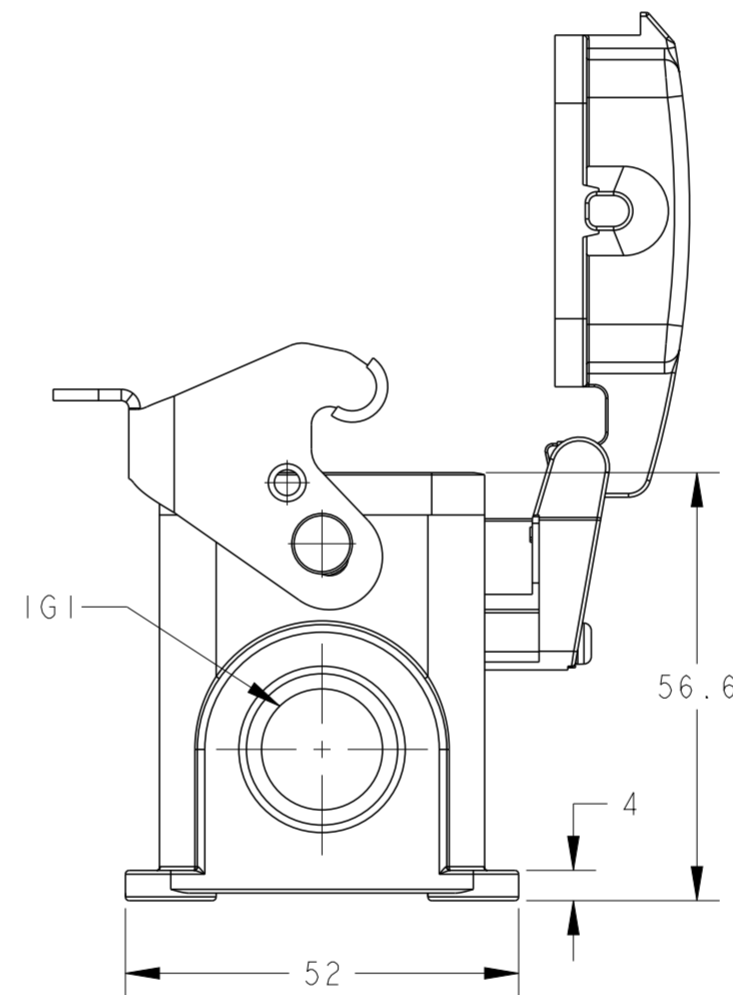
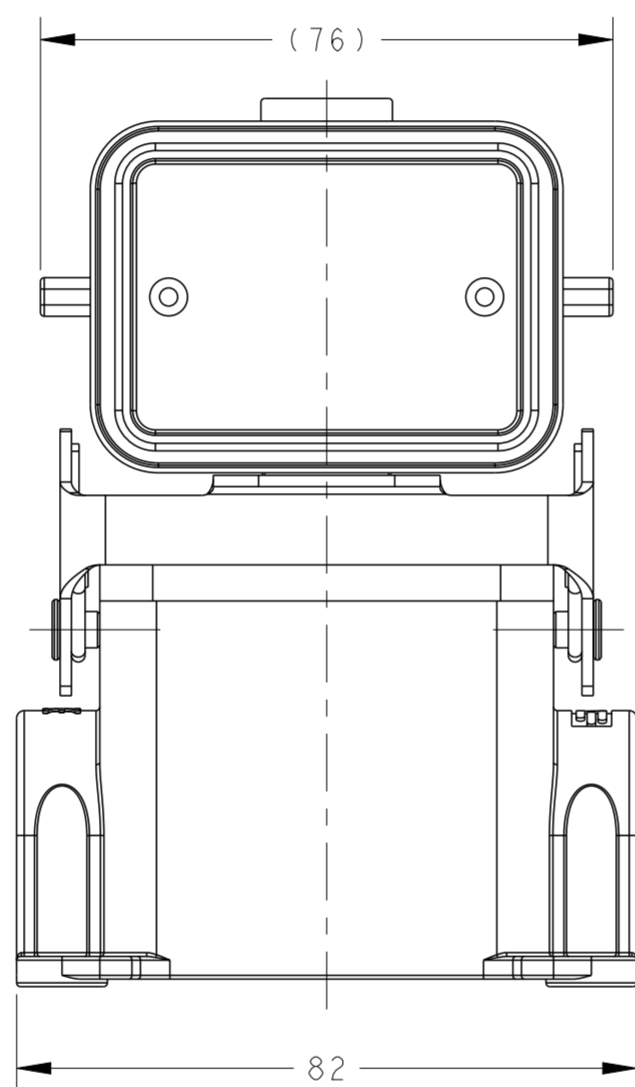
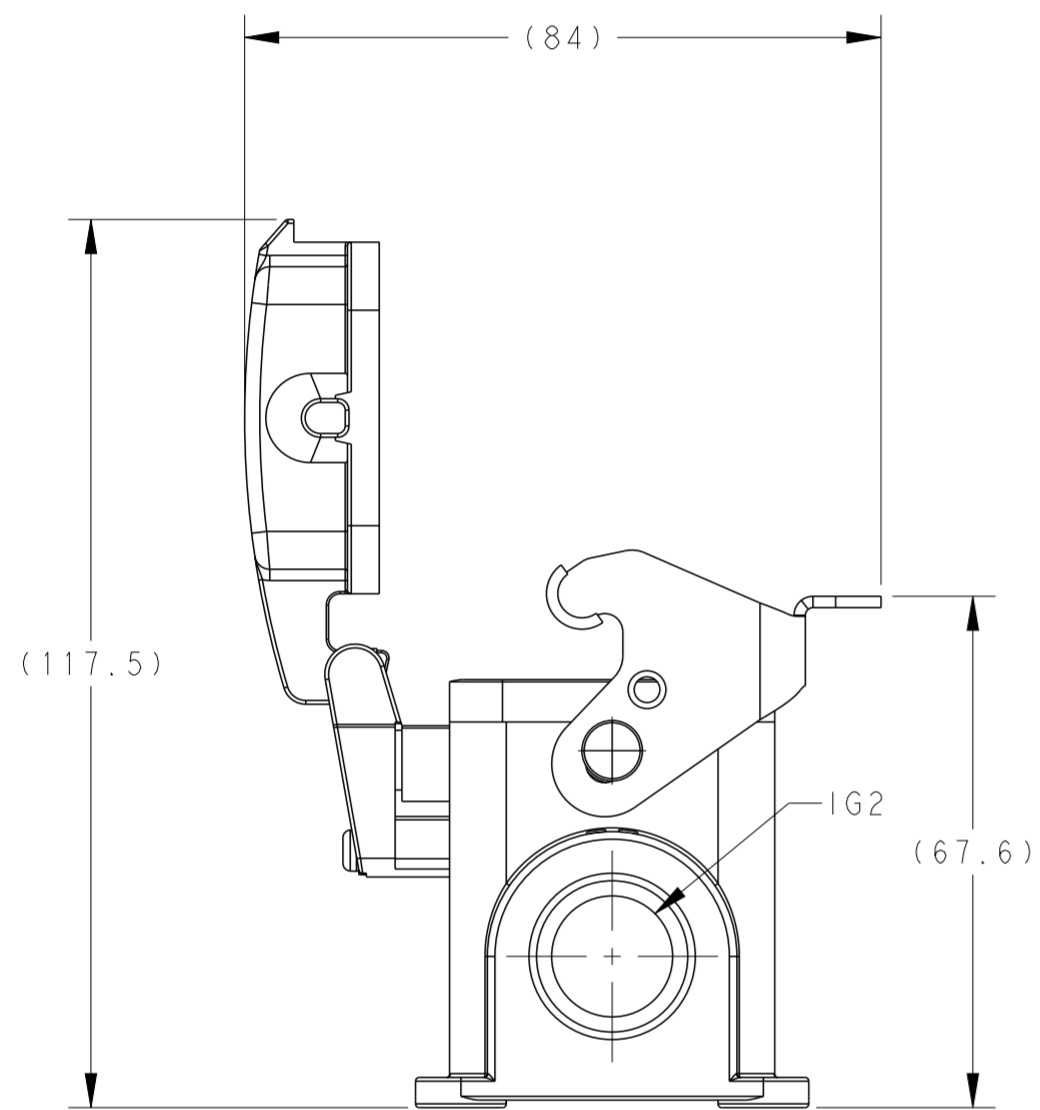
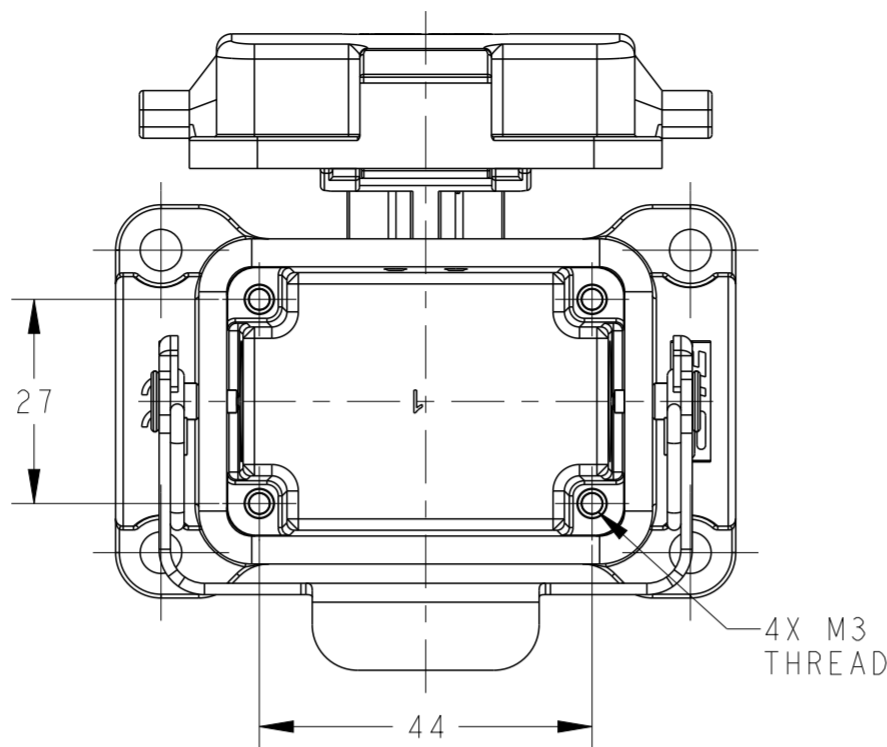


THIS DRAWING IS UNPUBLISHED. RELEASED FOR PUBLICATION 20
 © COPYRIGHT 20 BY - ALL RIGHTS RESERVED.

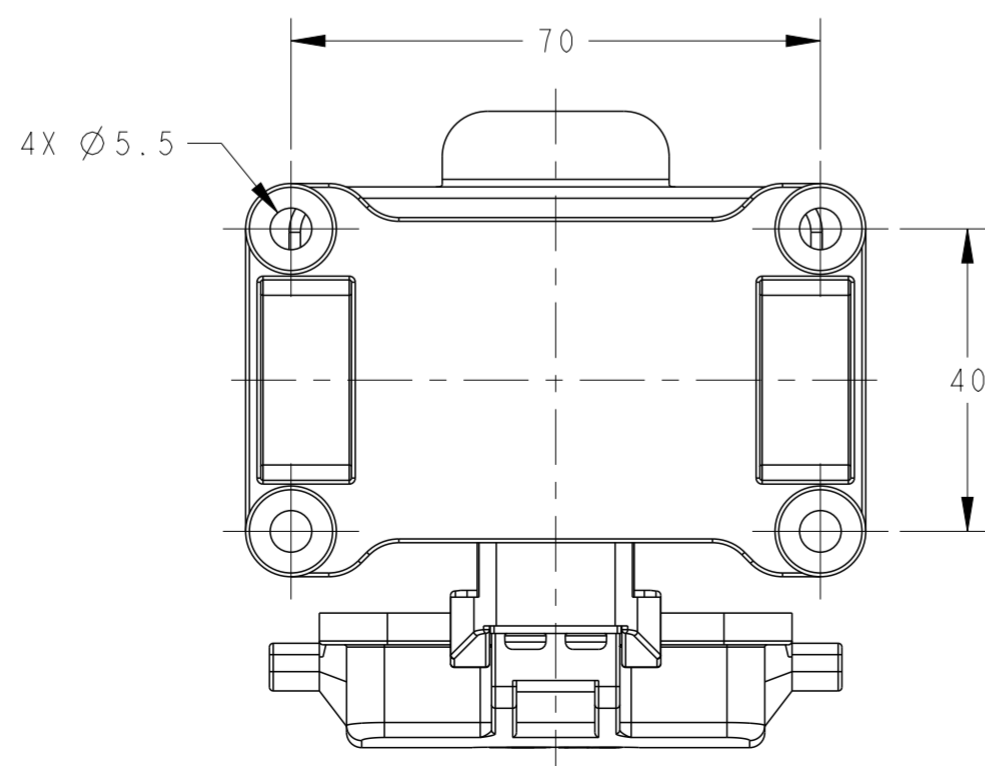
REVISIONS				
P	LTR	DESCRIPTION	DATE	APVD
A		INITIAL	23JUN2015	DW CW
A1		ECR-16-007065	16MAY2016	CH CW
B		ECR-20-007968	15JUN2020	WOR CW

NOTES:
 1. TECHNICAL CHARACTERISTICS:
 HOUSING MATERIAL: DIE CAST ALUMINIUM ALLOY
 SURFACE: POWDER COATED, GREY
 DEGREE OF PROTECTION: IP65 (MATED)

注释:
 1. 技术参数:
 下壳材料: 铝合金
 表面处理: 粉末涂层, 灰色
 防护等级: IP65 (配合)



SCALE 4:5



T1620063116-001	H6B-SDR-PG16	-	PG16
T1620063105-000	H6B-SDR-G1/2	G1/2	-
T1620063113-000	H6B-SDR-PG13.5	PG13.5	-
T1620063116-000	H6B-SDR-PG16	PG16	-
T1620063120-000	H6B-SDR-M20	M20	-
T1620063121-000	H6B-SDR-PG21	PG21	-
T1620063125-000	H6B-SDR-M25	M25	-
T1620061621-000	H6B-SDR-PG16/PG21	PG16	PG21
T1620061625-000	H6B-SDR-PG16/M25	PG16	M25
T1620063216-000	H6B-SDR-2PG16	PG16	PG16
T1620063220-000	H6B-SDR-2M20	M20	M20
T1620063225-000	H6B-SDR-2M25	M25	M25
PART NUMBER		PART DESCRIPTION	
零件料号		零件描述	
		IG1	IG2
		螺纹孔1	螺纹孔2

THIS DRAWING IS A CONTROLLED DOCUMENT.		DWN	23JUN2015	STE TE Connectivity
		DAVID.WANG	23JUN2015	
		CHK	CHRIS.WANG	
		APVD	XIANG.XU	
DIMENSIONS:		PRODUCT SPEC		NAME H6B-SDR-M/PG
mm		108-137013		
TOLERANCES UNLESS OTHERWISE SPECIFIED:		APPLICATION SPEC		SIZE A200779
0 PLC ±		114-137013		
1 PLC ±		WEIGHT		DRAWING NO C-T162006XXXX000
2 PLC ±		-		
3 PLC ±		Customer Drawing		RESTRICTED TO -
4 PLC ±		SCALE 1:1		
ANGLES ±		SHEET 1 OF 1		REV B
FINISH -		REV B		

单击下面可查看定价，库存，交付和生命周期等信息

[>>TE Connectivity\(泰科\)](#)