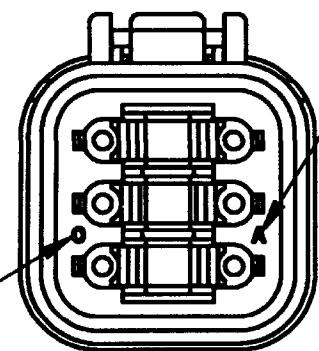


3-DIMENSIONAL VIEW

MONTH IS REPRESENTED BY SEQUENTIAL ALPHA CHARACTERS.
EX: A = JANUARY.



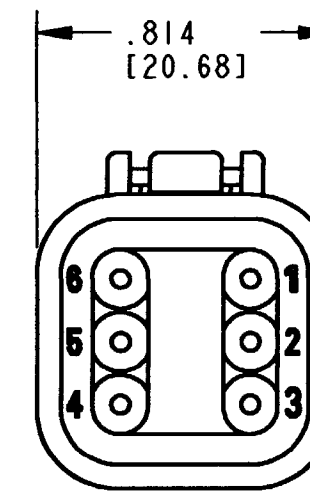
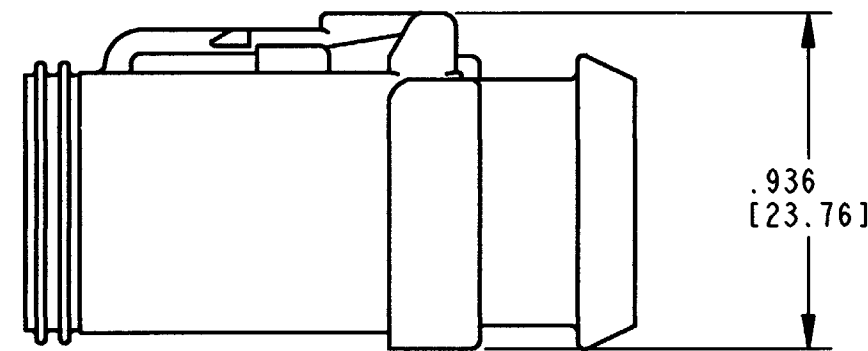
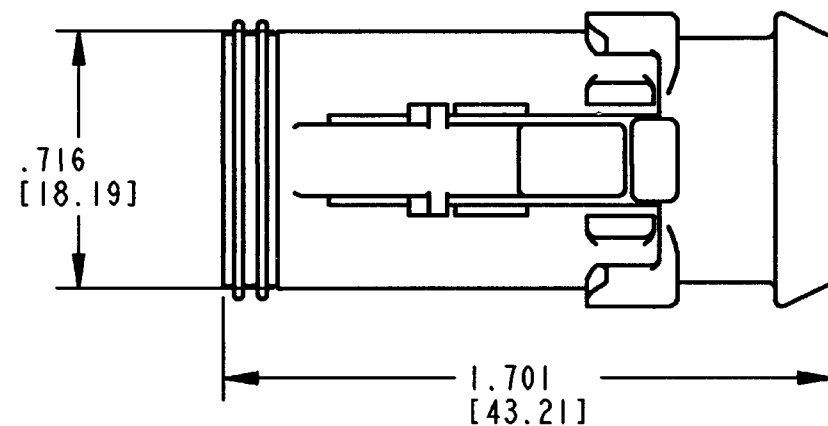
YEAR IS REPRESENTED BY THE LAST DIGIT. EX: 0=2000.

- 6. MATERIAL - SHELL: PLASTIC; SEAL: RUBBER.
- 5. THIS PLUG MATES WITH DT04-6P-**** RECEPTACLE. (****=ALL MODIFICATIONS). CONSULT FACTORY FOR MODIFICATION.
- 4. WEDGE LOCK W6S SOLD SEPARATELY.
- 3. FOR CONTACTS AND WIRE PERFORMANCE AND APPLICATION CHARACTERISTICS SEE ENVELOPE DRAWING 0425-015-0000 AND 0425-017-0000.
- 2. DIMENSIONS ARE $\pm .025$ [0.63] UNLESS OTHERWISE SPECIFIED.
- 1. DIMENSIONS ARE IN INCHES [MILLIMETERS].

NOTES:

REV		REVISIONS		
SYM	DESCRIPTION	DATE	APPROVED	
NC	NEW RELEASE PER E.O. P19752	3-17-08	RDR	

DT06-6S-E008



CONTACT SIZE	MIN. INSUL O.D.	MAX. INSUL O.D.	WIRE RANGE [mm ²]
16	.088 [2.23]	.145 [3.68]	14-20 AWG [2.0-0.5]

SIGNATURE & DATE	
DR	R. MESSENGER 2/14/08
CHK	<i>[Signature]</i> 3/13/08
PE	R. Messenger 2/14/08
APPD	<i>[Signature]</i> 2-14-08
SCALE	NONE WT

6 WAY PLUG
W/ EXTENDED CAP
DT SERIES
ENVELOPE

EP	MATL. CODE
3850 INDUSTRIAL AVE. HEMET, CA 92545 DEUTSCH INDUSTRIAL	
B	DT06-6S-E008
DWG SIZE	CODE SHEET OF

单击下面可查看定价，库存，交付和生命周期等信息

[>>TE Connectivity\(泰科\)](#)