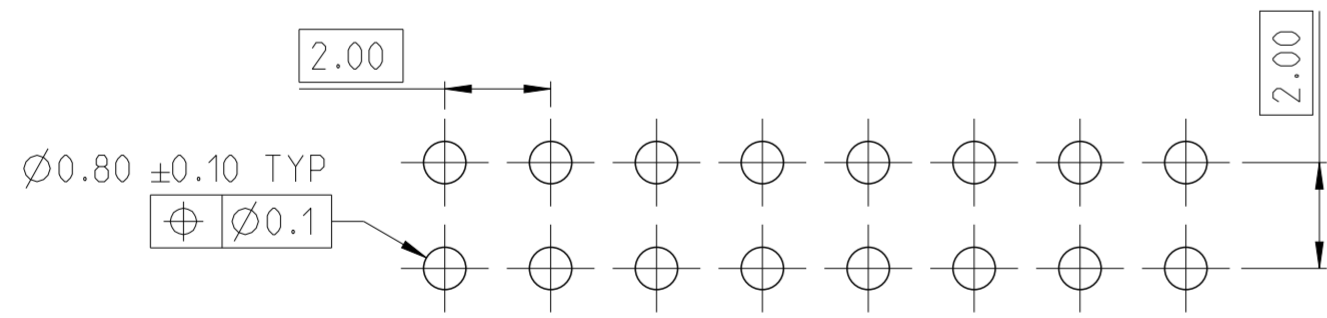
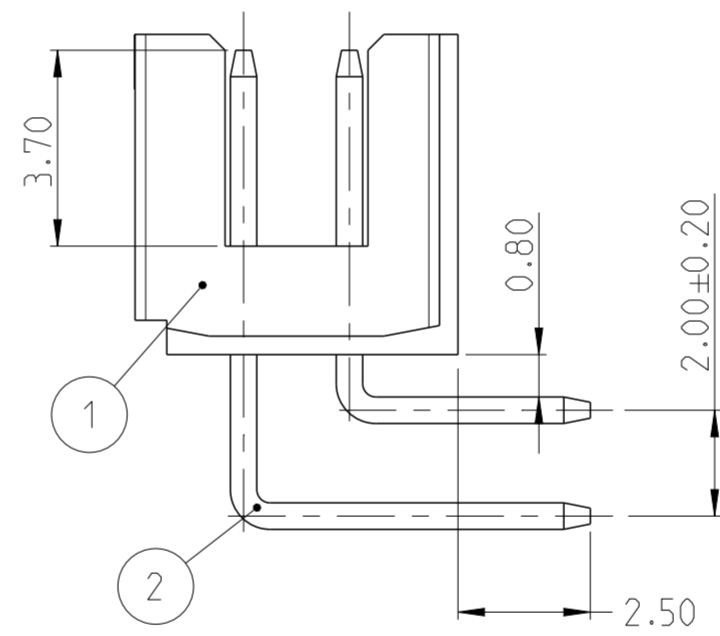
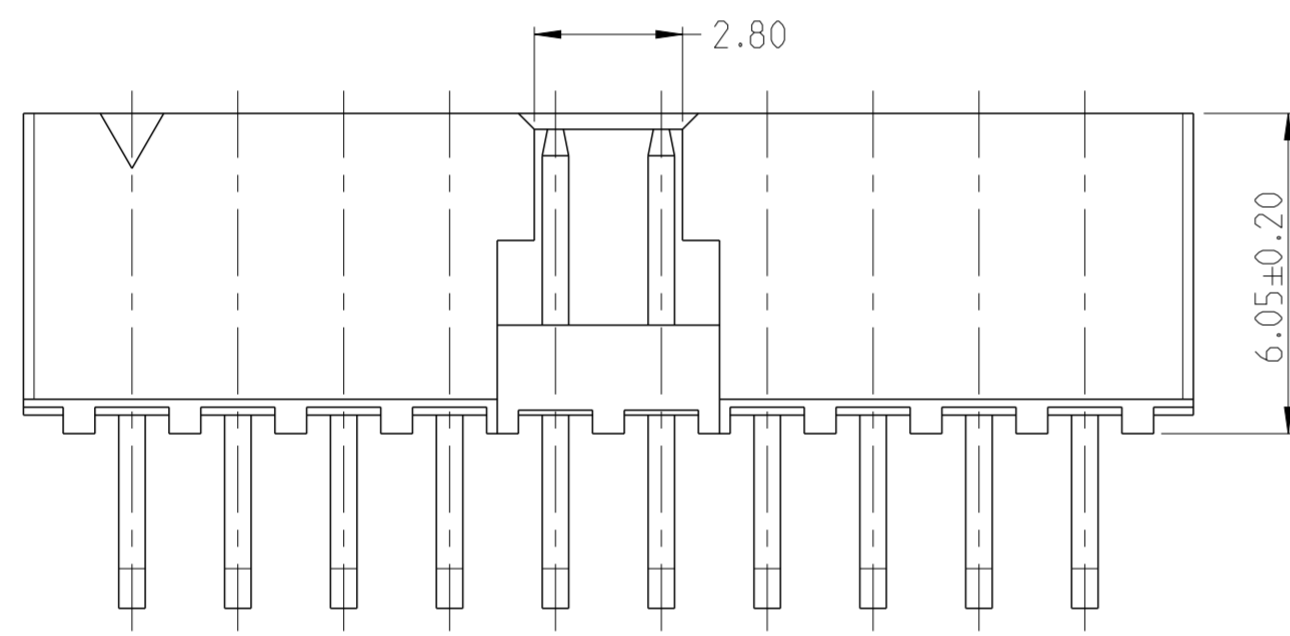


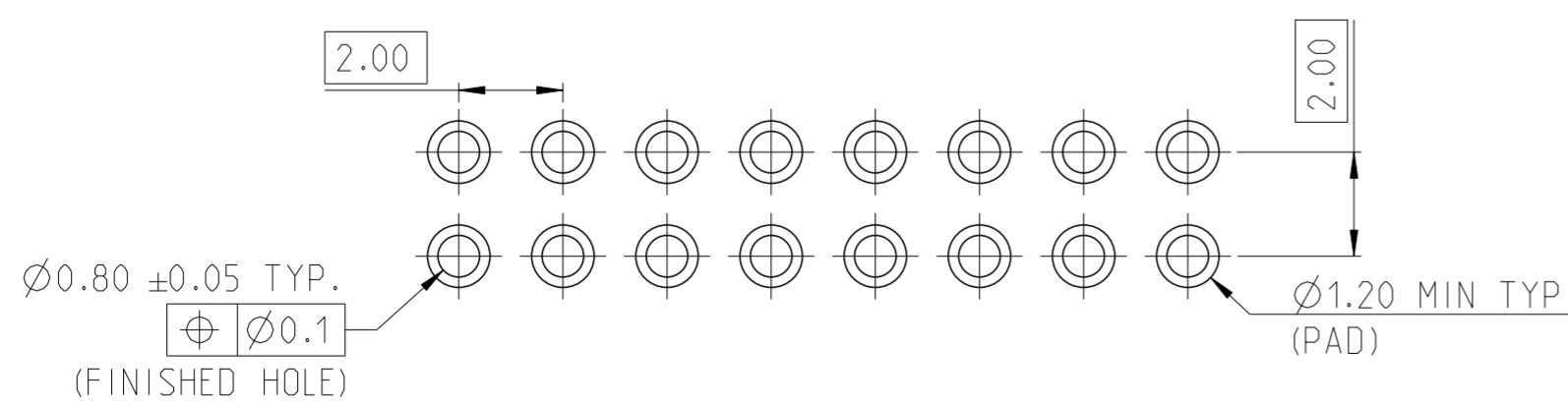
REVISIONS					
P	LTR	DESCRIPTION	DATE	DWN	APVD
A		RELEASE TO PRODUCTION	06DEC2019	AY	PS
A1		REMOVE POSITION 4	04JUN2020	AY	PS

NOTES:
 1. MATERIAL
 HOUSING : HIGH TEMPERATURE THERMOPLASTIC, UL94-V0; COLOR- BLACK
 POST : COPPER ALLOY
 FINISH : MIN. 2.0 µm TIN OVER NICKEL UNDER PLATING.
 2. PACKAGING: TAPE AND REEL.
 △ TOLERANCE NOT CUMULATIVE.



RECOMMENDED PCB HOLE PATTERN FOR THROUGH HOLE WAVE

2-2842269-0 AS SHOWN



RECOMMENDED PCB HOLE PATTERN FOR THROUGH HOLE REFLOW /PIN-IN-PASTE

52.10	51.40	50	5-2842269-0
50.10	49.40	48	4-2842269-8
48.10	47.40	46	4-2842269-6
46.10	45.40	44	4-2842269-4
44.10	43.40	42	4-2842269-2
42.10	41.40	40	4-2842269-0
40.10	39.40	38	3-2842269-8
38.10	37.40	36	3-2842269-6
36.10	35.40	34	3-2842269-4
34.10	33.40	32	3-2842269-2
32.10	31.40	30	3-2842269-0
30.10	29.40	28	2-2842269-8
28.10	27.40	26	2-2842269-6
26.10	25.40	24	2-2842269-4
24.10	23.40	22	2-2842269-2
22.10	21.40	20	2-2842269-0
20.10	19.40	18	1-2842269-8
18.10	17.40	16	1-2842269-6
16.10	15.40	14	1-2842269-4
14.10	13.40	12	1-2842269-2
12.10	11.40	10	1-2842269-0
10.10	9.40	8	2842269-8
8.10	7.40	6	2842269-6
DIM "F"	DIM "E"	POS.	TE PN

CONTACT PIN	2
HOUSING	1
DESCRIPTION	ITEM NO.

THIS DRAWING IS A CONTROLLED DOCUMENT.		DWN 29NOV2019 CHK ANKIT YADAV APVD 04DEC2019 PRASHANTH S.
DIMENSIONS: mm	TOLERANCES UNLESS OTHERWISE SPECIFIED:	NAME
0 PLC ± -	1 PLC ± -	108-64040
2 PLC ± 0.25	3 PLC ± -	114-32259
4 PLC ± -	ANGLES ± 2°	WEIGHT -
MATERIAL SEE NOTES	FINISH SEE NOTES	CUSTOMER DRAWING

STE TE Connectivity			
AMPMODU 2mm SHROUDED HEADER, DUAL ROW, RIGHT ANGLE, Sn, TR			
SIZE	CAGE CODE	DRAWING NO	RESTRICTED TO
A2	00779	2842269	-
SCALE	7:1	SHEET	1 OF 1
REV	A1		

单击下面可查看定价，库存，交付和生命周期等信息

[>>TE Connectivity\(泰科\)](#)