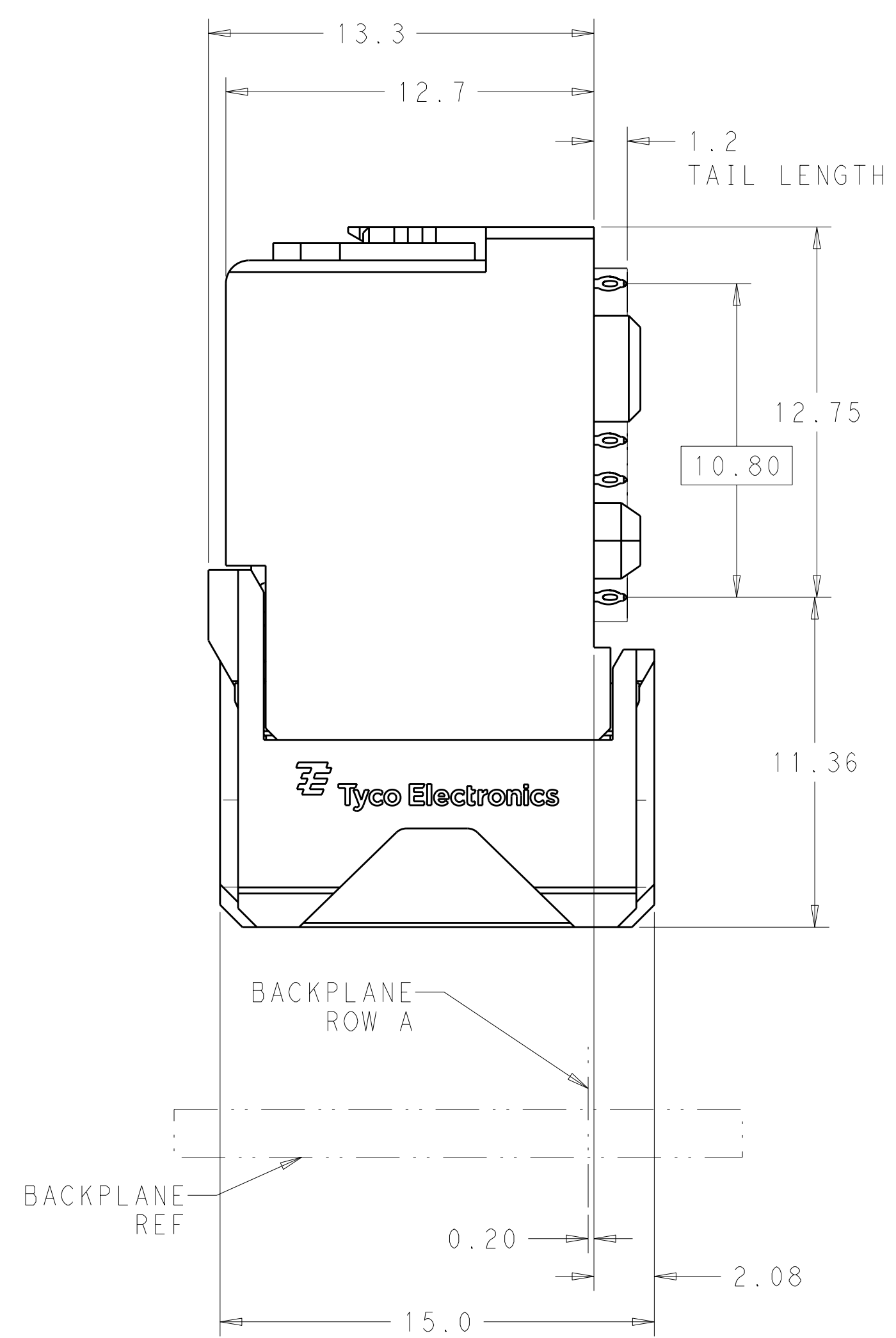
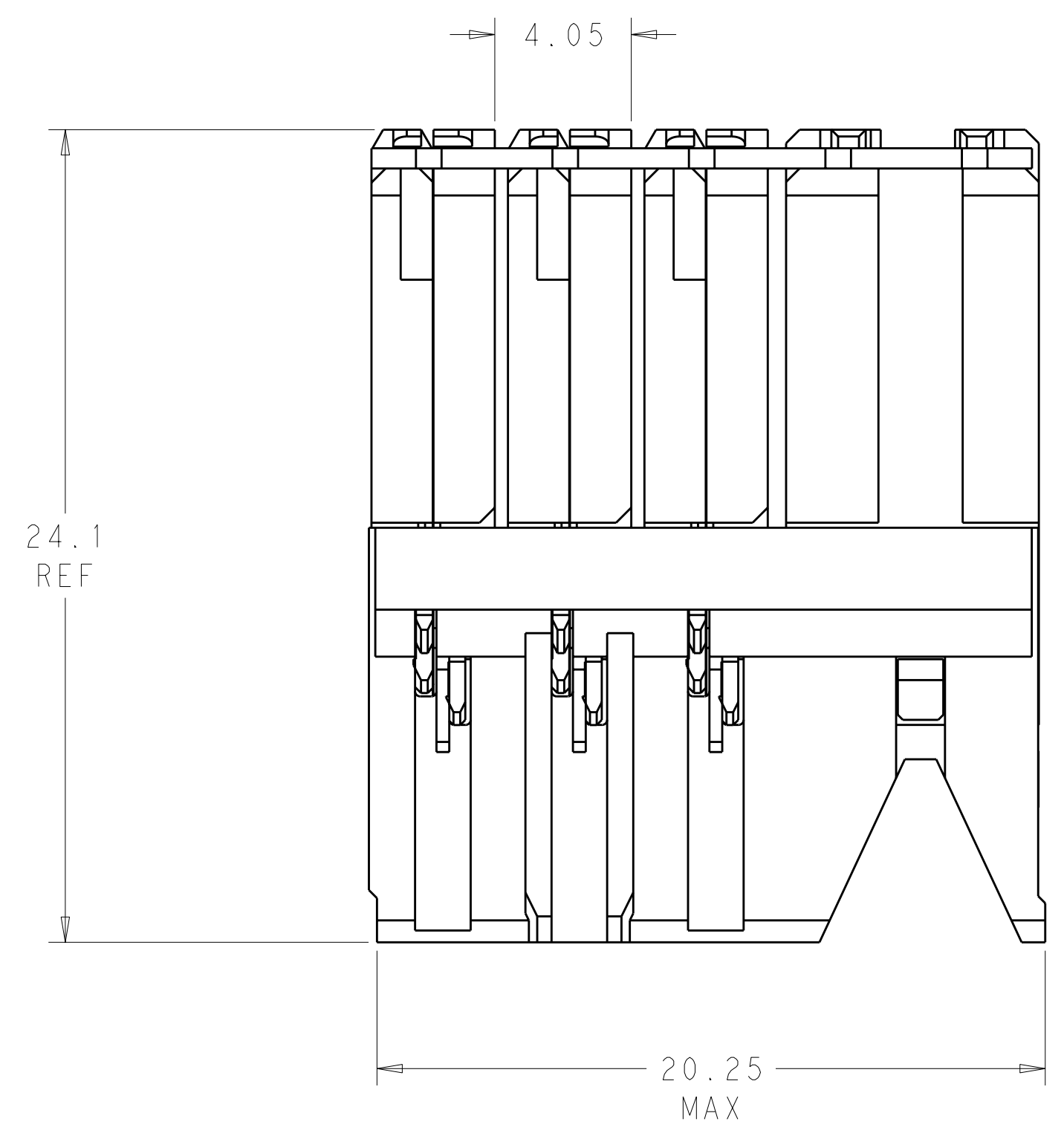
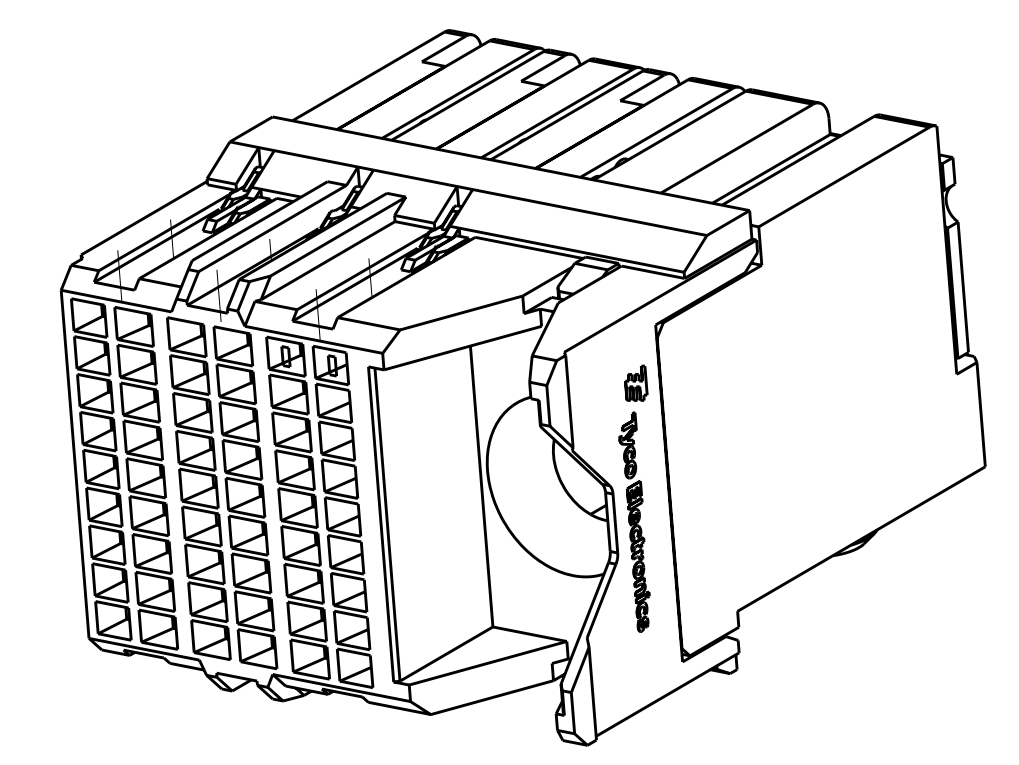


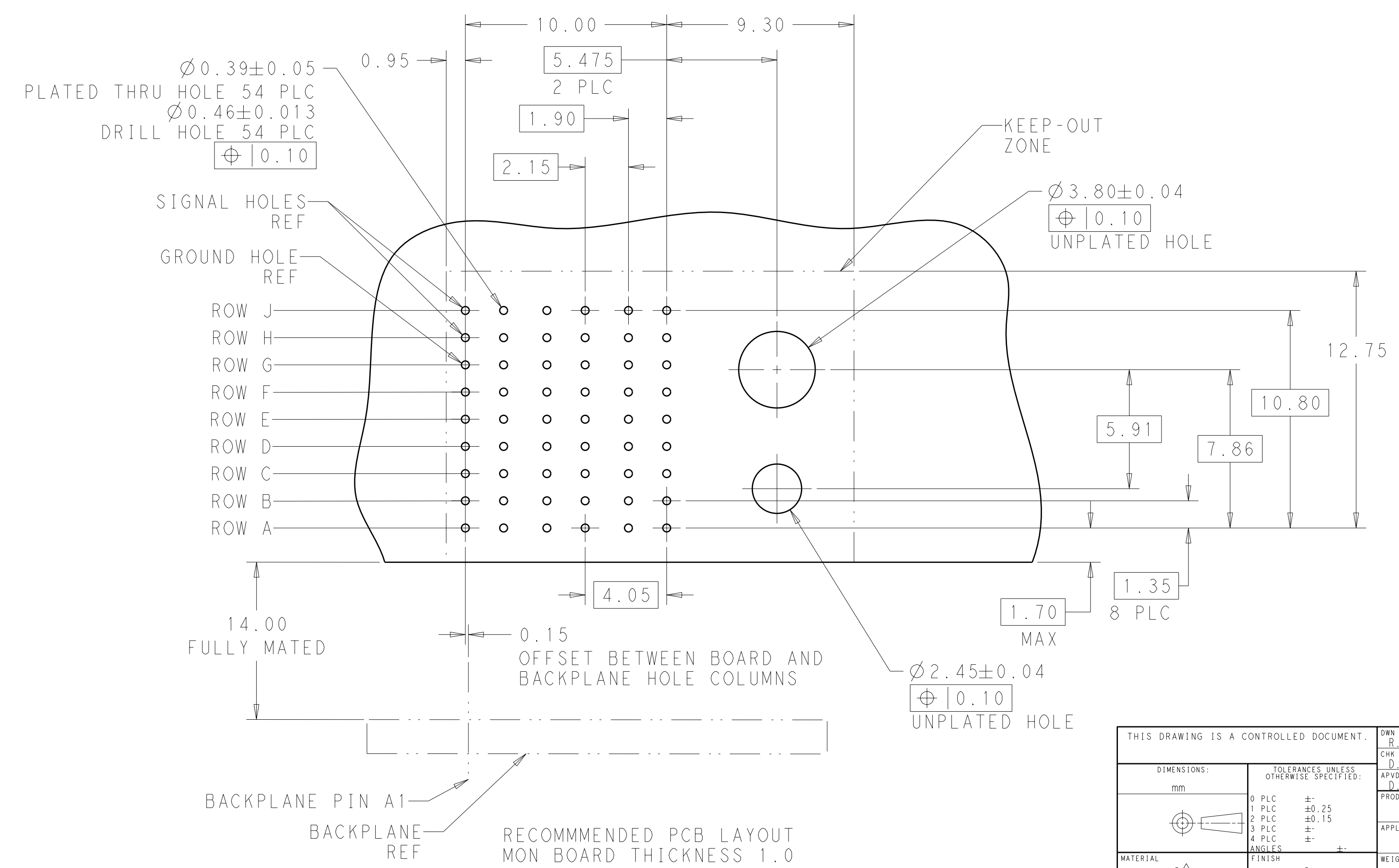
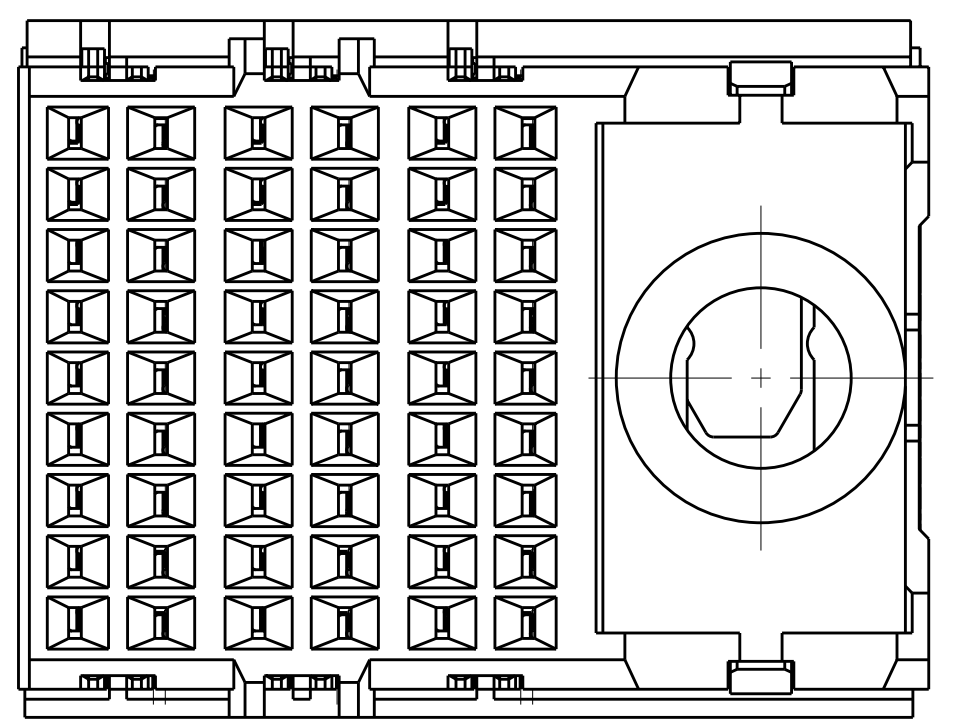
| LOC | DIST | REVISIONS |                           |           |       |
|-----|------|-----------|---------------------------|-----------|-------|
| AD  | 00   | REV       | DATE                      | DWN       | APVD  |
|     |      | B         | REVISED PER ECO-12-003566 | 11APR2012 | KH DD |



- 1 MATERIAL:  
HOUSING: LCP, GLASS FILLED, UL94V-0  
TERMINALS: HIGH PERFORMANCE COPPER ALLOY
- 2 FINISH:  
30u" SELECTIVE GOLD IN CONTACT AREA, SELECTIVE TIN ON PCB TAILS, NICKEL OVERALL
- 3. EACH SIGNAL WAFER CONTAINS 2 COLUMNS OF TERMINALS
- 4 FINISH:  
30u" SELECTIVE GOLD IN CONTACT AREA, SELECTIVE TIN-LEAD ON PCB TAILS, NICKEL OVERALL



SCALE 4:1



|        |             |
|--------|-------------|
| 4      | 2132423-5   |
| 2      | 2132423-1   |
| FINISH | PART NUMBER |

|  |  |                             |  |           |              |               |
|--|--|-----------------------------|--|-----------|--------------|---------------|
| THIS DRAWING IS A CONTROLLED DOCUMENT.   |  | DWN R. GRZYBOWSKI Z0DEC2011 | TE Connectivity  |           |              |               |
| DIMENSIONS: mm   |  | CHK D. DIXON Z0DEC2011      | <b>STE</b><br>MAPCT, 3 PR., 6 COL., DAUGHTERCARD,<br>RIGHT GUIDED SIGNAL MODULE<br>0.39 EYELET, ORTHOGONAL |           |              |               |
| TOLERANCES UNLESS OTHERWISE SPECIFIED:<br>9 PLC ±<br>3 PLC ±0.25<br>5 PLC ±0.15<br>4 PLC ±<br>ANGLES ± |  | APVD D. DIXON Z0DEC2011     |  |           |              |               |
| MATERIAL   |  | PRODUCT SPEC                | SIZE   | CAGE CODE | DRAWING NO.  | RESTRICTED TO |
| FINISH   |  | APPLICATION SPEC            | A100779  | C=2132423 |              |               |
| CUSTOMER DRAWING   |  | WEIGHT                      | SCALE 6:1  |           | SHEET 1 OF 1 | REV B         |

单击下面可查看定价，库存，交付和生命周期等信息

[>>TE Connectivity\(泰科\)](#)