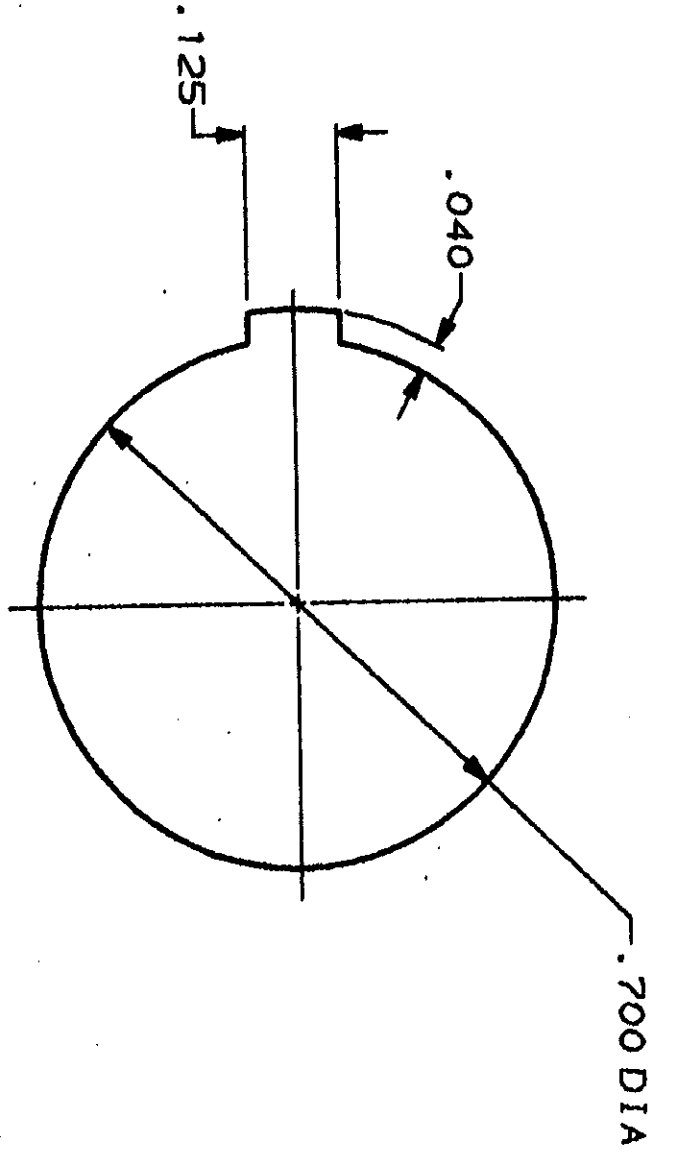
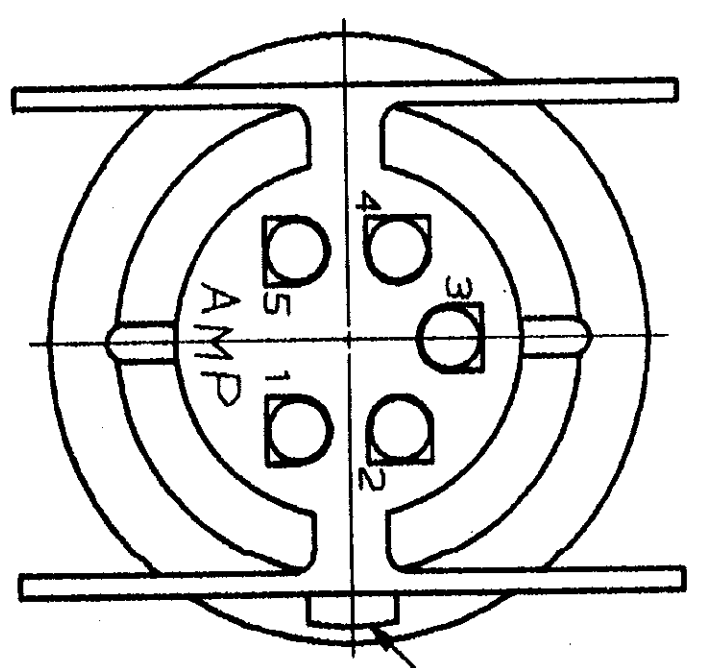
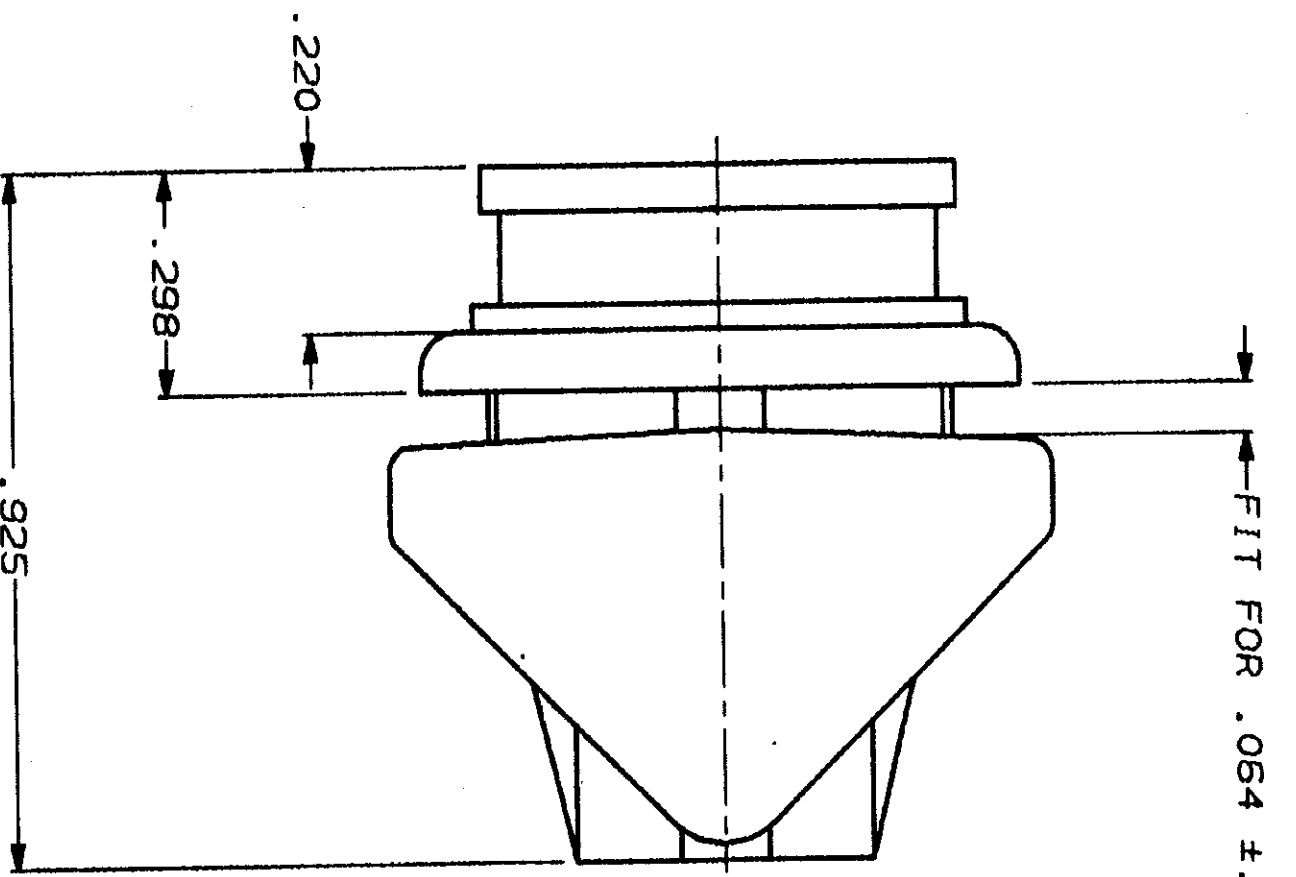
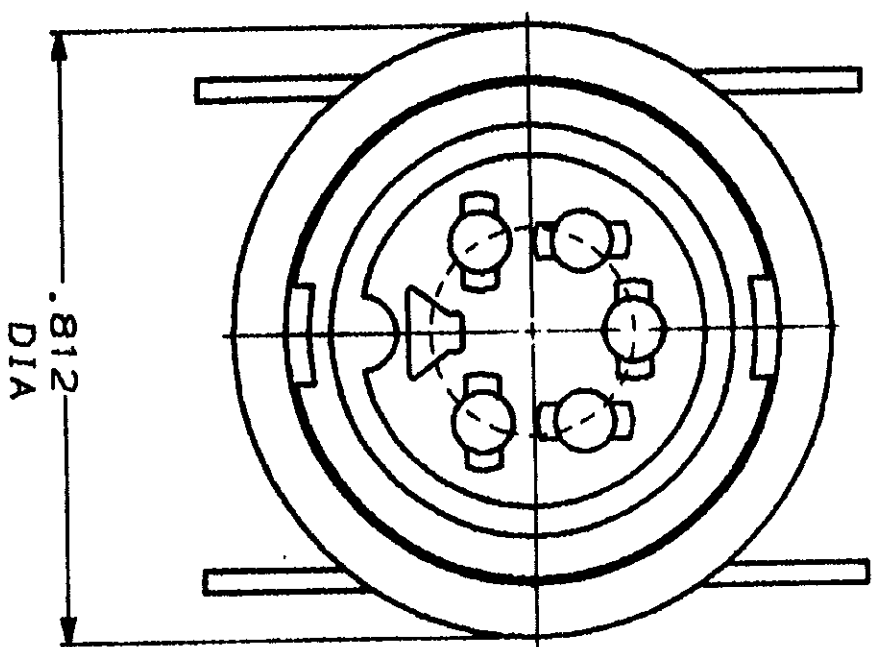


DRAWING MADE IN THIRD ANGLE PROJECTION
 THIS DRAWING IS UNPUBLISHED. RELEASED FOR PUBLICATION
 BY AMP INCORPORATED. ALL INTERNATIONAL RIGHTS RESERVED. © 19

REV	DATE	BY	DESCRIPTION	DATE	APPD
23	BD	39			
			REDRAWN		



RECOMMENDED PANEL CUT-OUT
 1. HOUSING TO BE INSERTED FROM PUNCHED SIDE OF PANEL.

DO NOT SCALE PRINT. UNLESS SPECIFIED DIMENSIONS IN INCHES TOLERANCES ON:		DR	9/5/90	NAME	AMP
1. ±.005		CHK	A. STAB BS	AMP Incorporated	
2. ±.005		APPD	S-30-91	Harrisburg, PA 17105-3608	
3. ±.005		APPD	6-3-91		
MATERIAL		APPD	K. Blawie		
THERMOPLASTIC		APPD	9/2/90		
COLOR-BLACK		PRODUCT SPEC	9/2/90		
FINISH		APPLICATION SPEC			
		SCALE	4:1		
		SIZE	CAGE CODE	DRAWING NO	
			00779	207487	
		WEIGHT		SHEET 1 OF 1	

207487-1
 PART NO

207487

CUSTOMER DRAWING

单击下面可查看定价，库存，交付和生命周期等信息

[>>TE Connectivity\(泰科\)](#)