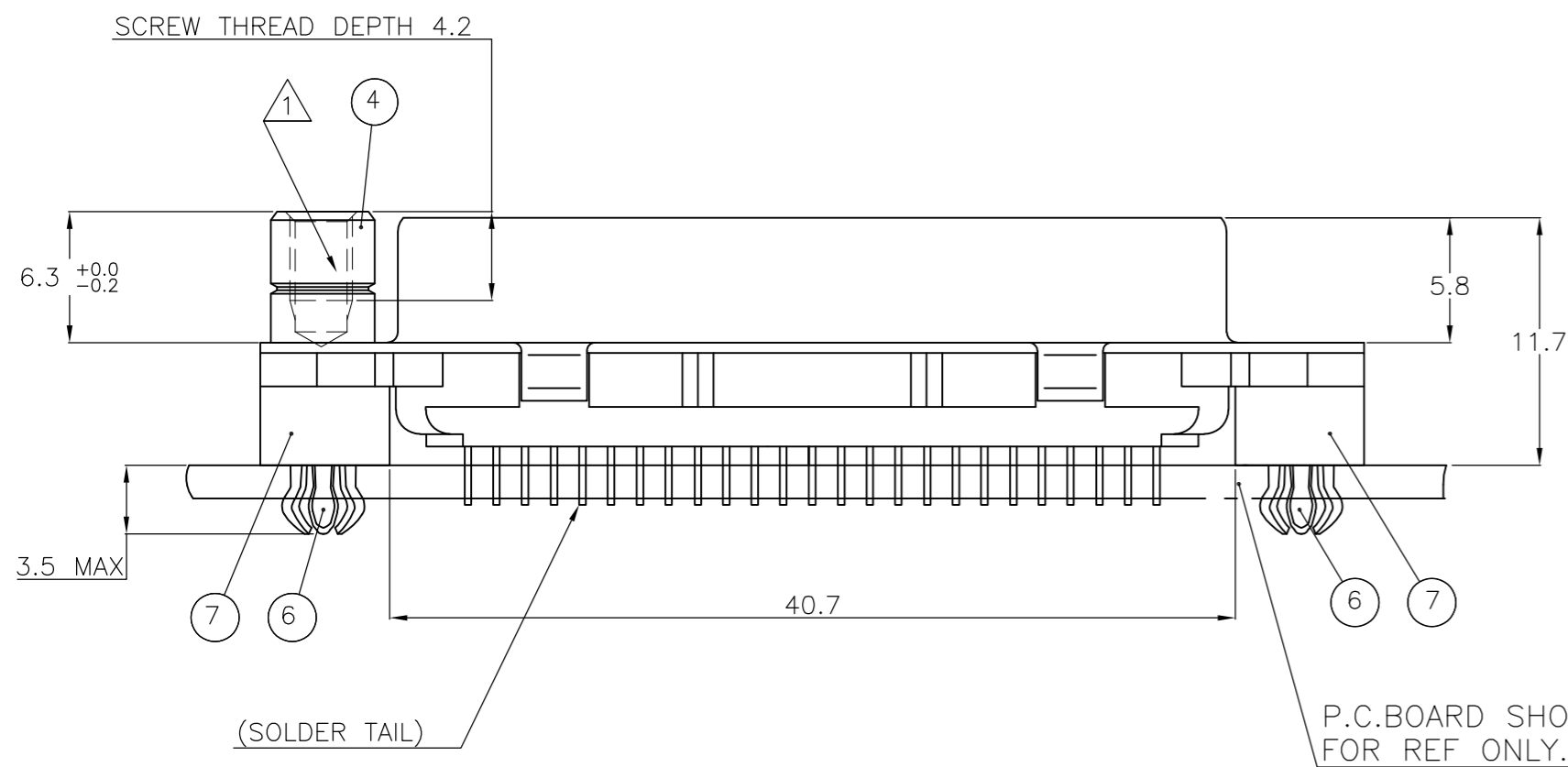
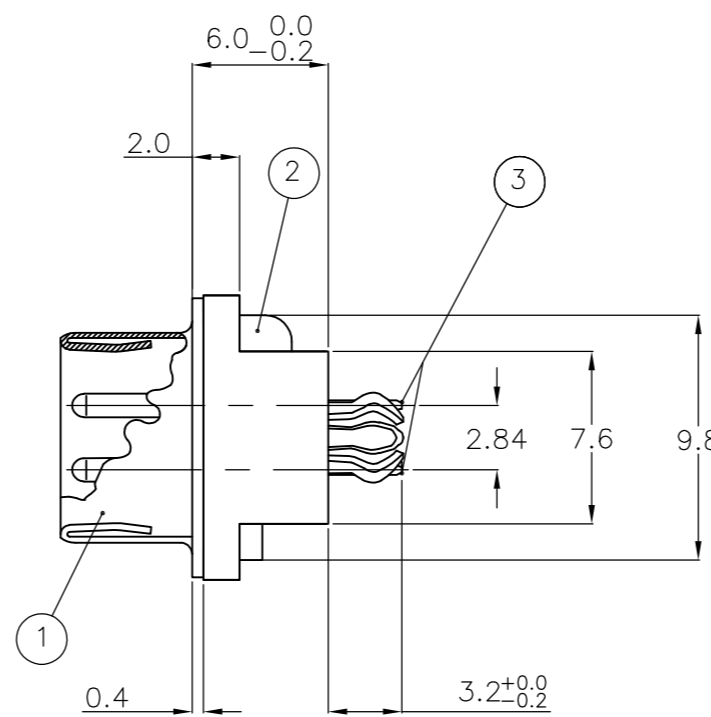
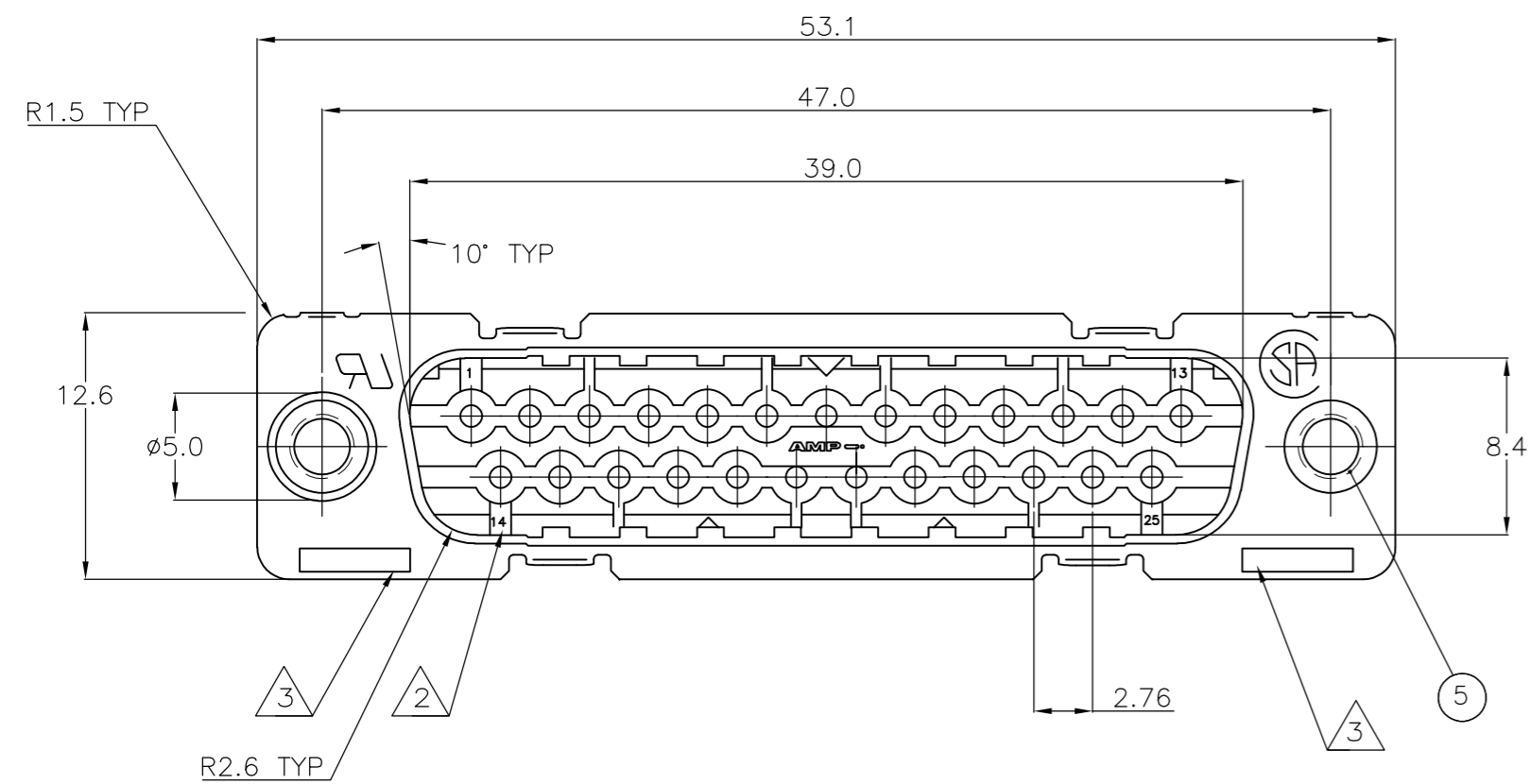


THIS DRAWING IS UNPUBLISHED. RELEASED FOR PUBLICATION
 © COPYRIGHT - By - ALL RIGHTS RESERVED.

LOC	DIST	REVISIONS			
P	LTR	DESCRIPTION	DATE	DWN	APVD
GP	00	REVISED PER ECO-12-009966	06JUN2012	CJV	SLB

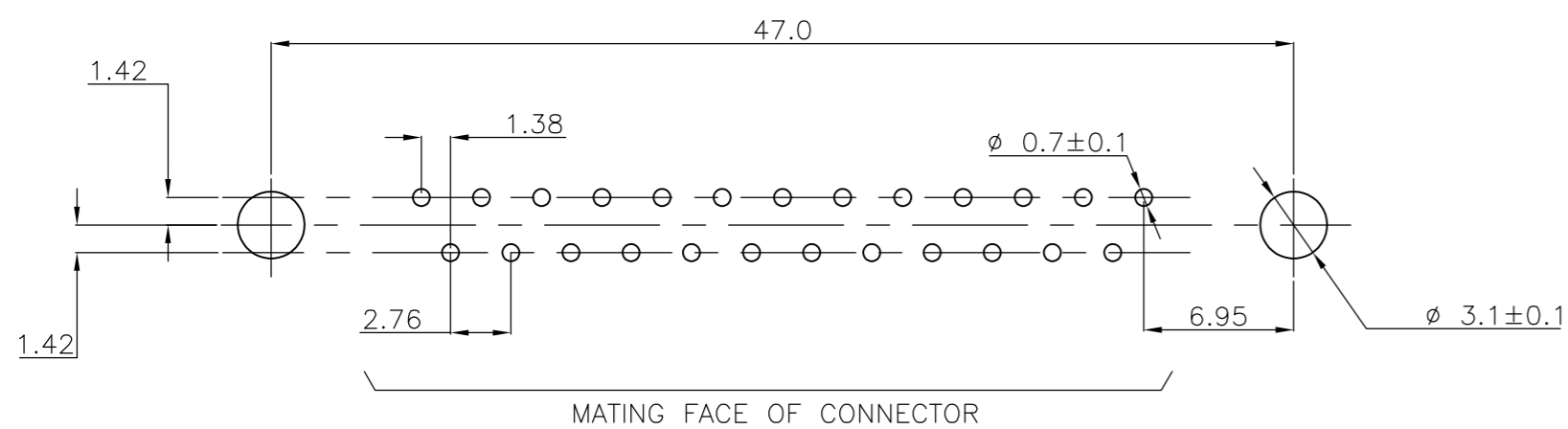


ACCESSORIES	ITEM NO	DESCRIPTION OF ACCESSORY	1	2	3	4	5	6	7	8	9
5	5	BUSHING WITH THROUGH HOLE ϕ 3.1									
5	5	BUSHING WITH THREAD 4-40 UNC		2						2	
5	5	BUSHING WITH THREAD M3			2						2
4	4	FEMALE SCREWLOCK WITH THREAD 4-40 UNC				2					2
4	4	FEMALE SCREWLOCK WITH THREAD M3					2				2
6	6	BOARDLOCK		2	2	2	2				

1-338311-2											
2-338311-2											
3-338311-2											
4-338311-2											
5-338311-2											
6-338311-2											
7-338311-2											
8-338311-2											OBSOLETE
9-338311-2											OBSOLETE

- △ GROOVE INDICATES VERSION WITH 4-40 UNC INNER THREAD; WITHOUT GROOVE INDICATES VERSION WITH M3 INNER THREAD.
- △ CAVITY IDENTIFICATION AT FRONT SIDE ONLY.
- △ PART NUMBER AND DATE CODE.
- 4. WHEN BOARDLOCKS ARE USED, CONNECTOR CAN BE USED FOR PCB THICKNESS OF 1.6 ONLY.
- 5. SHELL HAS 2x8 GROUNDING SPRINGS; PITCH IS 3.6.
- 6. AIR AND CREEPAGE DISTANCES ACCORDING TO DIN 41652.
- 7. GOLD FLASH OVER PALLADIUM-NICKEL PLATE OR GOLD PLATE ON THE MATING SURFACES, TIN PLATE ON THE SOLDER-TAILS, NICKEL UNDERPLATE ON THE ENTIRE CONTACT. MATING SURFACE FINISH MEETS LEVEL 2 PERFORMANCE PER DIN 41652.

RECOMMENDED P.C. BOARD HOLE-LAYOUT



ITEM NO/MATERIAL :

- ① SHELL : BRIGHT TIN PLATED STEEL
- ② HOUSING : GLASS FILLED POLYESTER, COLOR : BLACK
- ③ CONTACTS : PHOSPHOR BRONZE (PLATING : SEE NOTES ABOVE)
- ④ FEMALE SCREWLOCK : TIN PLATED STEEL (INNER THREAD 4-40 UNC OR M3)
- ⑤ BUSHING : TIN PLATED STEEL (INNER THREAD 4-40 UNC OR M3 OR 3,1 DIA. THROUGH HOLE)
- ⑥ BOARDLOCK : TIN PLATED PHOSPHOR BRONZE
- ⑦ STAND-OFF : GLASS FILLED NYLON COLOR : BLACK

THIS DRAWING IS A CONTROLLED DOCUMENT. DIMENSIONING AND TOLERANCING PER ASME Y14.5M-2009		DWN J.v.LIEMPT 03JUL97	TE Connectivity	
DIMENSIONS: mm		CHK C.SOUISA	NAME	
TOLERANCES UNLESS OTHERWISE SPECIFIED:		APVD E.LEIJTENS	HDP-20 SIZE 3 VERTICAL+ PLUG HEADER; WITH SOLDER CONTACTS	
0 PLC ± -	1 PLC ± 0.3	PRODUCT SPEC	SIZE A2	CAGE CODE 00779
2 PLC ± 0.15	3 PLC ± -	APPLICATION SPEC	DRAWING NO C=338311	RESTRICTED TO
4 PLC ± -	ANGLES ± -	WEIGHT -	SCALE NTS	SHEET 1 OF 1
MATERIAL -	FINISH -	CUSTOMER DRAWING	REV G	

单击下面可查看定价，库存，交付和生命周期等信息

[>>TE Connectivity\(泰科\)](#)

[>>点击查看相关商品](#)