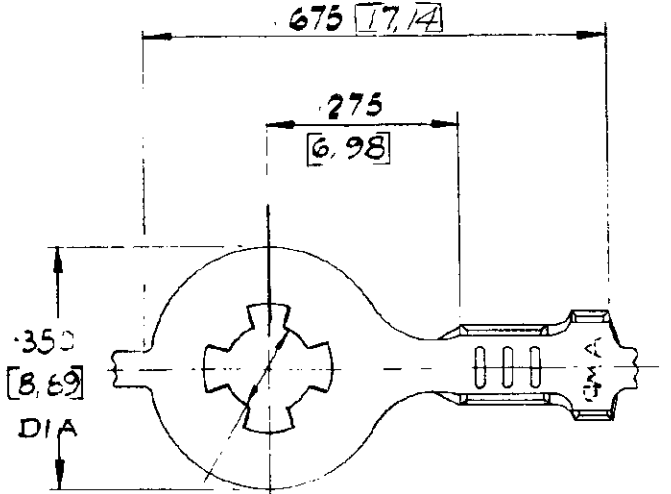


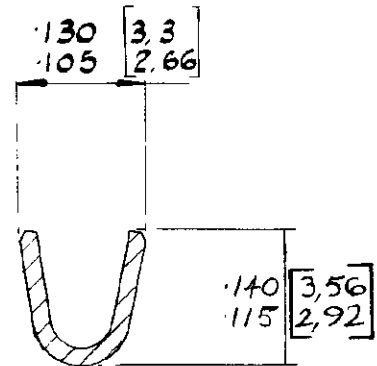
NUMBER
C 154672

3rd ANGLE (AMERICAN) PROJECTION

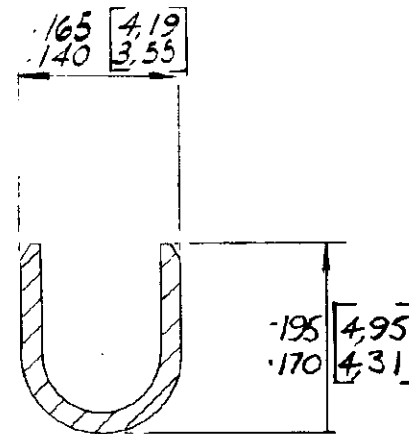
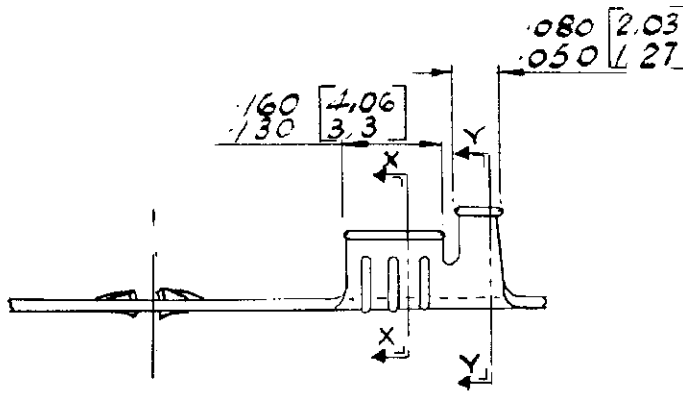
DIMENSIONS IN INCHES. DO NOT SCALE PRINT
DIMENSIONS THUS [] IN MM.



STUD HOLE .122 [3,09] DIA.
(TO SUIT 3MM STUD)



SECTION X-X
SCALE 6:1



SECTION Y-Y
SCALE 6:1

154672-3	STEEL	NICKEL
154672-2	STEEL	ELECTRO-TIN
154672-1	STEEL	NONE
PART NO	MATERIAL	FINISH

NOTE:-
INSULATION RANGE .120 [3,05] DIA.

© AMP of GREAT BRITAIN LTD 1974

CUSTOMER COPY REFERENCE ONLY

MATERIAL AND FINISH
.018 [0,46] THICK
SEE TABLE

AMP of Great Britain Ltd

TERMINAL HOUSE, STANMORE, MIDDX.

CLASS

0 RELEASED FOR PRODUCTION PS 19/12/74

WIRE - RANGE - INSULATION
20-16 SEE NOTE

TOLERANCE EXCEPT AS NOTED
± 015 [0,38] ± 1°

SCALE 4:1

LOC E NO A C154672

TYPE

REV

PRINT. DIST.

LTR REVISION RECORD DR CHK DATE

DR C.E. SLOUGH 12/6/74 DE

CHK B. SMITH 10/6/74 APP

NAME SHAKE PROOF RING TONGUE

[PART NO WAS CP74-13442]

GAF 9245/70

单击下面可查看定价，库存，交付和生命周期等信息

[>>TE Connectivity\(泰科\)](#)