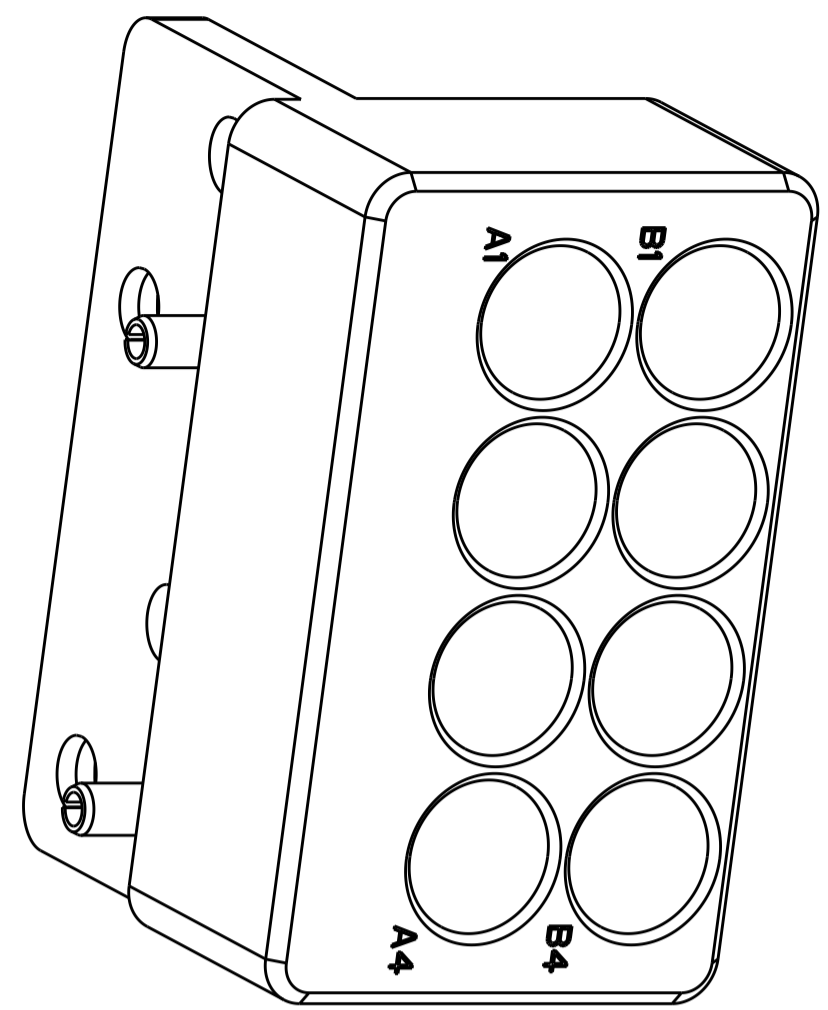
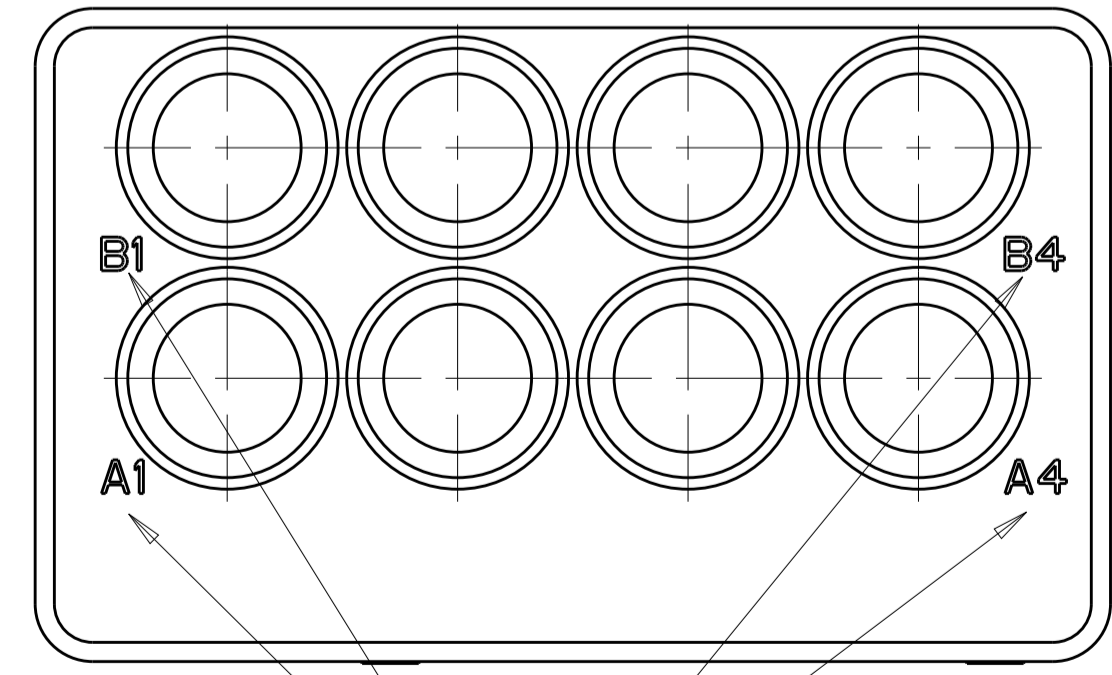
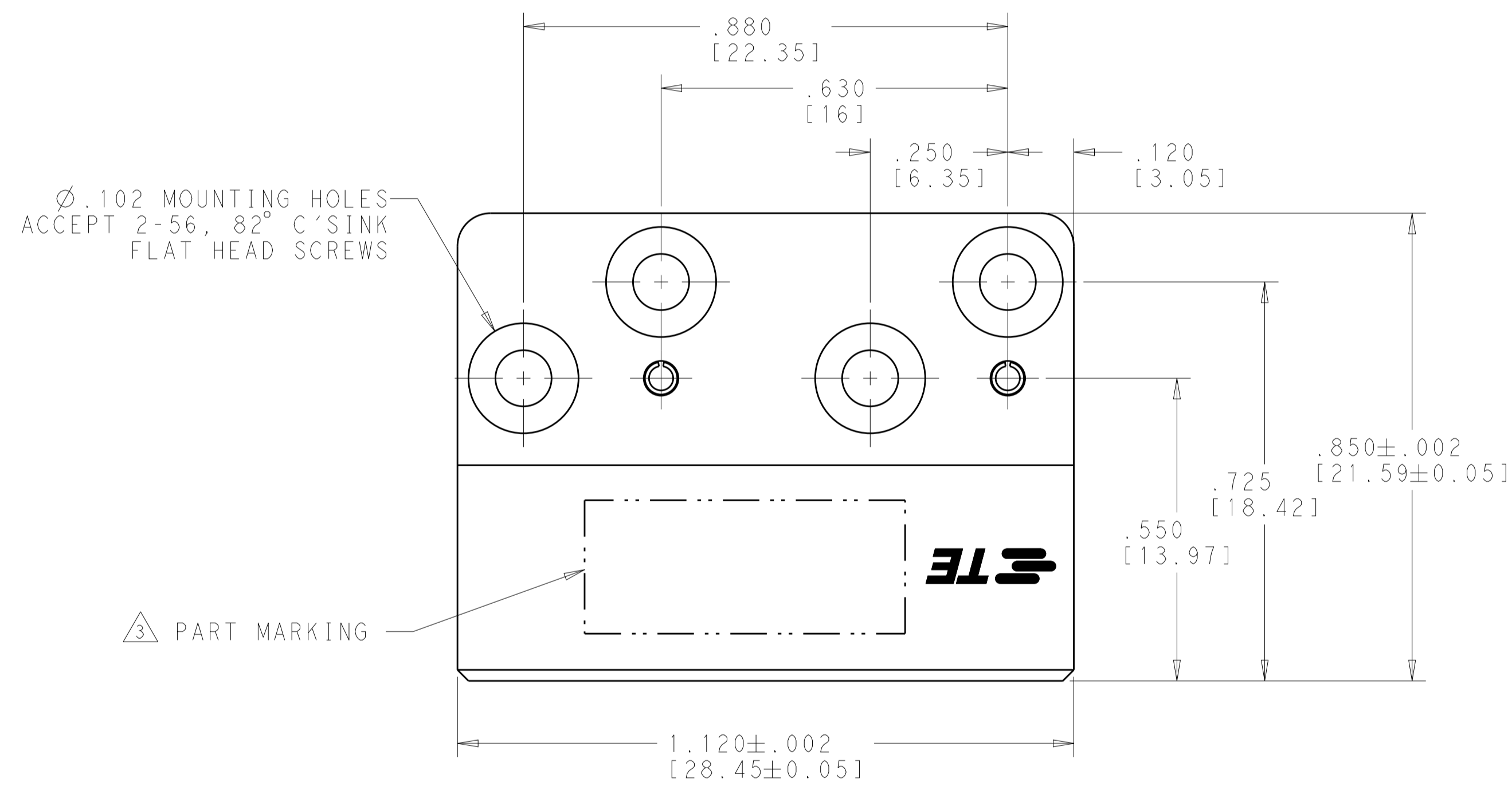
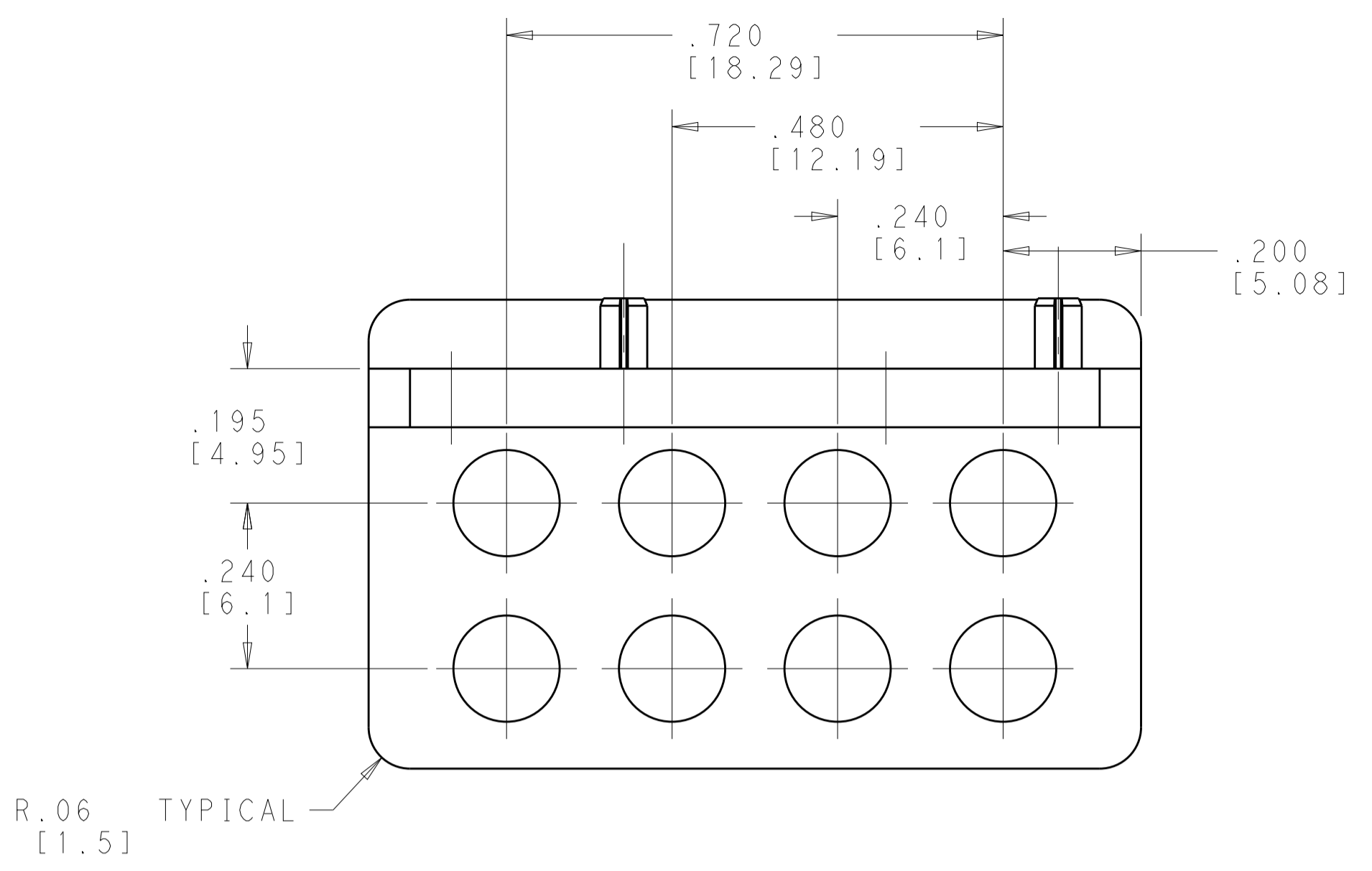
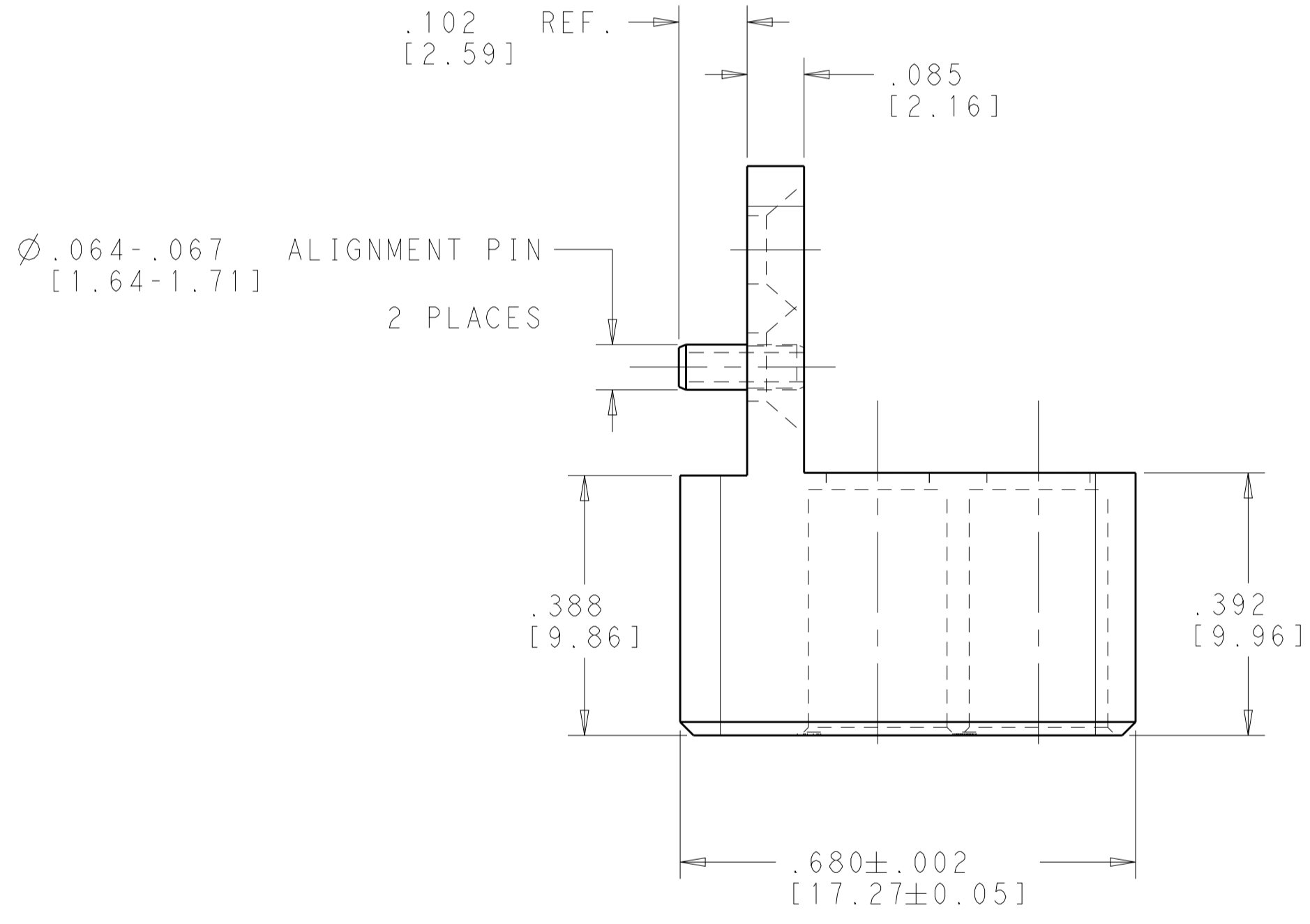


LOC	DIST	REV	DATE	BY	APP'D
-	-	M	12-12-16	CT	DW



SCALE 4:1



- 1 MATERIAL:
MODULE BODY - STAINLESS STEEL, PER UNS S30300
SPRING PINS - WORK HARDENED NICKEL STAINLESS STEEL
- 2 FINISH:
MODULE BODY & SPRING PINS - PASSIVATED
- 3 PART MARKING:
TE CONNECTIVITY PART NUMBER, CAGE CODE AND DATE CODE
- 4 CAVITY IDENTIFICATION MARKING

1996705-4	3 4	1996705-4
-----	-----	1996705-3
P/N MARKING	MARKING REQUIREMENT	PART NUMBER

THIS DRAWING IS A CONTROLLED DOCUMENT.

DIMENSIONS: [INCHES/mm]	TOLERANCES UNLESS OTHERWISE SPECIFIED:	0 PLC ±.1	1 PLC ±.1	2 PLC ±.01	3 PLC ±.001	4 PLC ±.0005	ANGLES ±1.0°
MATERIAL	FINISH	WEIGHT	1.045 oz	SCALE	5:1	SHEET	1 OF 1

APPROVED: S.T. Morley 01MAY2007
 CHECKED: S.T. Morley 01MAY2007
 NAME: 8 POSITION R.F. MODULE, P.C.B. MOUNT VITA 67 DAUGHTER CARD
 SIZE: A1
 CAGE CODE: 1996705
 CUSTOMER DRAWING

单击下面可查看定价，库存，交付和生命周期等信息

[>>TE Connectivity\(泰科\)](#)