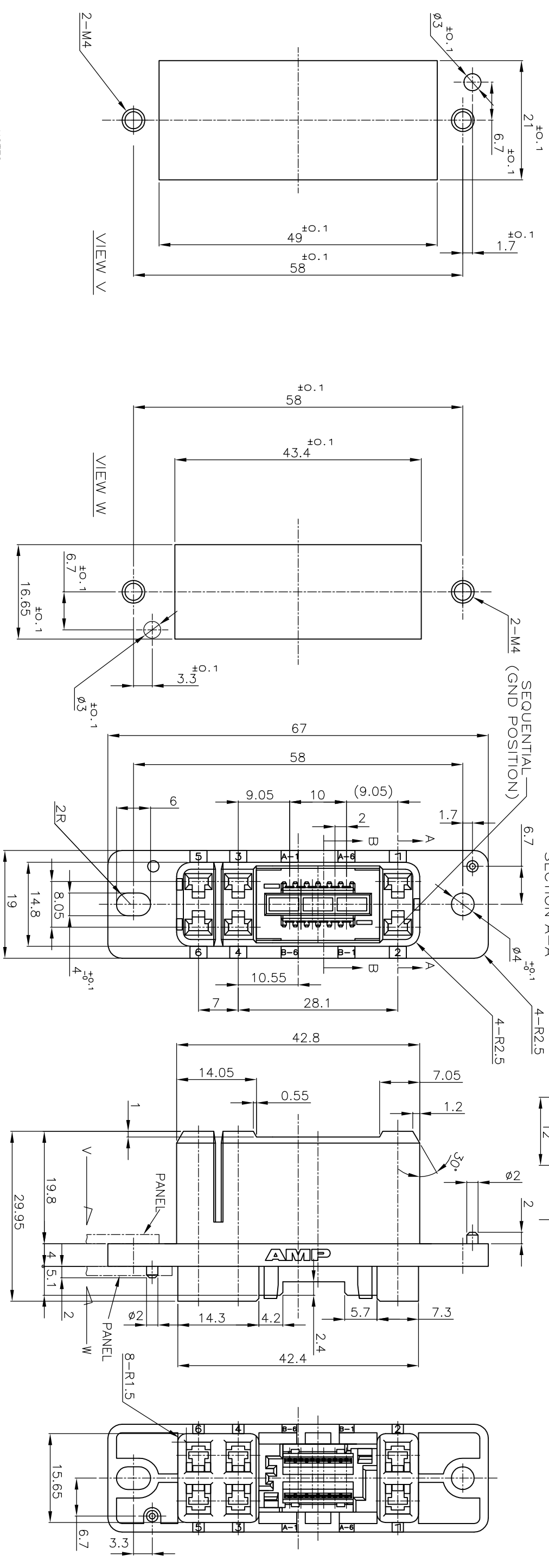


PANEL CUT DIMENSIONS



- NOTES
1. MATERIAL
HOUSING: THERMO PLASTIC
CONTACT: COPPER ALLOY
 2. CONTACT FINISH
MATING SIDE: NICKEL PL. ALL OVER GOLD PL.
CT MATING SIDE: NICKEL PL. ALL OVER MATTE TIN PL.
 3. APPLIED POWER CONTACT P/N
 4. APPLIED GND CONTACT P/N

FINISH	AWG	STRIP	LOOSE PIECE
GOLD PL.	#16~20	179316-4	
PL.	#20~24	179317-4	
TIN	#16~20	1-179316-2	
PL.	#20~24	1-179317-2	

P: NUMBER OF POWER AND GND CONTACT (UNLOADED)
 S: NUMBER OF SIGNAL CONTACT (PRELOADED)

LOC	DIST	REV	DESCRIPTION	DATE	BY	APP'D
ES	00					
B1		REVISED	ECR-06-021277	05SEP06	C.Z	S.Y

I.D.C TYPE	CRIMP TYPE	CRIMP P/N	POS	P/N
1-175133-2	173977-6	CRIMP: 1-179472-2 CONT: 179227-1 HSG: 179228-6	6-12	1-292186-2
APPLIED CT HOLDER P/N	APPLIED CTCONN P/N	APPLIED CT HOLDER P/N	MATING COUNTER P/N	

THIS DRAWING IS A CONTROLLED DOCUMENT.
 Tyeo Electronics Corporation
 Shanghai, P.R.China, 200233

APPROVED	DATE	BY	APP'D	DATE	BY	APP'D
OK		J.JIANG	OK		S.YAO	
APPROVED		T.SASAKI	APPROVED			

RECEPTACLE ASSEMBLY 18P(6-12) SEQUENTIAL TYPE
 HYBRID MINI DRAWER CONNECTOR (IC-950)

SIZE: A2
 QAGE CODE: 00779
 DRAWING NO: 292186

SCALE: 2:1
 SHEET: 1 OF 1
 REV: B1

单击下面可查看定价，库存，交付和生命周期等信息

[>>TE Connectivity\(泰科\)](#)