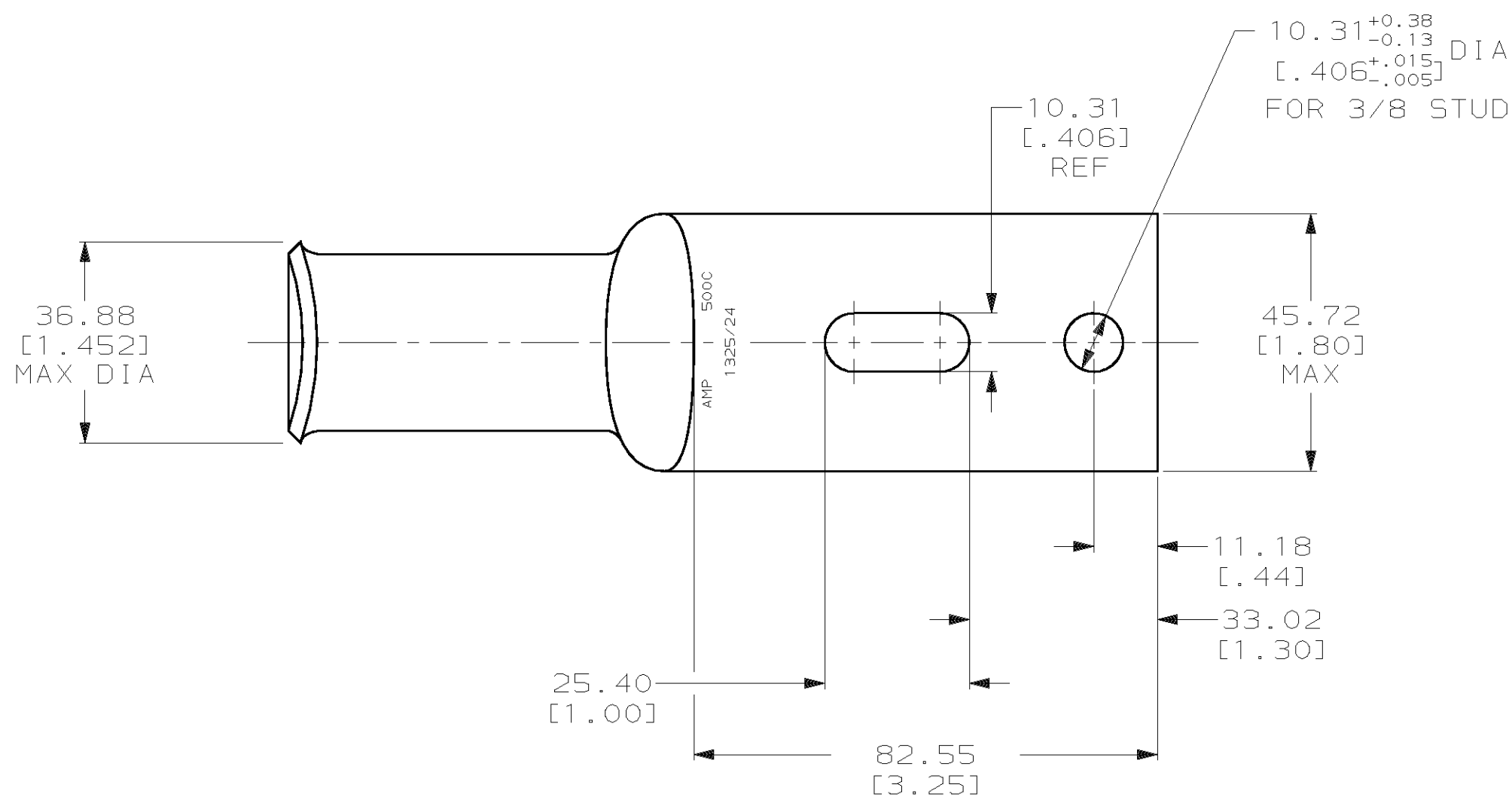
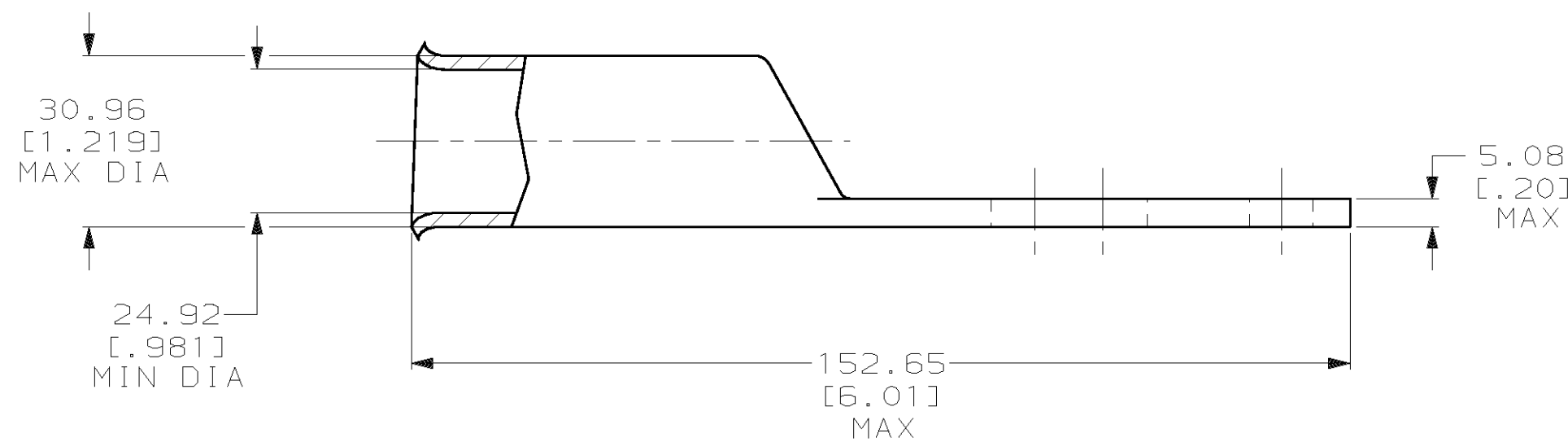


THIS DRAWING IS UNPUBLISHED. RELEASED FOR PUBLICATION
 © COPYRIGHT 19 BY AMP INCORPORATED. ALL INTERNATIONAL RIGHTS RESERVED.

LOC		DIST		REVISIONS				DATE	APPD
ZONE	LTR	DESCRIPTION	DATE	APPD					
G	86	P	F	C	REV PER 063A-0561-01	07OCT02	JR/MS		



1 CIRCULAR MIL AREA RANGE: 450-550 MCM
 2 TIN PL 0.00381 [.000150] MIN THK PER MIL-T-10727



276964-1

PART NO

DO NOT SCALE PRINT.
 UNLESS SPECIFIED
 DIMENSIONS IN mm [INCHES]
 TOLERANCES ON :
 2 PLC DEC ± 0.51 [.020]
 3 PLC DEC ± -
 ANGLES ± -

DR 03/09/90
 DK SCHRUM
 CHK 24JAN95
 MS FEHER

APPD 24JAN95
 WJ VOCKROTH
 APPD 24JAN95
 TL SHUTTER

AMP AMP INCORPORATED
 Harrisburg, Pa. 17105

NAME
 TERMINAL, AMPPOWER,
 WIRE SIZE: 500 MCM

MATERIAL
 ANNEALED COPPER
 ASTM B-75

PRODUCT SPEC
 108-30200

SIZE C CAGE CODE 00779 DRAWING NO 276964
 SCALE 1:1 SHEET 1 OF 1

FINISH
 APPLICATION SPEC -
 WEIGHT -



单击下面可查看定价，库存，交付和生命周期等信息

[>>TE Connectivity\(泰科\)](#)