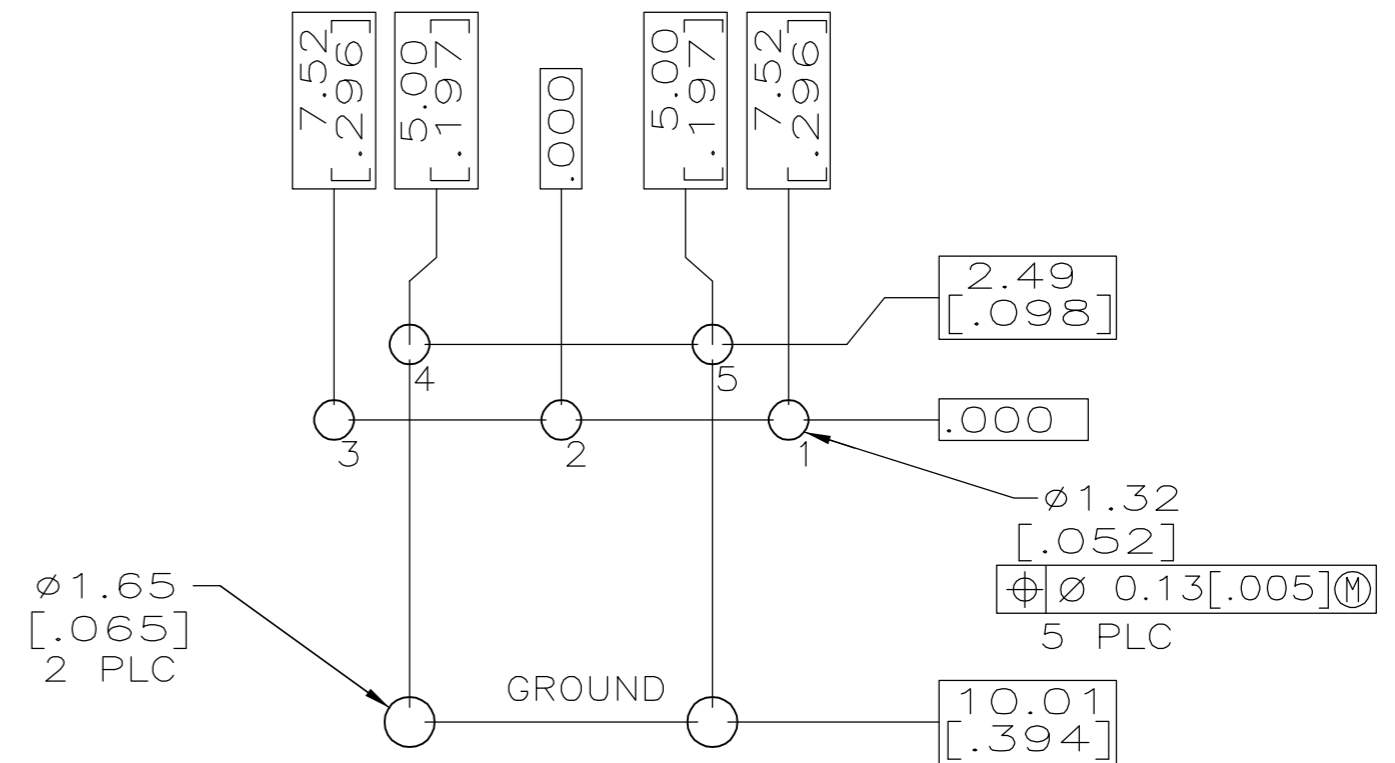
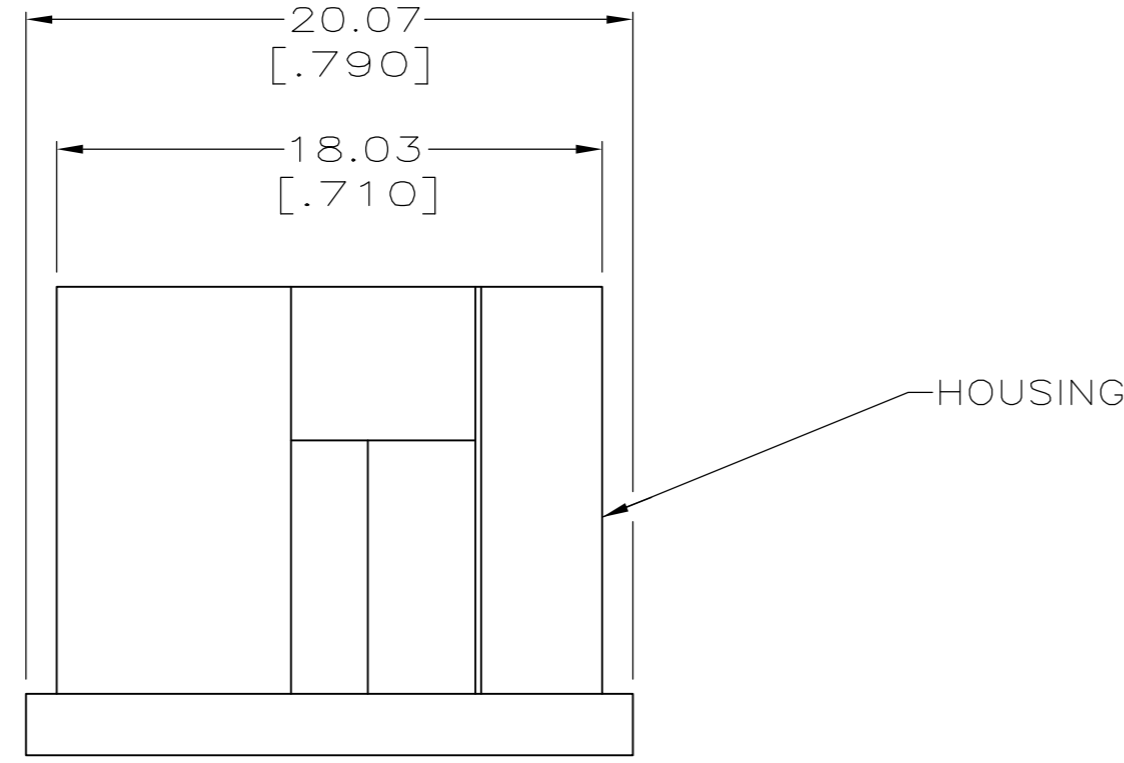
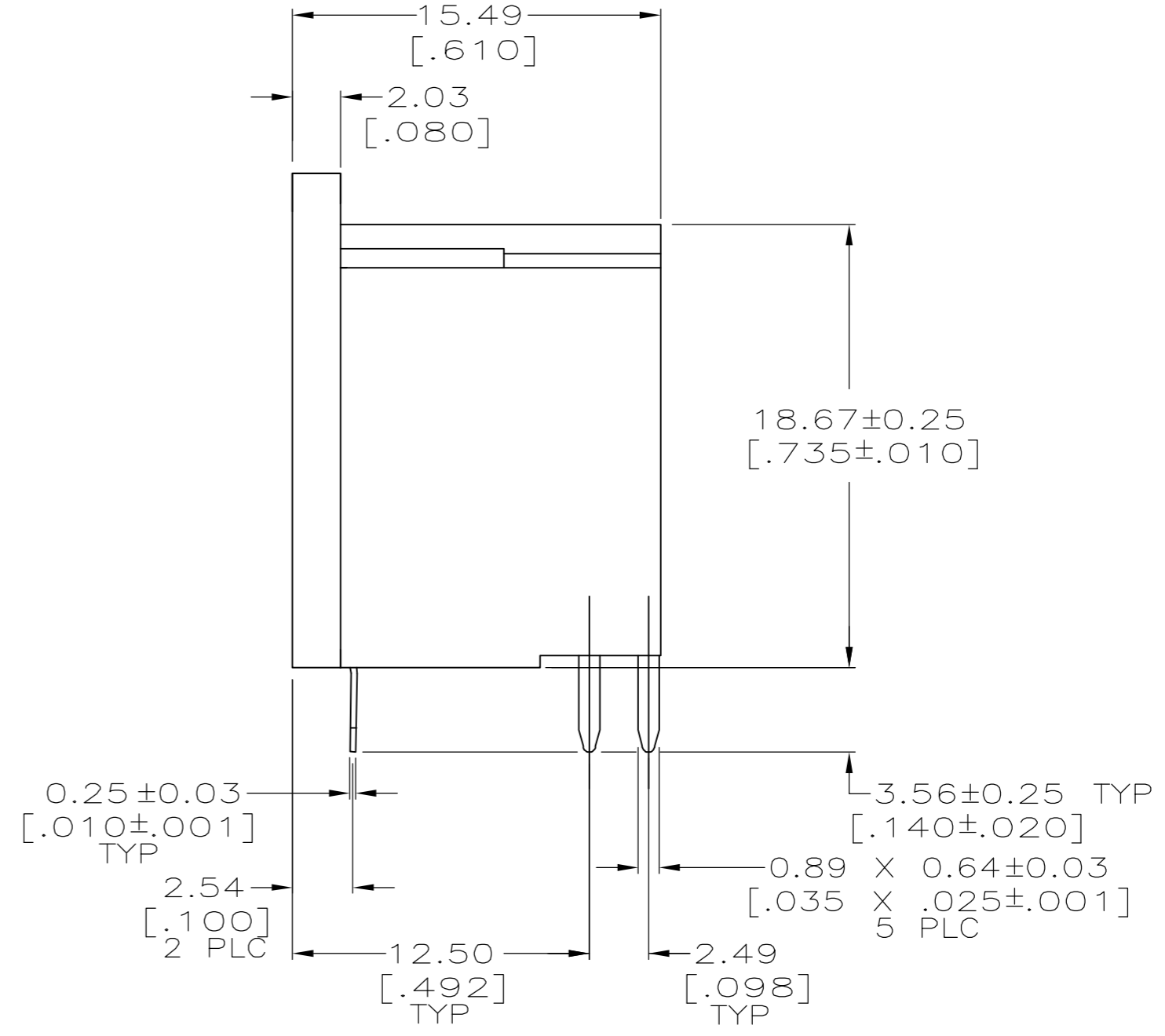
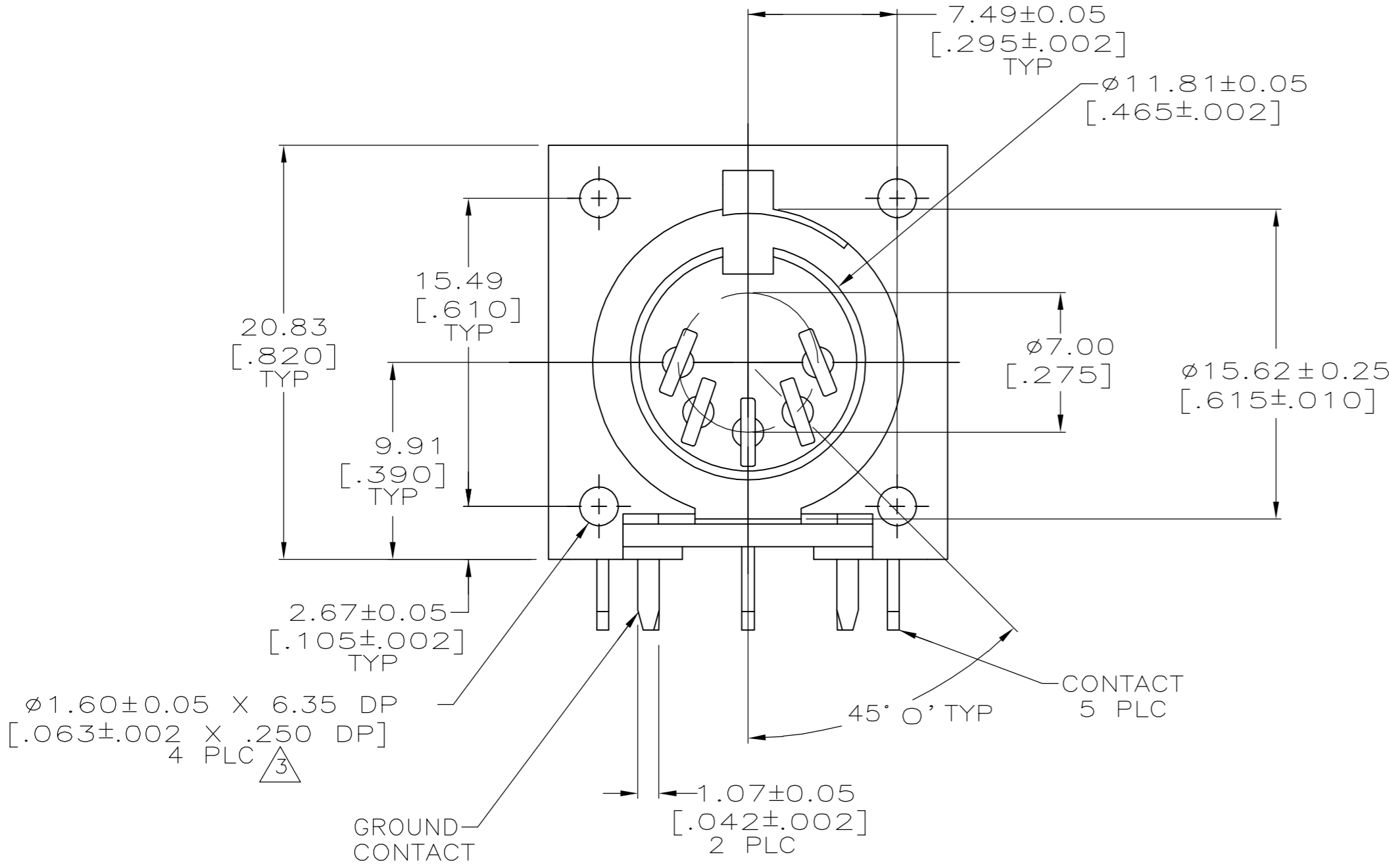


THIS DRAWING IS UNPUBLISHED. RELEASED FOR PUBLICATION
 © COPYRIGHT BY TYCO ELECTRONICS CORPORATION. ALL RIGHTS RESERVED.

LOC		DIST		REVISIONS			
P	LTR	DESCRIPTION	DATE	DWN	APVD		
GP	00	01	REVISED PER ECO-07-008008	10APR07	JDP	CWR	



SUGGESTED PC BOARD LAYOUT & CIRCUIT IDENTIFICATION 4



- 1 HOUSING: NYLON, UL 94V-0 RATED, BLACK.
- 2 CONTACTS & GROUND CONTACT: 2.54µm [.000100] MIN TIN OVER 1.27µm [.000050] MIN NICKEL.
- 3 ACCEPTS #2 SELF-TAPPING SCREW, .250 LONG REF.
- 4 CIRCUIT IDENTIFICATION IS BASED ON THE INDUSTRY STANDARD. THE VIEW OF THE COMPONENT SIDE OF THE PANEL.
- 5 CONTACTS & GROUND CONTACT: BRASS PER ASTM B36.

5212476-1
 PART NUMBER

THIS DRAWING IS A CONTROLLED DOCUMENT.		DWN L. VARELA - DOCK5 11-12-04	tyco Tyco Electronics Corporation Harrisburg, PA 17105-3608	
DIMENSIONS: mm [INCHES]		CHK C. ROHDE 11-12-04	RECEPTACLE ASSY, 5 POSITION, CIRCULAR DIN	
TOLERANCES UNLESS OTHERWISE SPECIFIED:		APVD M. WALMSLEY 11-12-04	NAME	
0 PLC ± -		PRODUCT SPEC 108-10047	SIZE CAGE CODE DRAWING NO RESTRICTED TO	
1 PLC ± -		APPLICATION SPEC 114-40025	A2 00779 C=5212476	
2 PLC ± 0.13[.005]		WEIGHT -	SCALE 4:1 SHEET 1 OF 1 REV 01	
3 PLC ± -		FINISH		
4 PLC ± -				
ANGLES ± 0° 30'				
MATERIAL 1 5				
CUSTOMER DRAWING				

单击下面可查看定价，库存，交付和生命周期等信息

[>>TE Connectivity\(泰科\)](#)