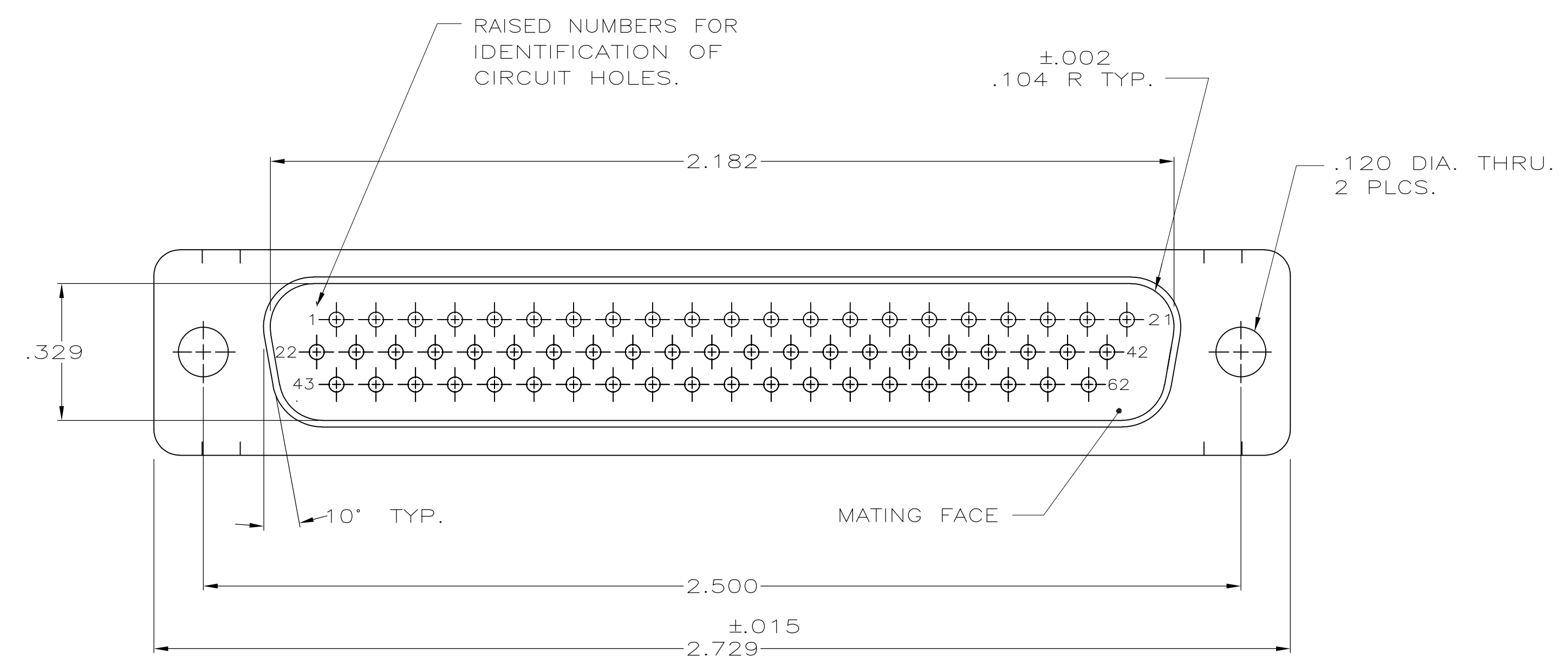
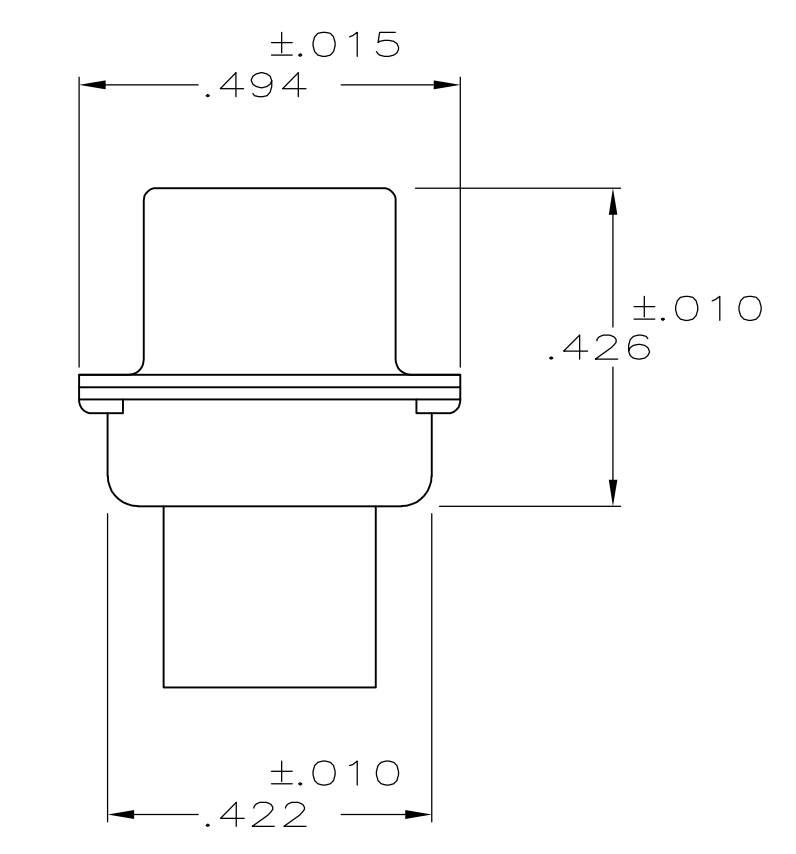
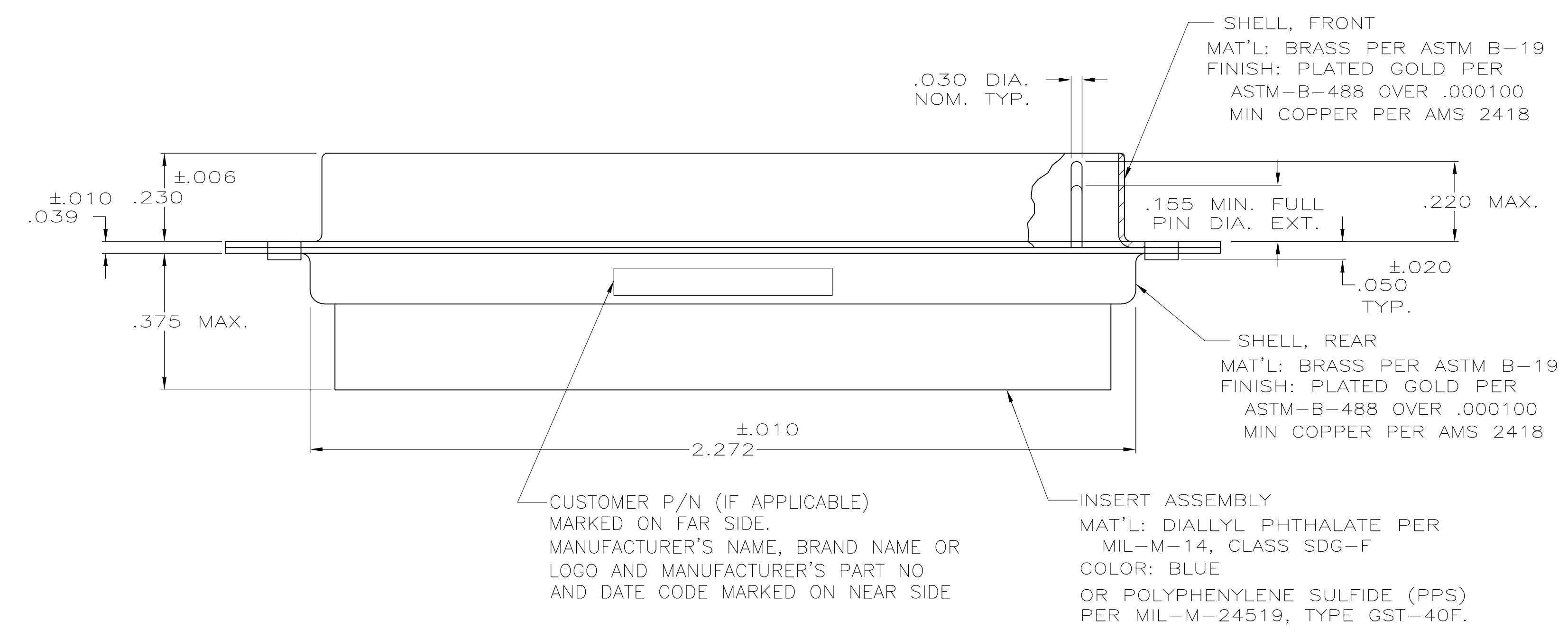


LOC		DIST		REVISIONS			
DF	DO	REV	DATE	DESCRIPTION	DATE	DWN	APVD
C		1	16OCT2008	REV PER ECO 08-022905		PK	BW



1. THIS PLUG WILL MATE WITH ANY SIZE 4,62 POSN. RECEPTACLE IN AMPLIMITE SERIES.
 2. CONNECTOR SUPPLIED WITHOUT CONTACTS; SHOWN FOR ILLUSTRATION ONLY.
 3. BE-CU RETENTION CLIPS ARE INCLUDED IN INSERTS AND INSTALLED WITH TINES POINTING TOWARDS MATING FACE.
 4. OVERALL DIMENSIONS DO NOT INCLUDE RAISED CAVITY ID.
 5. MARKING FAR SIDE REFERS TO WIDE SIDE OF KEYSTONE. NEAR SIDE REFERS TO NARROW SIDE OF KEYSTONE
- ⚠ 100% INSPECTION REQUIRED PER BOEING 1B01:
 A. VISUAL
 B. DWV
 C. IR
7. CUSTOMER REQUIRES SINGLE LOT DATE CODE.



REMARKS	CUSTOMER MARKING	PART NO.
⚠	1B01 - 010PHW	1-211652-1
⚠	1B01 - 010	211652-1

THIS DRAWING IS A CONTROLLED DOCUMENT.		DWG: D. ERDMAN 3-26-84		Tyco Electronics Corporation	
DIMENSIONS: INCHES		CHK: B. YOHN 4-26-84		Tyco Electronics Corporation	
TOLERANCES UNLESS OTHERWISE SPECIFIED:		APVD: J. BROSCARD 6-29-84		Harrisburg, PA 17105-3608	
0 PLC ± -		NAME: J. BROSCARD		PRODUCT SPEC: PLUG ASS'Y, AMPLIMITE	
1 PLC ± -		APPLICATION SPEC: -		62 POSN, SIZE 4, SERIES 90	
2 PLC ± -		SIZE: A1		NON-MAGNETIC	
3 PLC ± .005		CAGE CODE: 00779		DRAWING NO: 211652	
4 PLC ± -		WEIGHT: -		RESTRICTED TO: -	
ANGLES ± 0°30'		CUSTOMER DRAWING		SCALE: NTS	
MATERIAL: SEE CALLOUT		FINISH: SEE CALLOUT		SHEET: 1 OF 1	
				REV: C	

单击下面可查看定价，库存，交付和生命周期等信息

[>>TE Connectivity\(泰科\)](#)