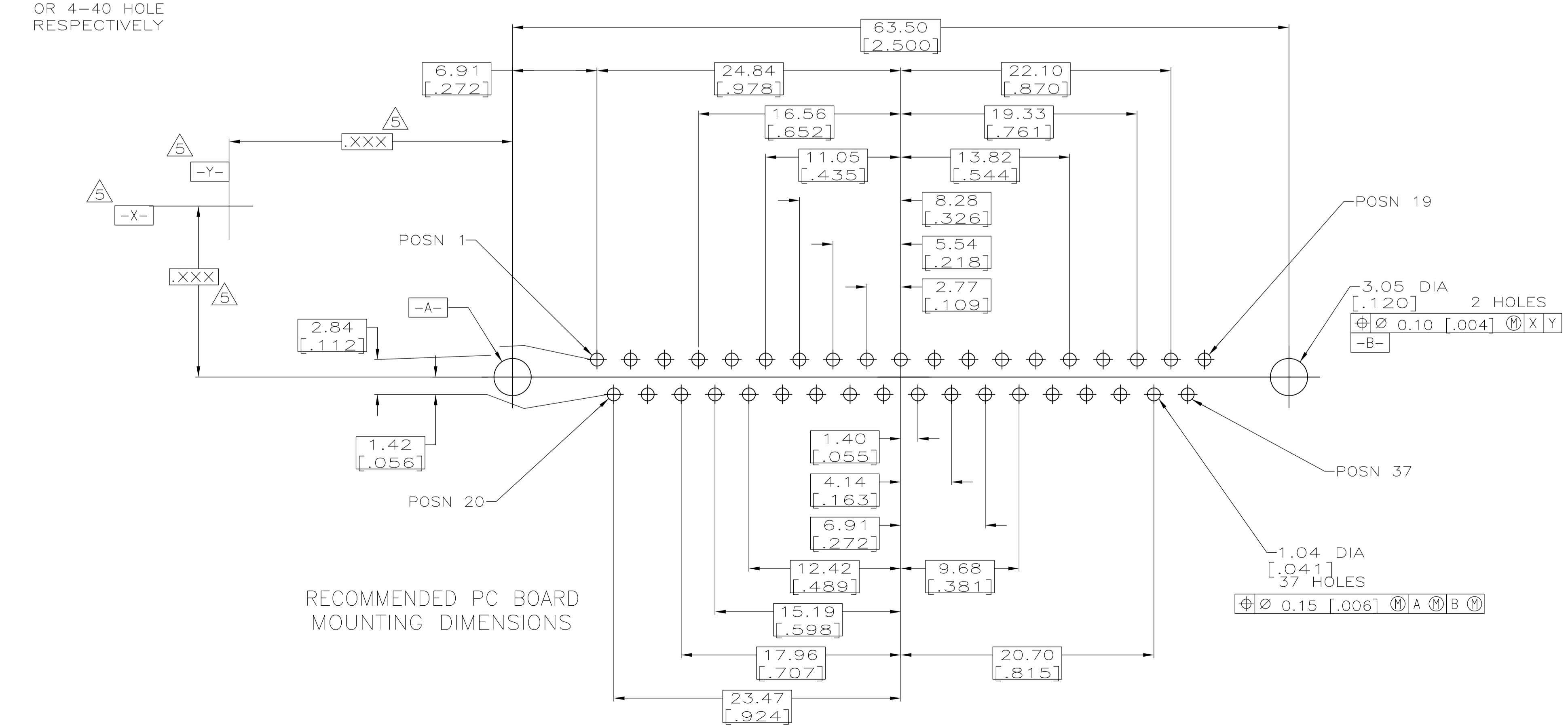
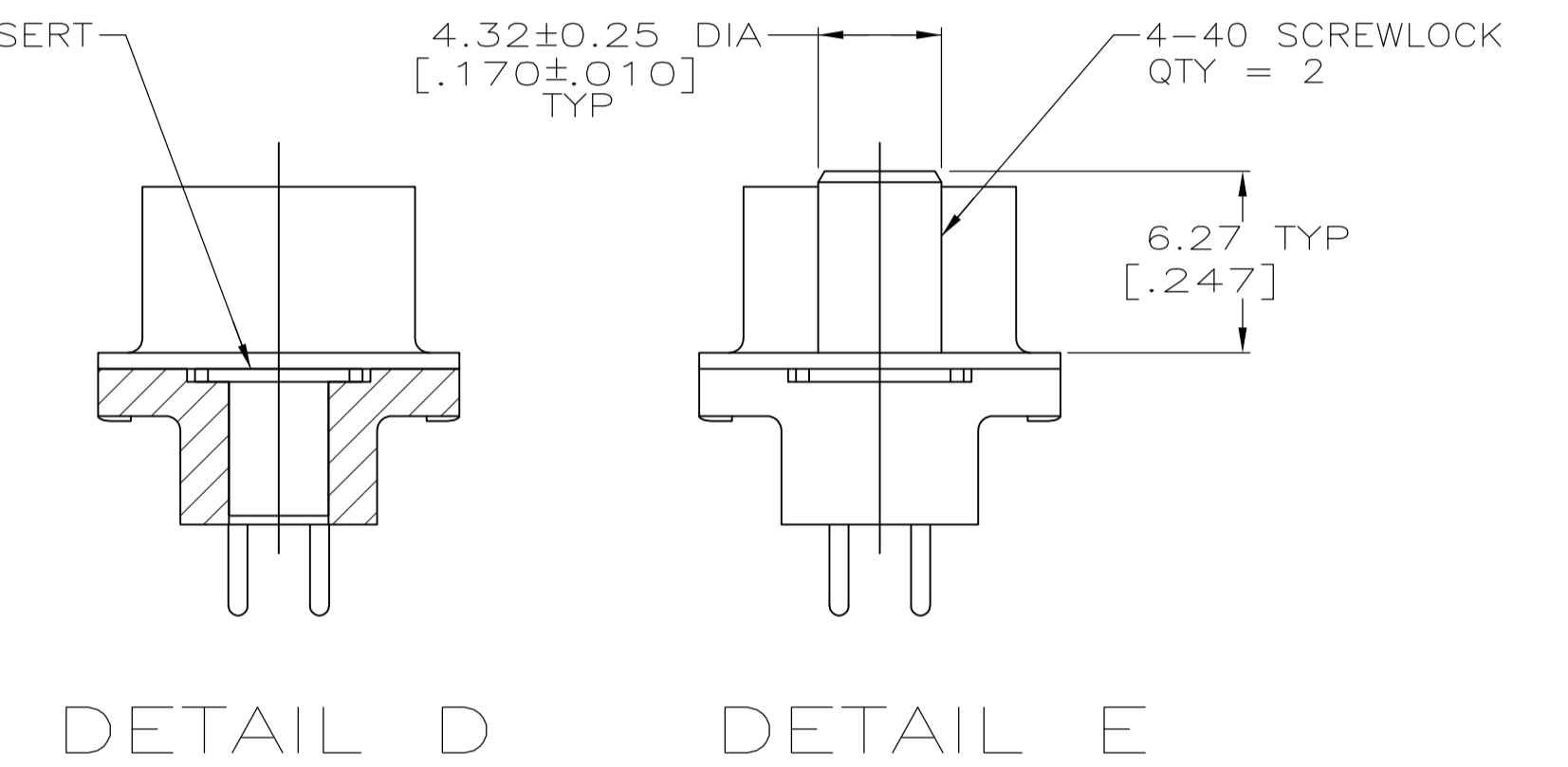
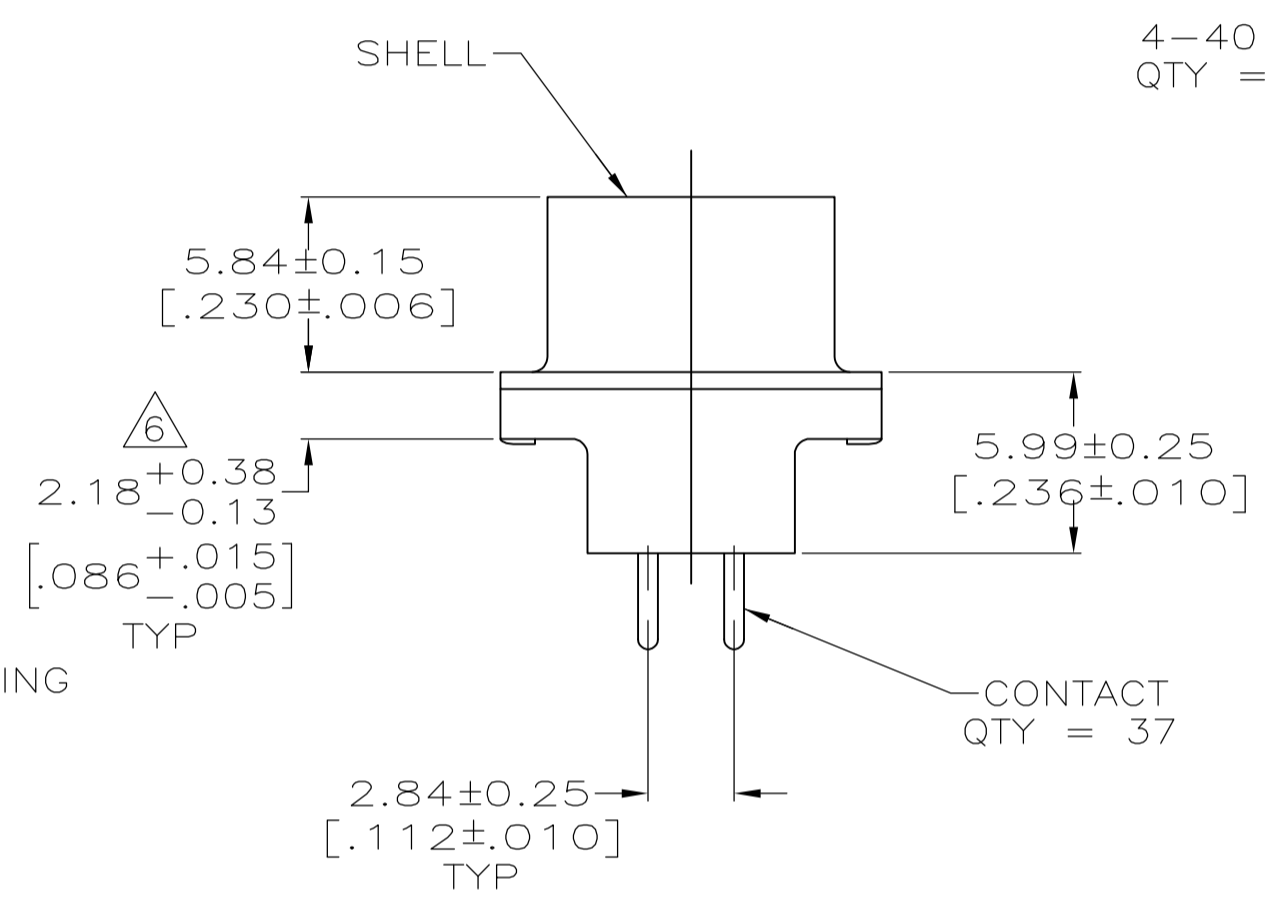
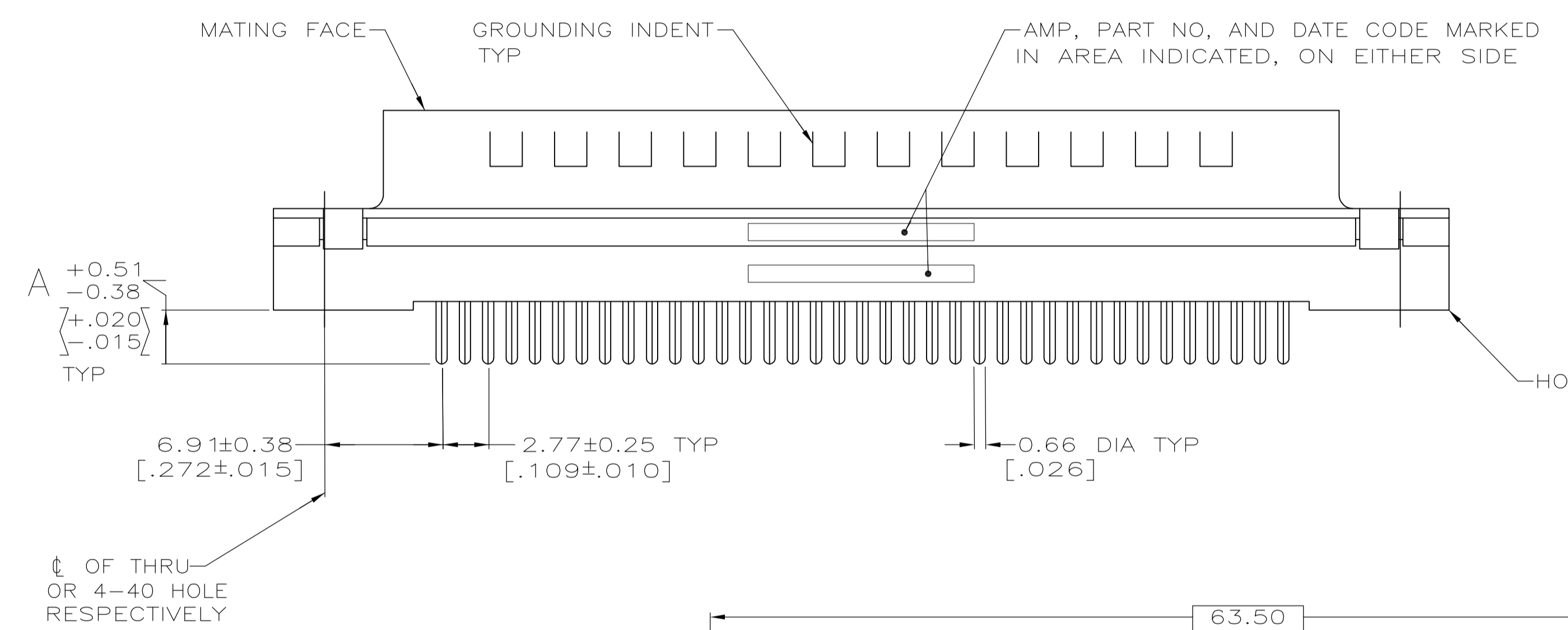


- △ HOUSING: BLACK POLYESTER, UL 94V-0 RATED
CONTACTS: BRASS
SHELLS: CARBON STEEL
SCREWLOCK: ZINC
INSERT: BRASS
- △ GOLD FLASH FOR LENGTH OF 3.81 [.150] MIN FROM MATING END, 2.54μm [.000100] MIN TIN OR TIN-LEAD FOR A LENGTH OF DIMENSION A FROM OPPOSITE END, BOTH OVER 1.27μm [.000050] MIN NICKEL.
- △ GOLD PLATED FOR LENGTH OF 3.81 [.150] MIN FROM MATING END, 0.76μm [.000030] MIN GOLD IN MATED AREA, 2.54μm [.000100] MIN TIN OR TIN-LEAD FOR A LENGTH OF DIMENSION A FROM OPPOSITE END, BOTH OVER 1.27μm [.000050] MIN NICKEL.
-OR-
GOLD FLASH OVER PALLADIUM NICKEL FOR A LENGTH OF 3.81 [.150] MIN FROM MATING END, 0.76μm [.000030] MIN PALLADIUM NICKEL IN MATED AREA, 2.54μm [.000100] MIN TIN OR TIN-LEAD FOR A LENGTH OF DIMENSION A FROM OPPOSITE END, BOTH OVER 1.27μm [.000050] MIN NICKEL.
- △ SHELLS: 5.08μm [.000200] MIN TIN OVER 2.54μm [.000100] MIN COPPER
CONTACTS: SEE TABLE
- △ DATUMS AND BASIC DIMENSIONS ESTABLISHED BY CUSTOMERS.
- △ 2.79[.110] MAX IN SHELL TAB CLINCH AREAS.



OBSOLETE	6.35 [.250]	4-40 SCREWLOCK (DETAIL E)	△ 3	1-747375-8
OBSOLETE	6.35 [.250]	4-40 SCREWLOCK (DETAIL E)	△ 2	1-747375-7
OBSOLETE	4.32 [.170]	4-40 SCREWLOCK (DETAIL E)	△ 3	1-747375-6
OBSOLETE	4.32 [.170]	4-40 SCREWLOCK (DETAIL E)	△ 2	1-747375-5
OBSOLETE	3.18 [.125]	4-40 SCREWLOCK (DETAIL E)	△ 3	1-747375-4
SUPSD BY 747375-8	3.18 [.125]	4-40 SCREWLOCK (DETAIL E)	△ 2	1-747375-3
OBSOLETE	6.35 [.250]	4-40 INSERT (DETAIL D)	△ 3	1-747375-2
OBSOLETE	6.35 [.250]	4-40 INSERT (DETAIL D)	△ 2	1-747375-1
SUPSD BY 747375-8	4.32 [.170]	4-40 INSERT (DETAIL D)	△ 3	1-747375-0
OBSOLETE	4.32 [.170]	4-40 INSERT (DETAIL D)	△ 2	747375-9
SUPSD BY 747375-8	3.18 [.125]	4-40 INSERT (DETAIL D)	△ 3	747375-8
OBSOLETE	6.35 [.250]	-	△ 3	747375-7
OBSOLETE	6.35 [.250]	-	△ 2	747375-5
OBSOLETE	4.32 [.170]	-	△ 3	747375-4
OBSOLETE	4.32 [.170]	-	△ 2	747375-3
OBSOLETE	3.18 [.125]	-	△ 3	747375-2
OBSOLETE	3.18 [.125]	-	△ 2	747375-1

THIS DRAWING IS A CONTROLLED DOCUMENT.		DIM A		MOUNTING HARDWARE		CONTACT FINISH		PART NUMBER	
DIMENSIONS: mm [INCHES]		TOLERANCES UNLESS OTHERWISE SPECIFIED:		APPROVALS:		DRAWING NO:		RESTRICTED TO:	
0 PLC	±	1 PLC	±	J. McCLINTON	12/01/89	114-40023		-	
1 PLC	±	2 PLC	± 0.13 [.005]	R. STONE	02/01/90	108-40025		-	
2 PLC	±	3 PLC	±	C. ROHDE 2-02-90		114-40023		-	
3 PLC	±	4 PLC	±	NAME:		SIZE		SCALE	
4 PLC	±	ANGLES	±	Tyco Electronics Corporation		A1		4:1	
MATERIAL	△ 1	FINISH	△ 4	Harrisburg, PA 17105-3608		00779		SHEET 1 of 1	
CUSTOMER DRAWING		SCALE		DRAWING NO		REV		REV	

单击下面可查看定价，库存，交付和生命周期等信息

[>>TE Connectivity\(泰科\)](#)