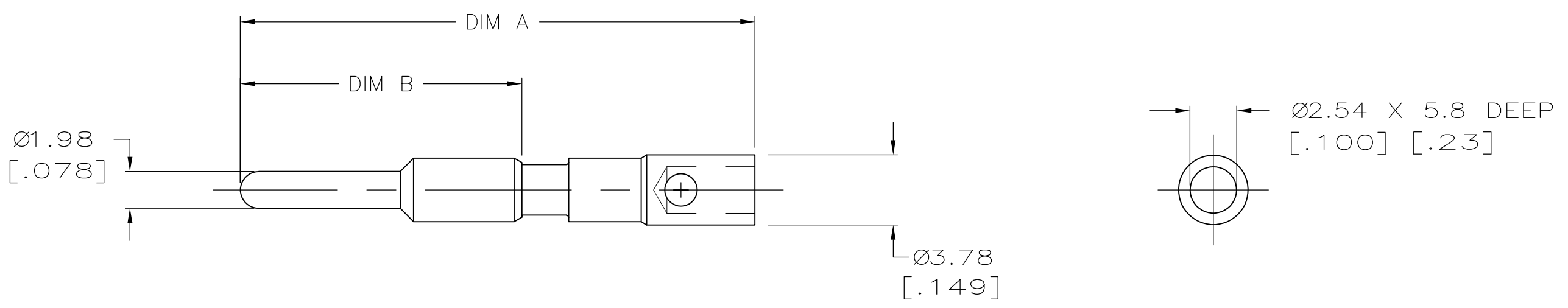


THIS DRAWING IS UNPUBLISHED. RELEASED FOR PUBLICATION
 © COPYRIGHT - By - ALL RIGHTS RESERVED.

LOC	DIST	REVISIONS			
P	LTR	DESCRIPTION	DATE	DWN	APVD
FT	0	C3	REVISED PER ECO-11-005027	11MAR11	RK HMR

- 1 MATERIAL:
BODY: COPPER ALLOY
- 2 FINISH—BODY AND BAND, .0002 IN. SILVER.
- 3. WIRE BARREL WILL ACCEPT 12-14 AWG WIRE.
- 4. MATES WITH AMP PART NUMBER 193842-1.



.650	1.15	193841-2
.602	1.10	193841-1
DIM B	DIM A	PART NUMBER

THIS DRAWING IS A CONTROLLED DOCUMENT.		DWN 03-18-94 CRAIG M. SVOBODA	STE TE Connectivity				
DIMENSIONS: mm [INCHES]		CHK -					
TOLERANCES UNLESS OTHERWISE SPECIFIED:		APVD -	NAME PIN, 2mm, 12-14 AWG HIGH CURRENT MATE-N-LOK II				
0 PLC ± - 1 PLC ± - 2 PLC ± 0.5[.02] 3 PLC ± 0.25[.010] 4 PLC ± - ANGLES ± -		PRODUCT SPEC -					
MATERIAL - 1		FINISH - 2	APPLICATION SPEC -	SIZE A3	CAGE CODE 00779	DRAWING NO C-193841	RESTRICTED TO -
CUSTOMER DRAWING			WEIGHT -	SCALE 4:1	SHEET 1 OF 1	REV C3	

单击下面可查看定价，库存，交付和生命周期等信息

[>>TE Connectivity\(泰科\)](#)