

THIS DRAWING IS UNPUBLISHED.
 VERTRÄULICHE UNVERÖFFENTLICHTE ZEICHNUNG
 © COPYRIGHT 2014 Tyco Electronics AMP GmbH

RELEASED FOR PUBLICATION
 FREI FÜR VERÖFFENTLICHUNG
 2014
 ALL RIGHTS RESERVED.
 ALLE RECHTE VORBEHALTEN.

MATED WITH:
 PASSEND ZU:

DIESE ZEICHNUNG IST EIN KONTROLLIERTES DOKUMENT.
 BEMASSUNGEN UND TOLERANZEN GEMAESS GPS (ISO STANDARDS).

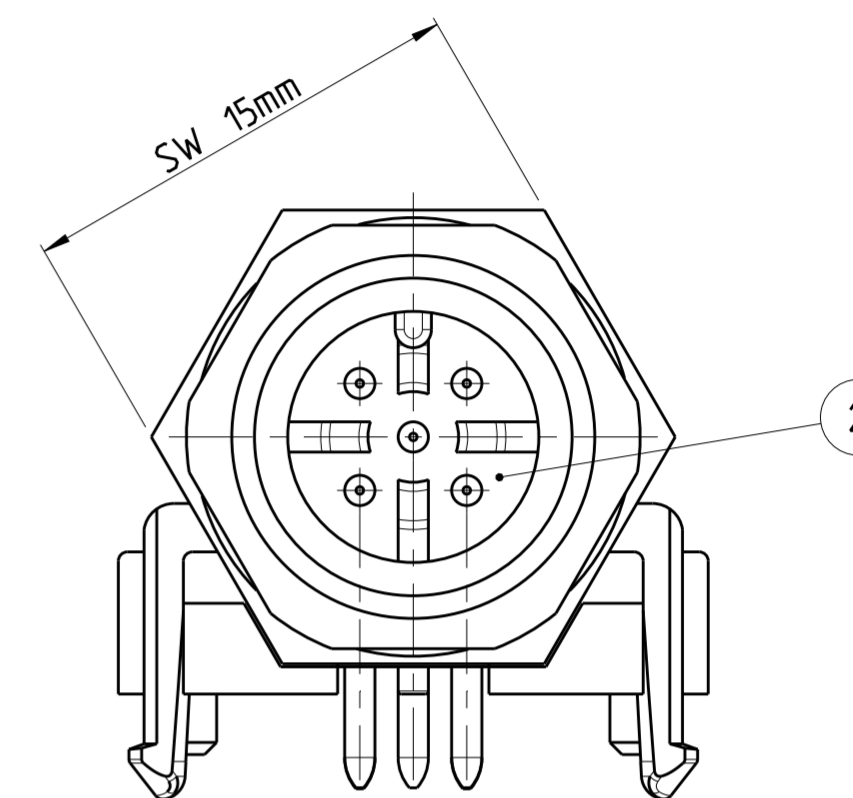
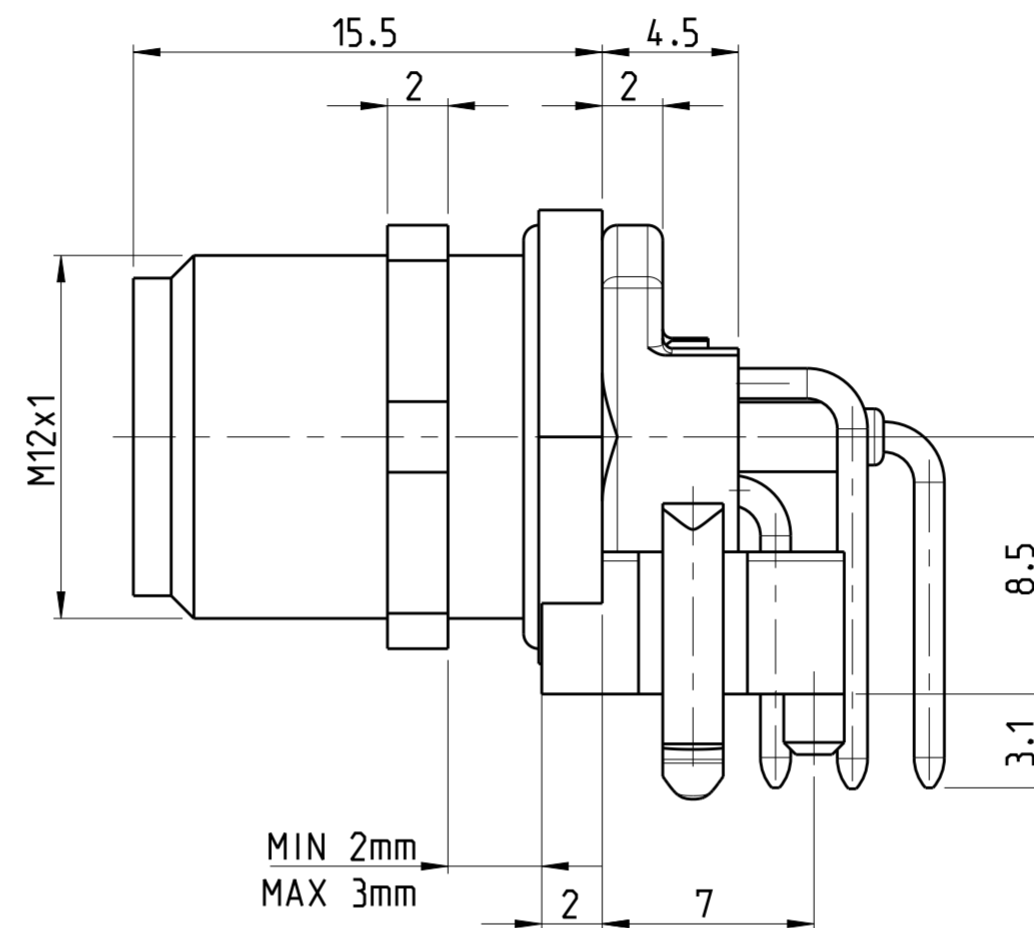
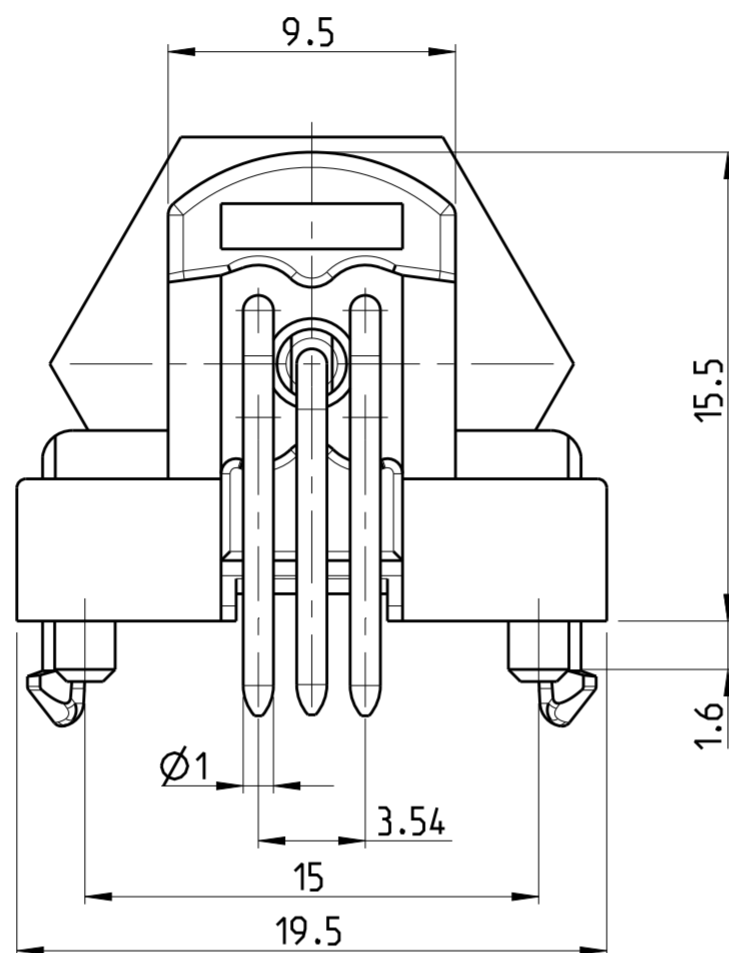
PROJEKT NR.:
 PRJ-11-000004377

REVISIONS		DATE	DWN	APVD
P	LTR	DESCRIPTION		
A		NEW RELEASE	01DEC2014	CR JK
A1		NUT SHELL AND 5P HOUSING PN INTRODUCED	23SEP2015	TJ NG
A2		PCB LAYOUT CORRECTED FOR PN 5-2172081-2	11MAY2016	TJ NG

⚠ MATERIAL: ITEM NO. 1: NUT SHELL - CuZn (BRASS, NICKEL PLATED)
 ITEM NO. 2: HOUSING - PA
 ITEM NO. 3: CONTACT - CuZn (BRASS)
 CONTACT FINISH - Au (GOLD)

2 ALL DIMENSIONS ARE FOR NOMINAL REFERENCE ONLY UNLESS OTHERWISE STATED

TECHNICAL DATA	3-2172081-2	4-2172081-2	5-2172081-2
RATED VOLTAGE	250V	125V	60V
RATED IMPULSE VOLTAGE	2500V	1500V	800V
POLLUTION DEGREE	3	3	3
OVERVOLTAGE CATEGORY	II	II	II
MATERIAL GROUP	III	III	III
RATED CURRENT	4A	4A	2A
VOLUME RESISTIVITY	≤ 3mΩ	≤ 3mΩ	≤ 3mΩ
DEGREE OF PROTECTION	IP68	IP68	IP68
UPPER TEMPERATURE	+85 °C	+85 °C	+85 °C
LOWER TEMPERATURE	-40 °C	+40 °C	+40 °C



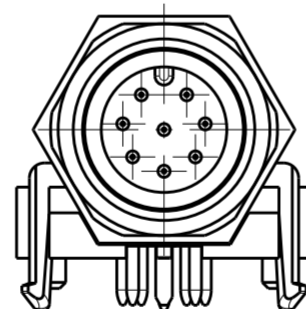
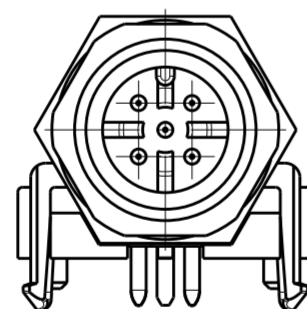
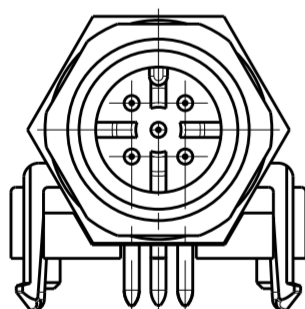
ALSO SOLD SEPARATELY

PIN ARRANGEMENT
 A-CODING (SCALE 2:1)

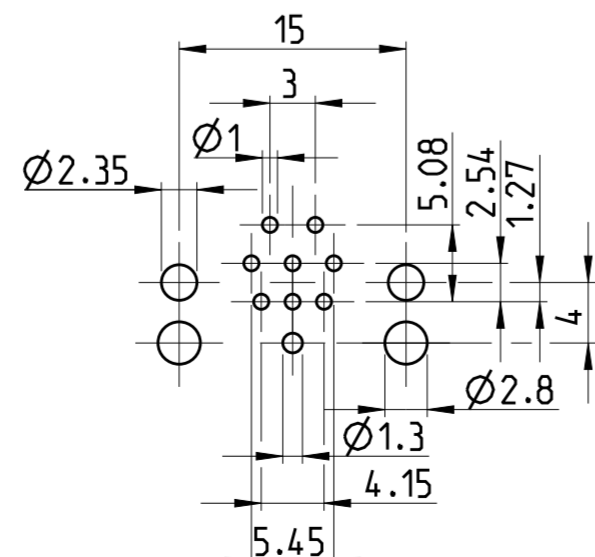
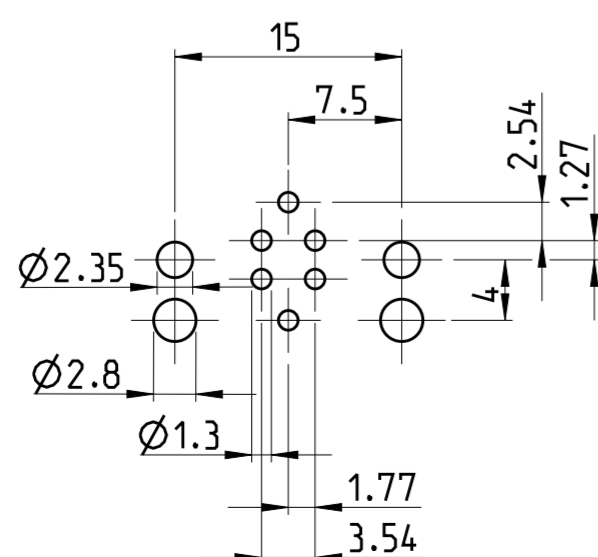
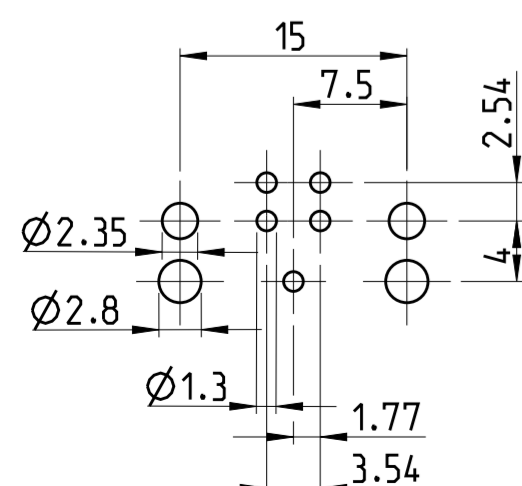
3-2172081-2

4-2172081-2

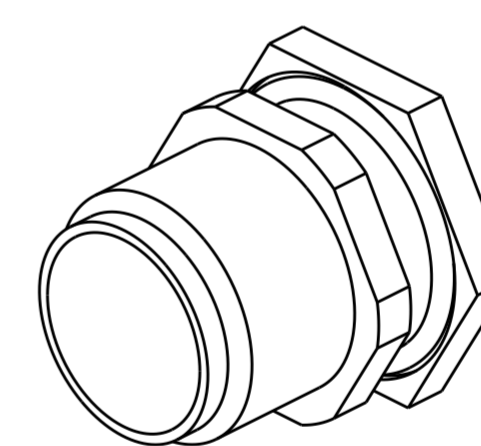
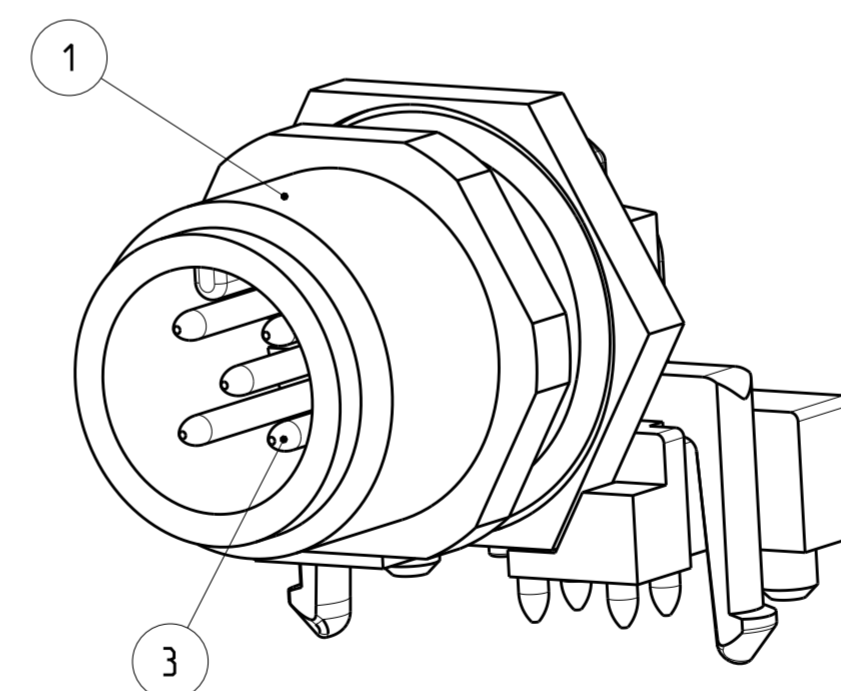
5-2172081-2



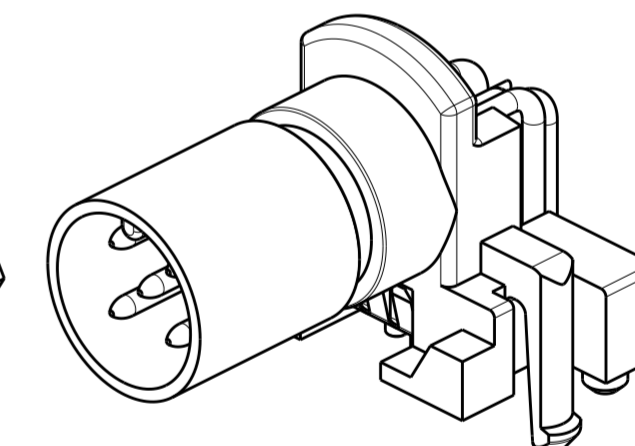
CONDUCTOR LAYOUT



SIZE ISO 14405 (E)



NUT SHELL
 PN 2172081-3



REFER TABLE FOR
 HOUSING PN

⚠	8	5-2172081-2	
⚠	5	4-2172081-2	4-2172081-3
⚠	4	3-2172081-2	
MATERIAL	NUMBER OF POLES	PART NUMBER	HOUSING PN

THIS DRAWING IS A CONTROLLED DOCUMENT.
 DIMENSIONING AND TOLERANCING PER GPS (ISO STANDARDS).

DIMENSIONS: MASSEINHEITEN: (MM)

TOLERANCES UNLESS OTHERWISE SPECIFIED: ALLGEMEINTOLERANZEN

0 PLC ±
 1 PLC ±
 2 PLC ±
 3 PLC ±
 4 PLC ±

ANGLES/WINKEL ±
 FINISH/OBERFLÄCHE/FARBE

MATERIAL

DWN YASHKUMAR 11AUG2014
 CHK M. BRUBAKER 11AUG2014
 APVD M. BRUBAKER 11AUG2014

PRODUCT SPEC
 108-19483

APPLICATION SPEC
 114-32127

WEIGHT
 GEWICHT

Customer Drawing

TE Connectivity

NAME -
 WITH STANDOFF, A-CODED

SIZE A2 CAGE CODE 00779 DRAWING NO. C-2172081

RESTRICTED TO NUR FÜR

SCALE MASSSTAB 2:1 SHEET BLATT 1 OF 1 REV A2

单击下面可查看定价，库存，交付和生命周期等信息

[>>TE Connectivity\(泰科\)](#)