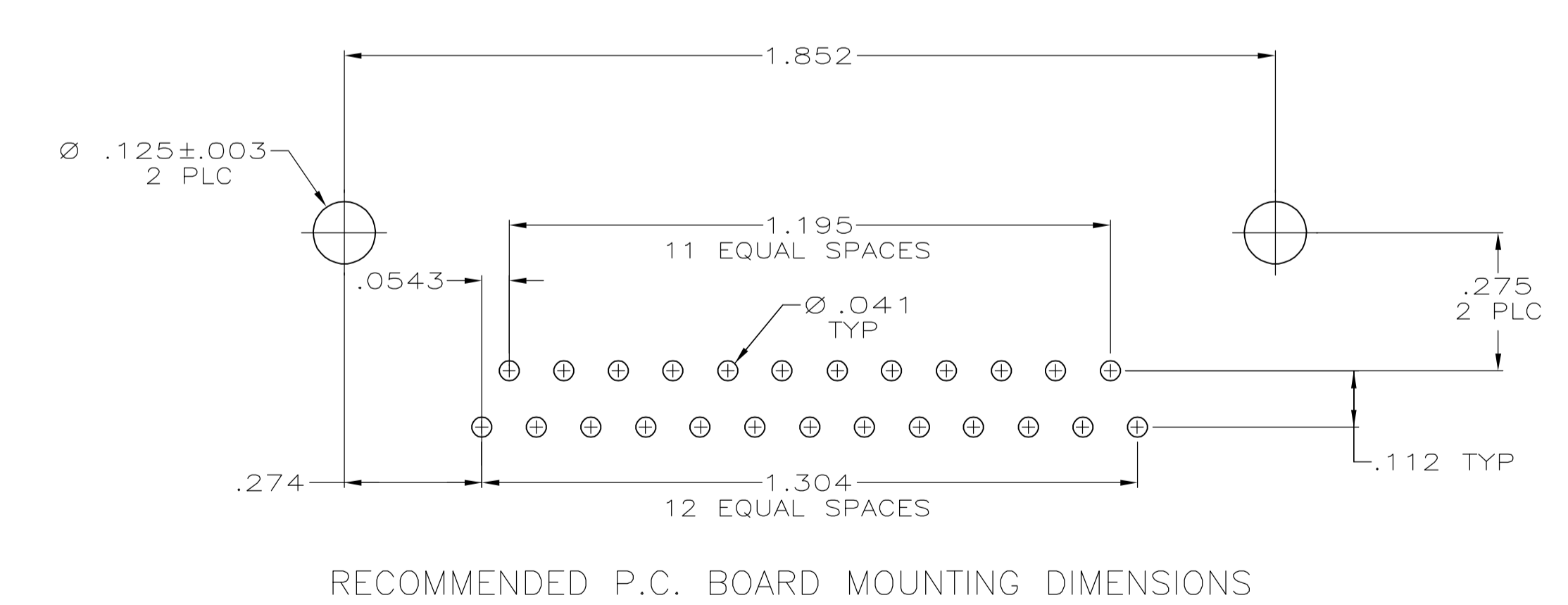
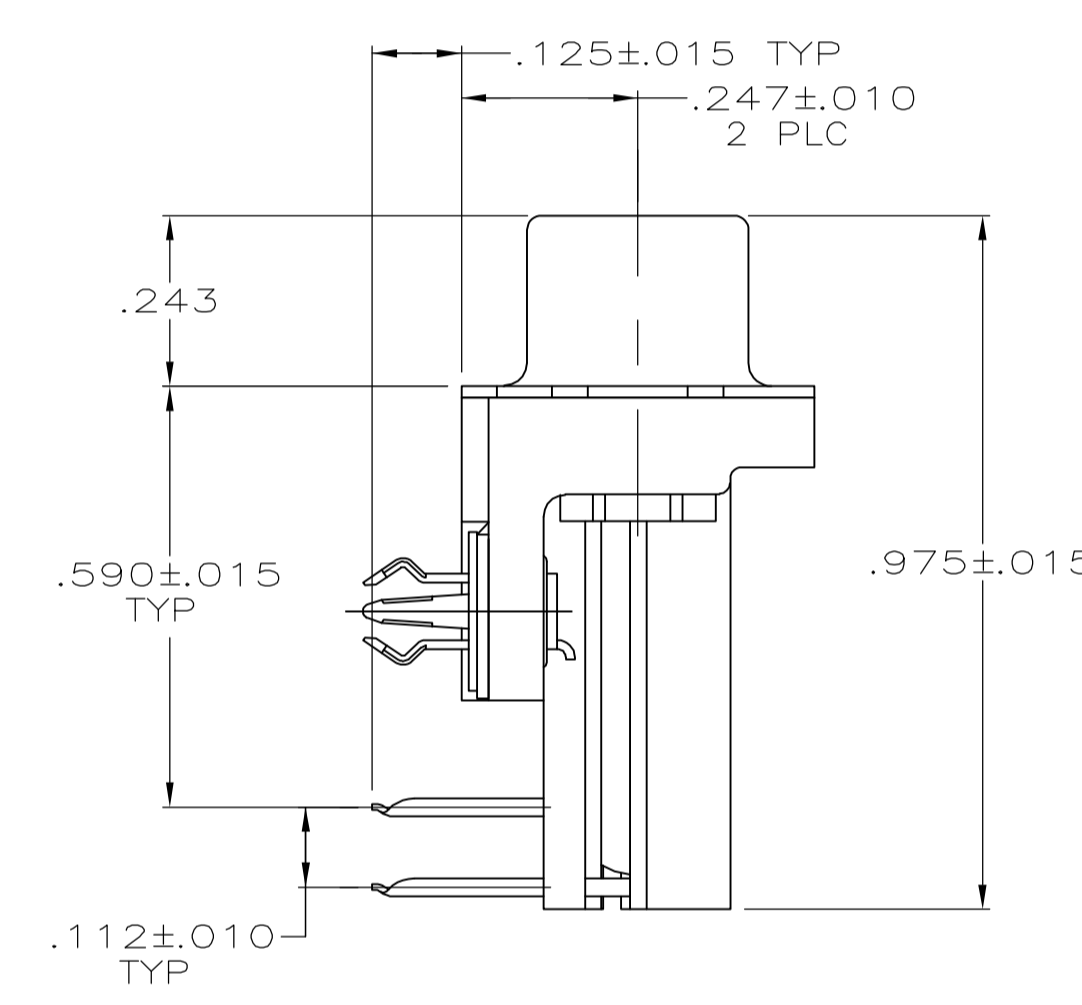
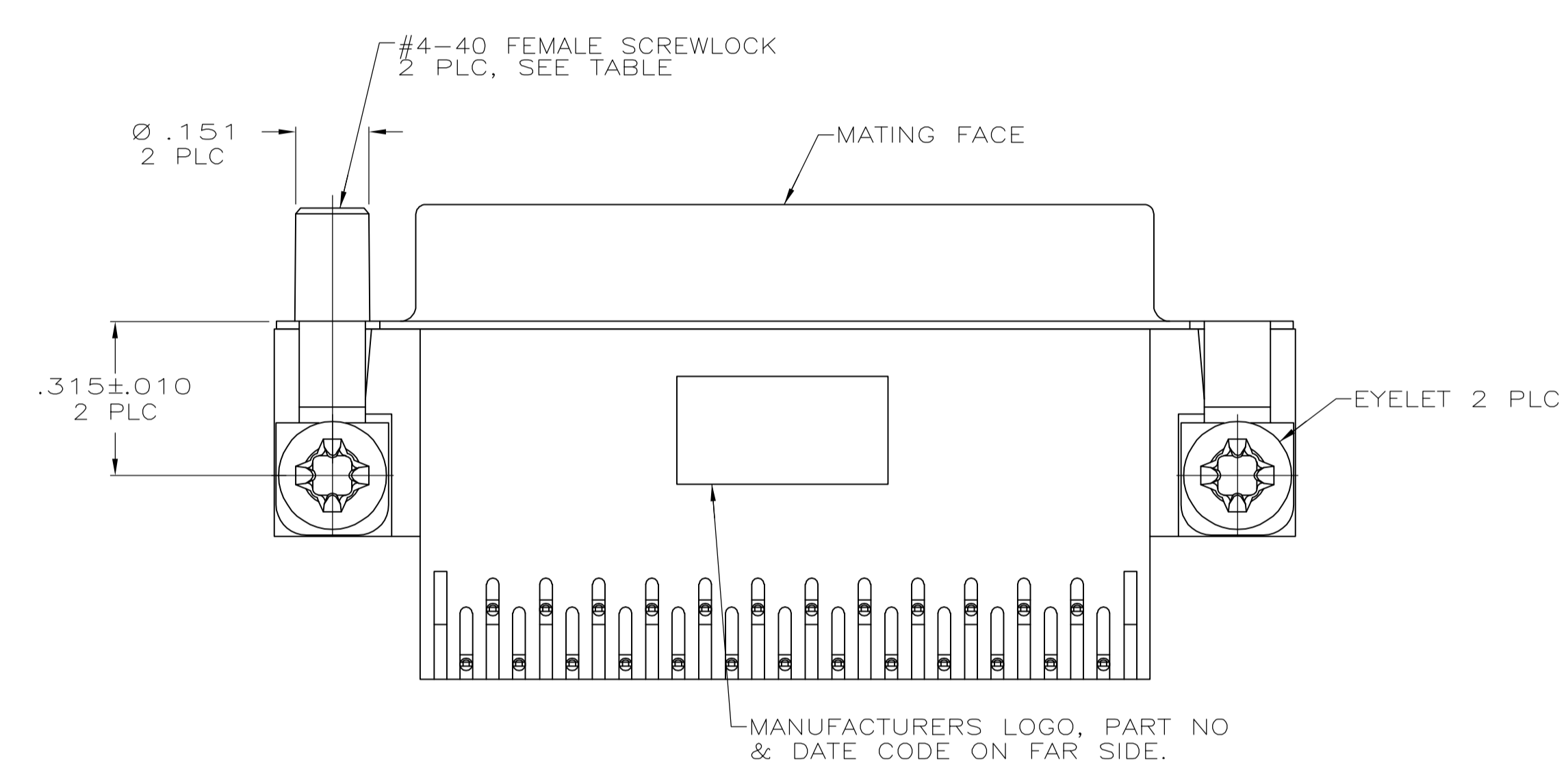
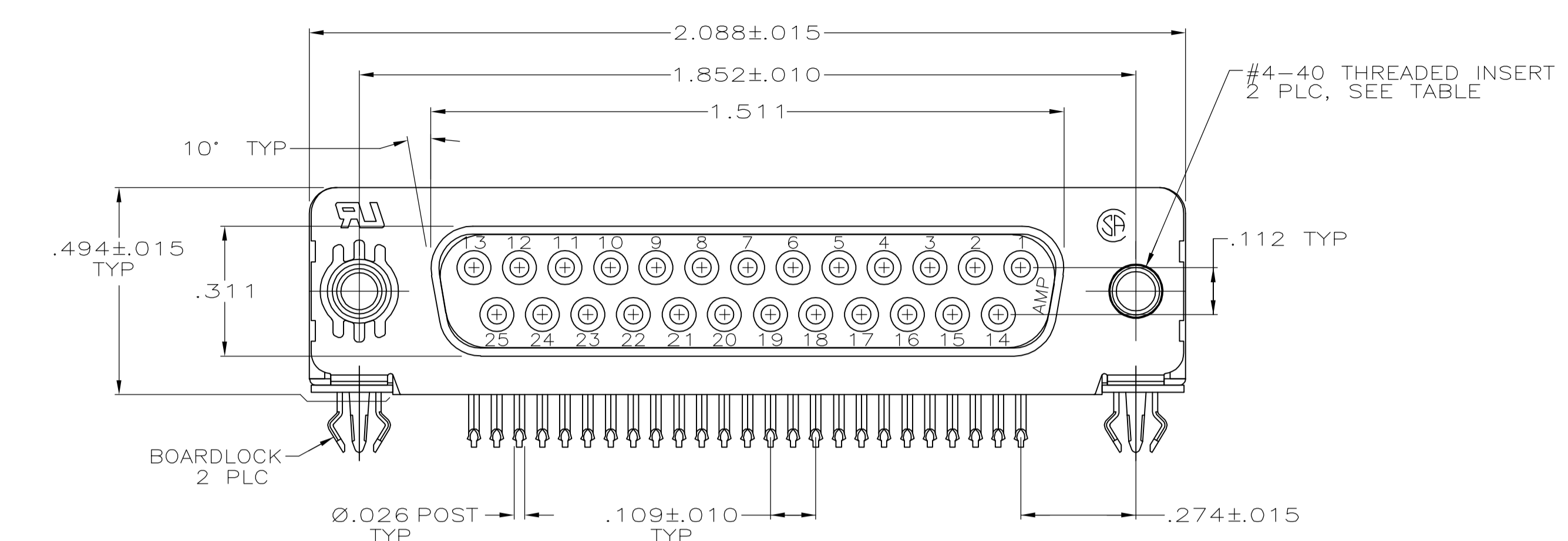


LOC	DIST	REVISIONS					
GP	00	P	LTR	DESCRIPTION	DATE	DWN	APVD
		0		RELEASED PER EC 0S13-0016-05	04-12-05	GA	JG



- 1 HOUSING: NYLON OR POLYESTER, FLAME RETARDANT, UL 94V-0 RATED, GLASS FILLED, BLACK.  
SHELL: CARBON STEEL  
CONTACTS: PHOSPHOR BRONZE  
EYELETS: BRASS  
SCREWLOCKS: ZINC  
INSERTS: ZINC  
BOARDLOCKS: COPPER ALLOY
- 2 SHELL: .000100 MIN TIN OVER .000050 MIN COPPER.  
EYELETS: .000100 MIN TIN OVER COPPER FLASH.  
CONTACTS: SEE TABLE  
BOARDLOCKS: .000150 MIN TIN OVER .000050 MIN NICKEL.  
INSERTS: CLEAR CHROMATE  
SCREWLOCKS: CLEAR CHROMATE
- 3 GOLD FLASH FOR A DISTANCE OF .100 MIN FROM MATING END, .000100 MIN TIN ON TERMINATION END, ALL OVER .000050 MIN NICKEL ON ENTIRE CONTACT.
- 4 .000030 MIN GOLD FOR A DISTANCE OF .100 MIN FROM MATING END, .000100 MIN TIN ON TERMINATION END, ALL OVER .000050 MIN NICKEL ENTIRE CONTACT.

FEMALE SCREWLOCKS	4	5747838-6
THREADED INSERTS	4	5747838-4
THREADED INSERTS	3	5747838-3
MOUNTING HARDWARE	CONTACT FINISH	PART NUMBER

**COPYRIGHT 2005  
TYCO ELECTRONICS CORP  
ALL RIGHTS RESERVED**

THIS DRAWING IS A CONTROLLED DOCUMENT.

DIMENSIONS:	TOLERANCES UNLESS OTHERWISE SPECIFIED:	DWN G. ATTADIA - DOCKS 04-12-05	APVD M. WALMSLEY 04-12-05	NAME RECEPTACLE ASSEMBLY, SIZE 3, 25 POSITION, RIGHT ANGLE, FRONT METAL SHELL, .590 SERIES, .026 DIA POSTS, BOARDLOCKS, AMPLIMITE HD-20
INCHES:	0 PLC ± -	1 PLC ± -	2 PLC ± .005	3 PLC ± .005
	4 PLC ± -	ANGLES ± -	FINISH ± -	
MATERIAL	1	2	3	4

PRODUCT SPEC	108-40025	SIZE	114-40010	WEIGHT	-
APPLICATION SPEC		SCALE	4:1	SHEET	1 OF 1
CAGE CODE	A100779	DRAWING NO	5747838	REV	0
CUSTOMER DRAWING					

tyco Electronics Corporation  
Harrisburg, PA 17105-3608

单击下面可查看定价，库存，交付和生命周期等信息

[>>TE Connectivity\(泰科\)](#)