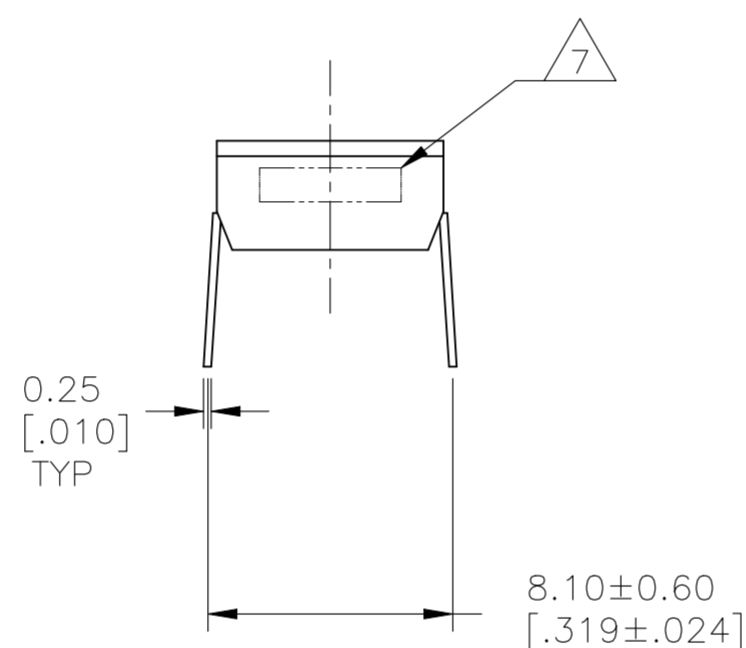
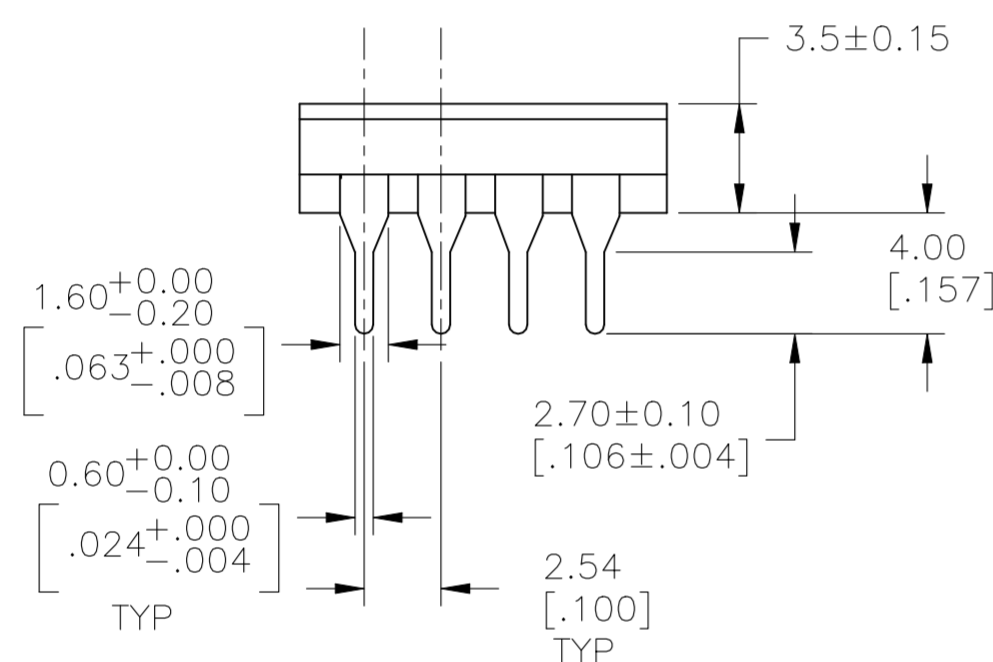
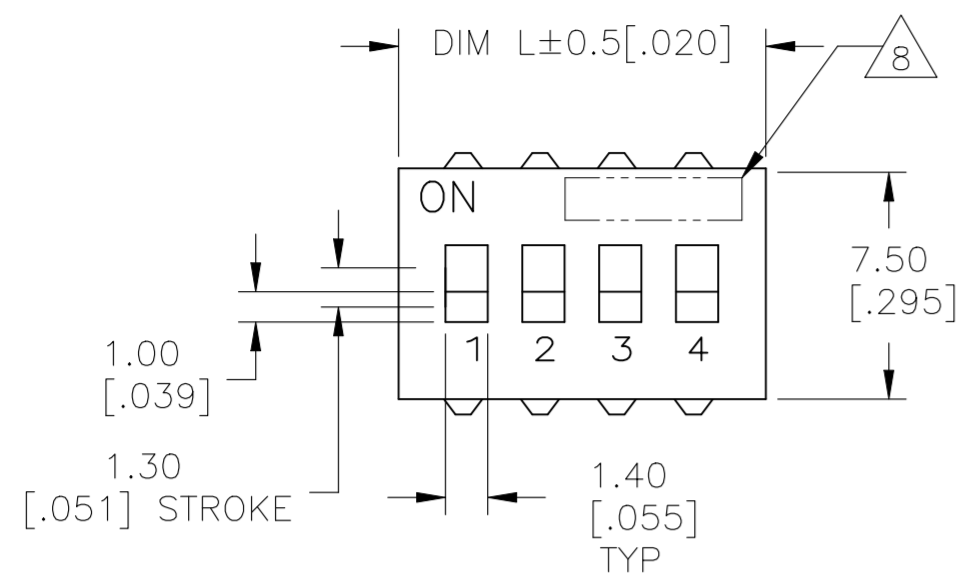
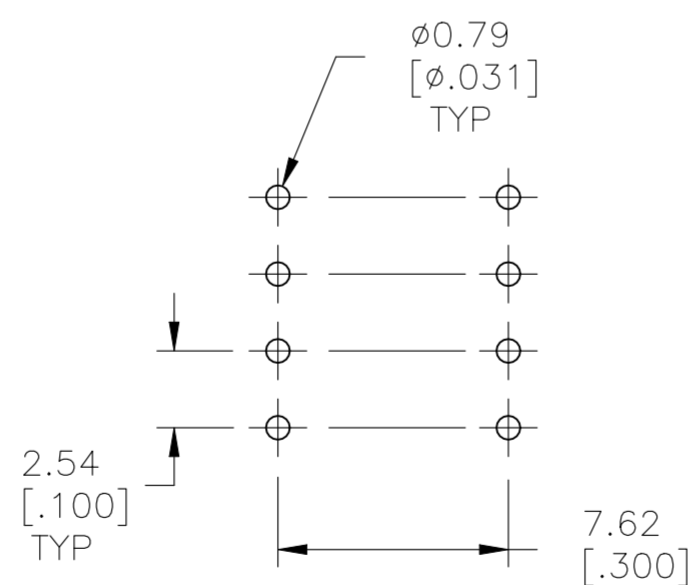


REVISIONS					
P	LTR	DESCRIPTION	DATE	DWN	APVD
R		REVISED PER ECO-21-006544	19AUG2021	GSK	JB



ADF



P.C. LAYOUT  
INSERT MOUNT

SEE SHEET 2 FOR PART NUMBER TABLE

SPECIFICATION:

MATERIAL

BASE, PPS, UL94V-0, BLACK  
 COVER, PPS, UL94V-0, BLACK  
 ACTUATOR, PA6T, UL94V-0, WHITE  
 FIXED CONTACT/TERMINAL, CU ALLOY-GOLD FLASH OVER NICKEL  
 MOVING CONTACT, CU ALLOY, PLATE-GOLD FLASH/NICKEL  
 TAPE SEAL, POLYIMIDE FILM, AMBER, SEE P/N TABLE FOR OPTIONS.

ELECTRICAL

MAX CONTACT RATING SWITCHING, -100mA @5VDC (AMPERE MAX)  
 -25mA@24VDC (VOLTAGE MAX).  
 MIN CONTACT RATING SWITCHING, .1MICROAMP @ 1 MILLIVOLT  
 MAX CONTACT NON-SWITCHING, 1AMP @ 5 VDC  
 INITIAL CONTACT RESISTANCE, 50 MILLIOHMS MAX.  
 CONTACT RESISTANCE (AFTER ENVIRONMENTAL TEST), 100 MILLIOHMS  
 CONTACT RESISTANCE (AFTER GAS TEST), 300 MILLIOHMS  
 INSULATION RESISTANCE, 100MΩ MIN@ 100VDC BETWEEN THE SAME POLES  
 DIELECTRIC STRENGTH, 300V AC FOR 1 MINUTE.  
 ELECTRICAL LIFE, 1,000 CYCLES (10mA@5VDC).  
 WITHSTAND VOLTAGE, 300VAC FOR 1 MIN BETWEEN THE SAME POLES.

MECHANICAL

OPERATING FORCE, LESS THAN 800 GRAMS  
 CONTACT PRESSURE, 2.9N min.

ENVIRONMENTAL

OPERATING TEMPERATURE, -30 TO +85 DEGREES C  
 STORAGE TEMPERATURE, -40 TO +85 DEGREES C  
 CLEANING, AQUEOUS OR SOLVENT  
 SOLDER HEAT RESISTANCE, PER 109-201, COND B, SWITCH "OFF".  
 SOLDERABILITY PER JIS C 0050 & JIS C 0053

- SWITCHES TO BE RECEIVED IN THE "OFF" POSITION AND PACKAGED IN CLEAR TUBES TO ACCOMMODATE AUTO-INSERTION.
- TOP SURFACE TO BE CLEARLY MARKED AS SHOWN
- SWITCHES TO BE BLACK WITH WHITE ACTUATORS AND MARKINGS.
- ALL MATERIALS AND FINISHES SHALL COMPLY WITH EU DIRECTIVE 2002 /95/EC OF 27JAN2003 (ROHS)
- TOP TAPE SEAL AVAILABLE, SEE P/N TABLE FOR OPTIONS
- NOTE DELETED

-----CONTINUED ON SHEET 2

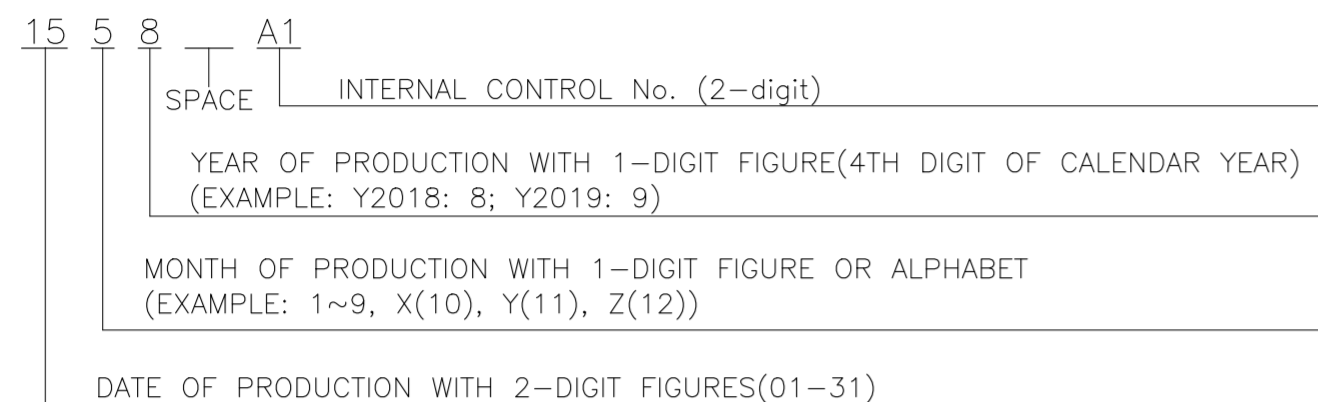
THIS DRAWING IS A CONTROLLED DOCUMENT.		DWN B.S.VISWESWARA 19AUG03		
DIMENSIONS: mm [INCHES]		CHK M.SARVER		
TOLERANCES UNLESS OTHERWISE SPECIFIED:		APVD M.SARVER	DIP SWITCH, ADF THRU HOLE	
0 PLC ± -		PRODUCT SPEC	SIZE	CAGE CODE
1 PLC ± -		APPLICATION SPEC	A2	00779
2 PLC ± -		WEIGHT	DRAWING NO	
3 PLC ± 0.30[.012]		SCALE	C=1825002	
4 PLC ± -		CUSTOMER DRAWING	SCALE	SHEET
ANGLES ± -		RESTRICTED TO	1:1	1 OF 2
FINISH		REV	R	

REVISIONS				
P	LTR	DESCRIPTION	DATE	APVD
-	-	SEE SHEET 1	-	-

-----CONTINUATION OF SHEET 1

7

LOT CODE MARKING



8

MARK ALCO PLUS FIRST 5 DIGITS PER T&B P/N.2 AND 3 POSITION SUPPLIED WITHOUT ALCO

ADF12T04	32.51[1.280]	YES	12	2-1825002-0
ADF1204	32.51[1.280]	NO	12	1-1825002-9
ADF10T04	27.40[1.078]	YES	10	1-1825002-8
ADF1004	27.40[1.078]	NO	10	1-1825002-7
ADF09T04	24.84[.978]	YES	9	1-1825002-6
ADF0904	24.84[.978]	NO	9	1-1825002-5
ADF08T04	22.30[.878]	YES	8	1-1825002-4
ADF0804	22.30[.878]	NO	8	1-1825002-3
ADF07T04	19.80[.778]	YES	7	1-1825002-2
ADF0704	19.80[.778]	NO	7	1-1825002-1
ADF06T04	17.22[.678]	YES	6	1-1825002-0
ADF0604	17.22[.678]	NO	6	1825002-9
ADF05T04	14.70[.578]	YES	5	1825002-8
ADF0504	14.70[.578]	NO	5	1825002-7
ADF04T04	12.14[.478]	YES	4	1825002-6
ADF0404	12.14[.478]	NO	4	1825002-5
ADF03T04	9.60[.378]	YES	3	1825002-4
ADF0304	9.60[.378]	NO	3	1825002-3
ADF02T04	7.06[.278]	YES	2	1825002-2
ADF0204	7.06[.278]	NO	2	1825002-1
T&B P/N	DIM L	SEAL	POS	PART NO.

THIS DRAWING IS A CONTROLLED DOCUMENT.		DWN B.S.VISWESWARA	19AUG03																			
DIMENSIONS: mm [INCHES]		CHK M.SARVER	TE Connectivity																			
TOLERANCES UNLESS OTHERWISE SPECIFIED:		APVD M.SARVER	NAME																			
<table border="0"> <tr><td>0 PLC</td><td>±</td><td>-</td></tr> <tr><td>1 PLC</td><td>±</td><td>-</td></tr> <tr><td>2 PLC</td><td>±</td><td>-</td></tr> <tr><td>3 PLC</td><td>±</td><td>0.30[.012]</td></tr> <tr><td>4 PLC</td><td>±</td><td>-</td></tr> <tr><td>ANGLES</td><td>±</td><td>-</td></tr> </table>		0 PLC	±	-	1 PLC	±	-	2 PLC	±	-	3 PLC	±	0.30[.012]	4 PLC	±	-	ANGLES	±	-	PRODUCT SPEC -	DIP SWITCH, ADF THRU HOLE	
0 PLC	±	-																				
1 PLC	±	-																				
2 PLC	±	-																				
3 PLC	±	0.30[.012]																				
4 PLC	±	-																				
ANGLES	±	-																				
MATERIAL -	FINISH -	APPLICATION SPEC -	WEIGHT A2	RESTRICTED TO -																		
CUSTOMER DRAWING		SCALE 1:1	DRAWING NO 00779	REV R																		
		SCALE 1:1	DRAWING NO C=1825002	REV R																		

1825002

单击下面可查看定价，库存，交付和生命周期等信息

[>>TE Connectivity\(泰科\)](#)