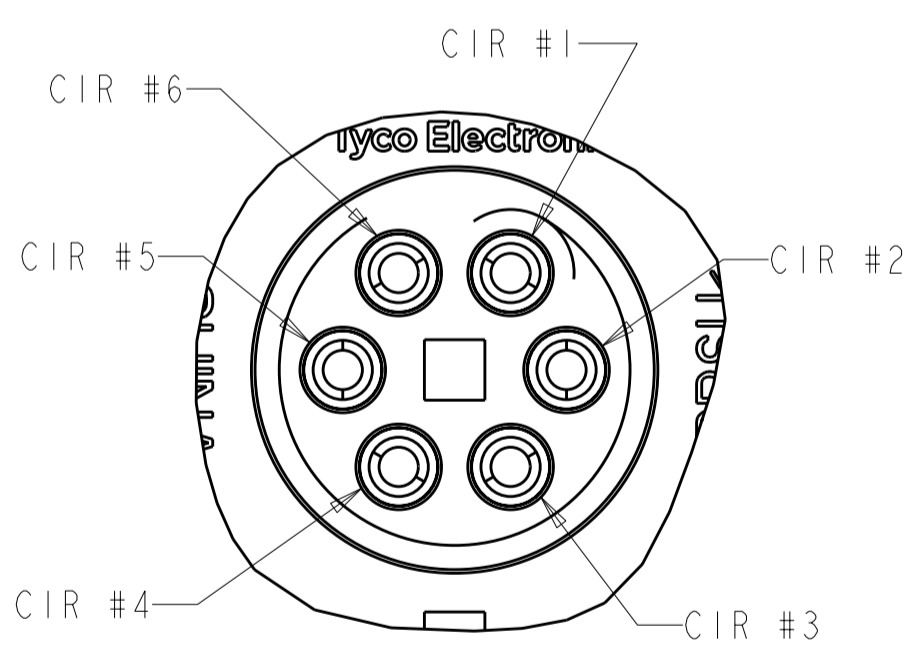
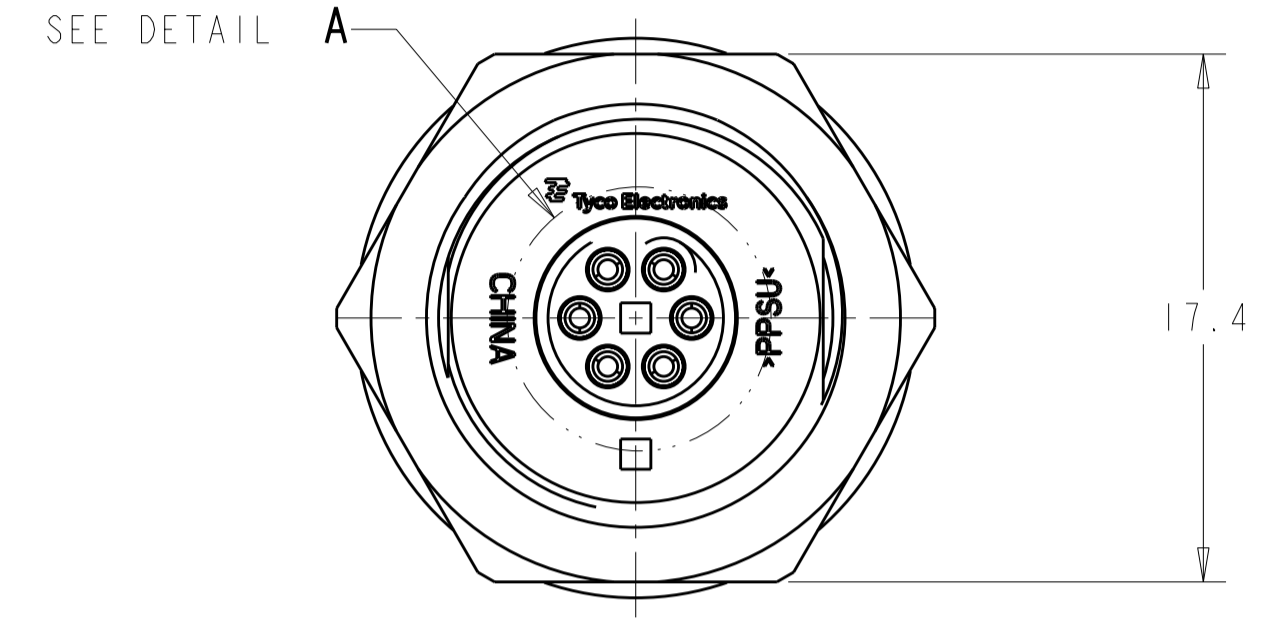
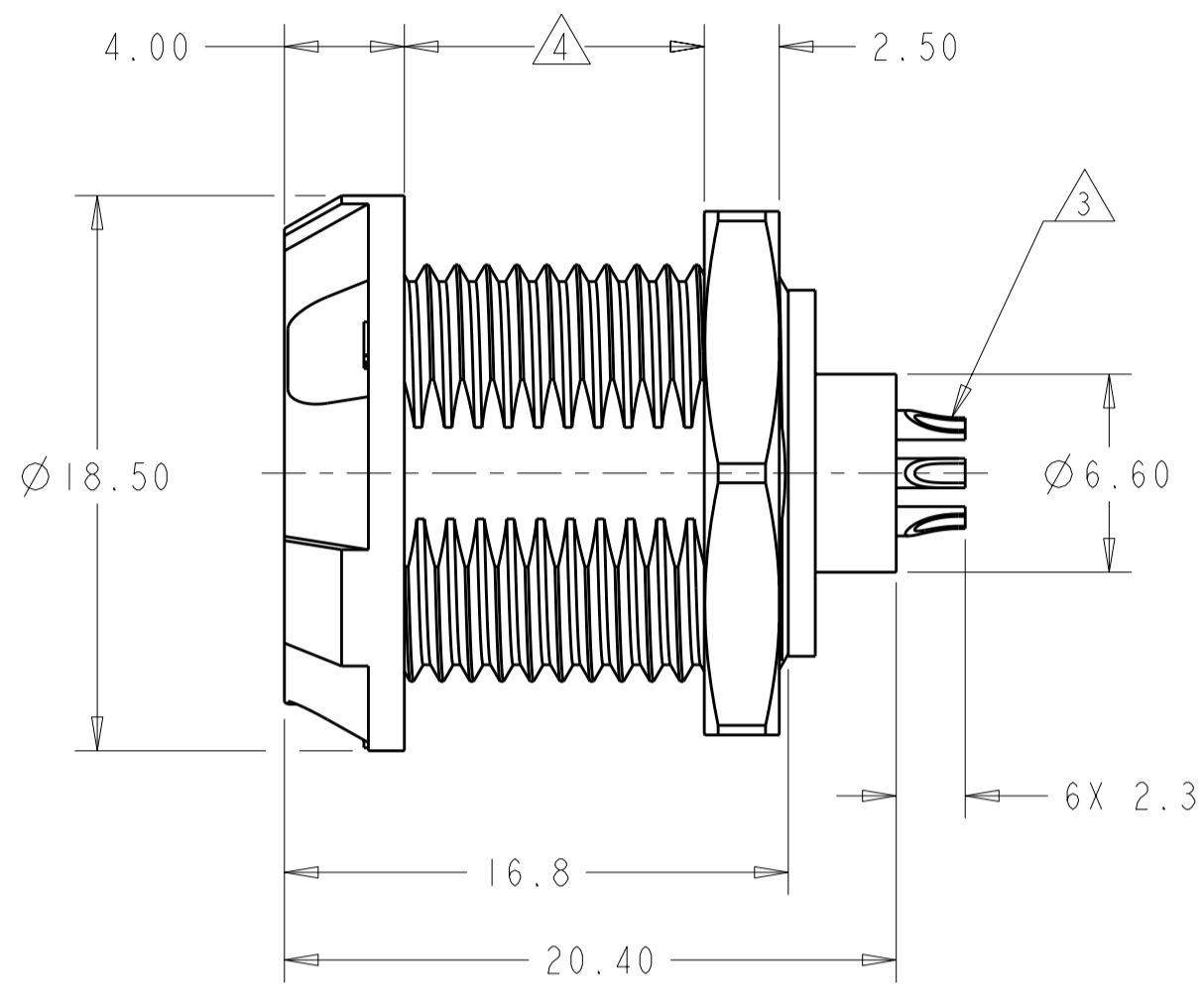


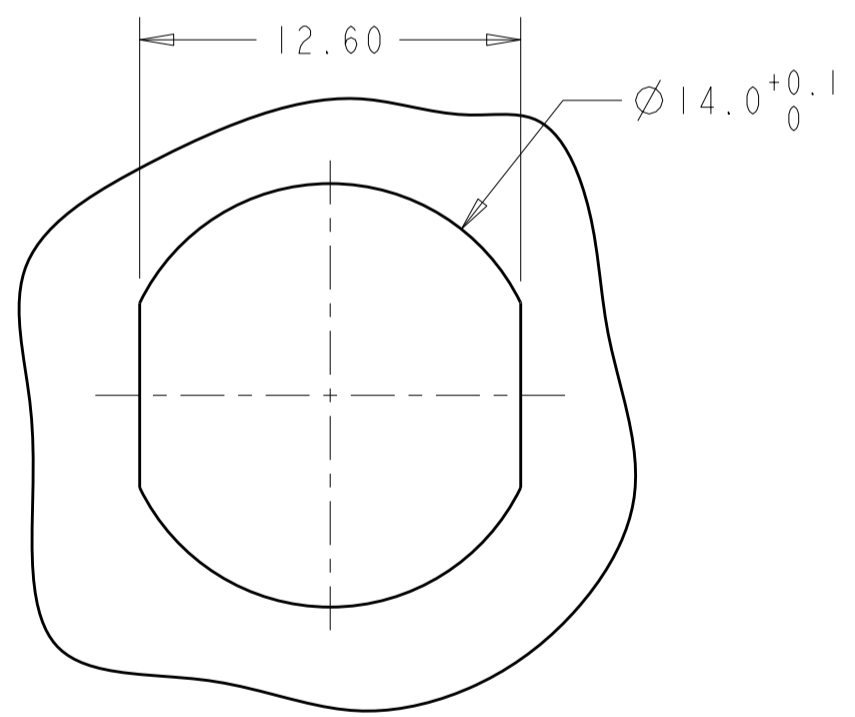
THIS DRAWING IS UNPUBLISHED. RELEASED FOR PUBLICATION 20  
 © COPYRIGHT 20 BY - ALL RIGHTS RESERVED.

LOC	DIST	REVISIONS			
P	LTR	DESCRIPTION	DATE	DWN	APVD
AD	00				
	C3	REVISED PER ECO-11-005027	12MAR2011	RK	HMR

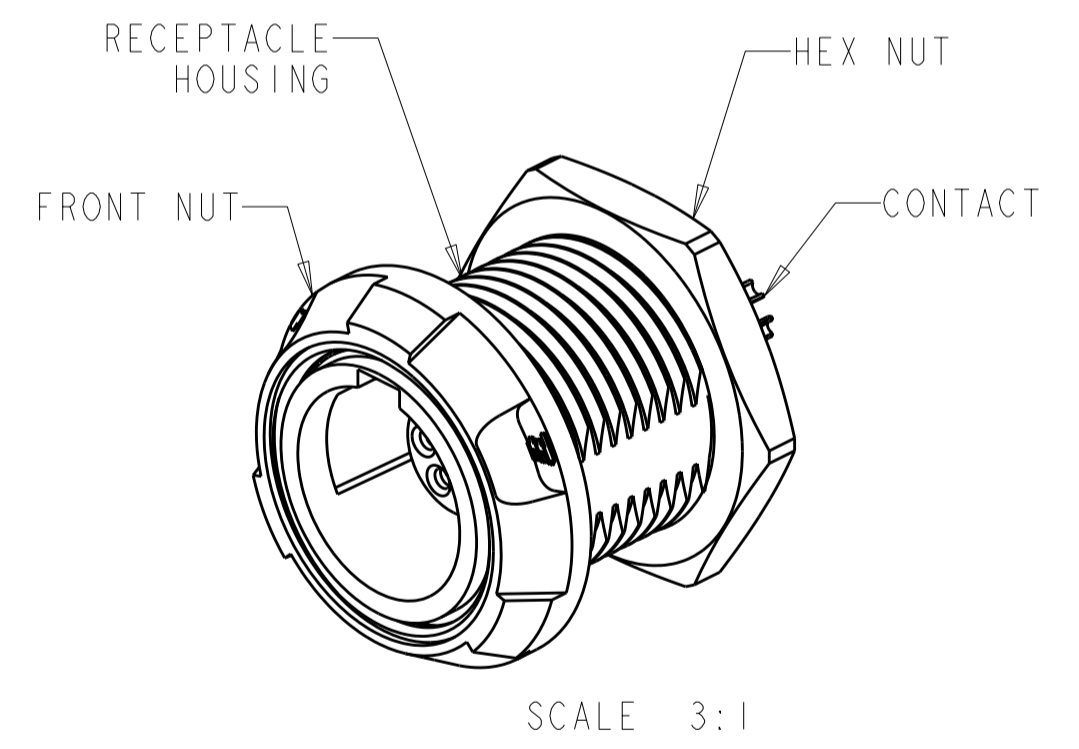
- 1 MATERIAL:  
RECEPTACLE HOUSING, UL 94V-0 RATED THERMOPLASTIC, COLOR:SEE TABLE  
CONTACT, PHOSPHOR BRONZE  
FRONT NUT, UL 94V-0 RATED THERMOPLASTIC, COLOR:SEE TABLE  
HEX NUT, BRASS
- 2 FINISH:  
CONTACT, 0.75µm MIN. GOLD OVER NICKEL  
HEX NUT, NICKEL
- 3 SOLDER TERMINATION CONTACT, 26 AWG WIRE MAX.
- 4 10.0 MAXIMUM PANEL THICKNESS
- 5. INSTALLS FROM FRONT OR REAR OF PANEL
- 6. INGRESS PROTECTION: IP50 (MATED)
- 7 PRELIMINARY PART NUMBER.



DETAIL A  
CIRCUIT DESIGNATION VIEW  
SCALE 8:1



SUGGESTED  
PANEL CUTOUT  
SCALE 4:1



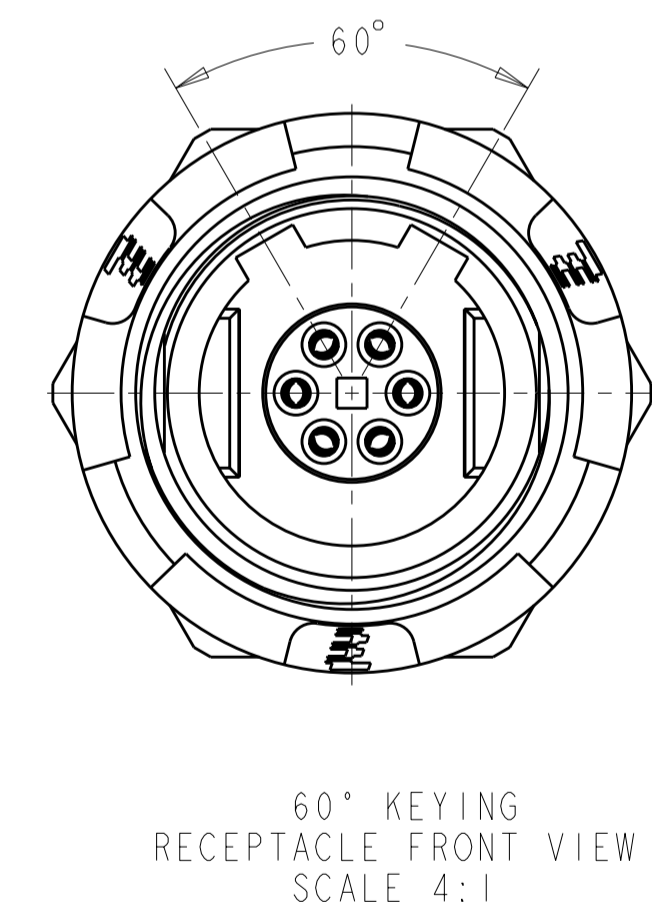
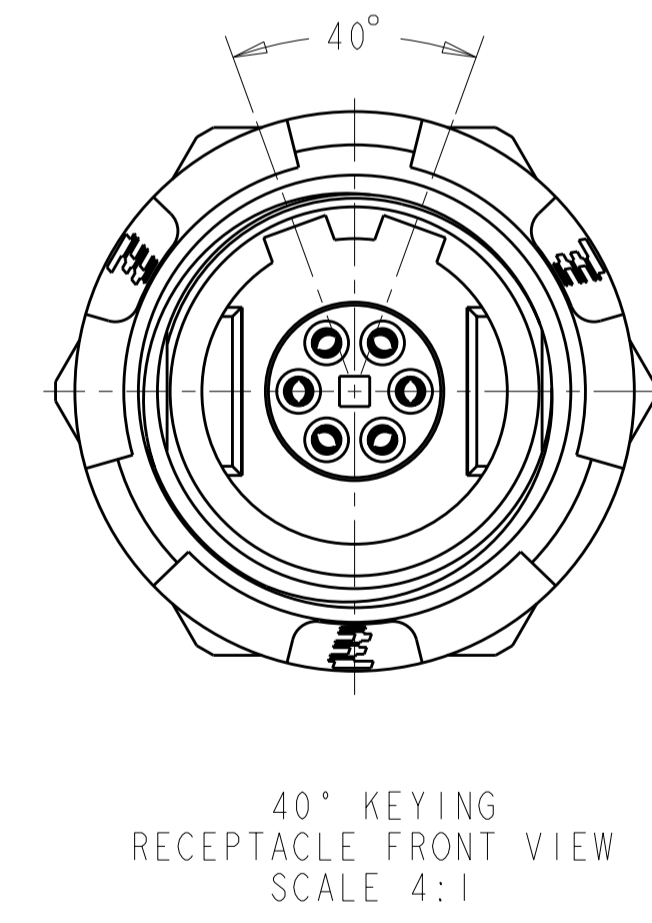
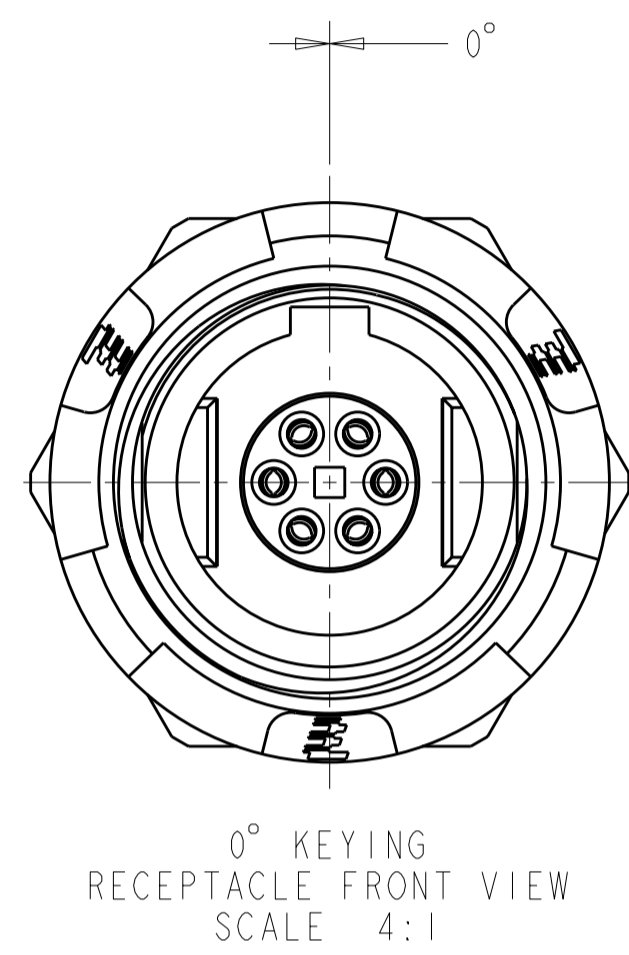
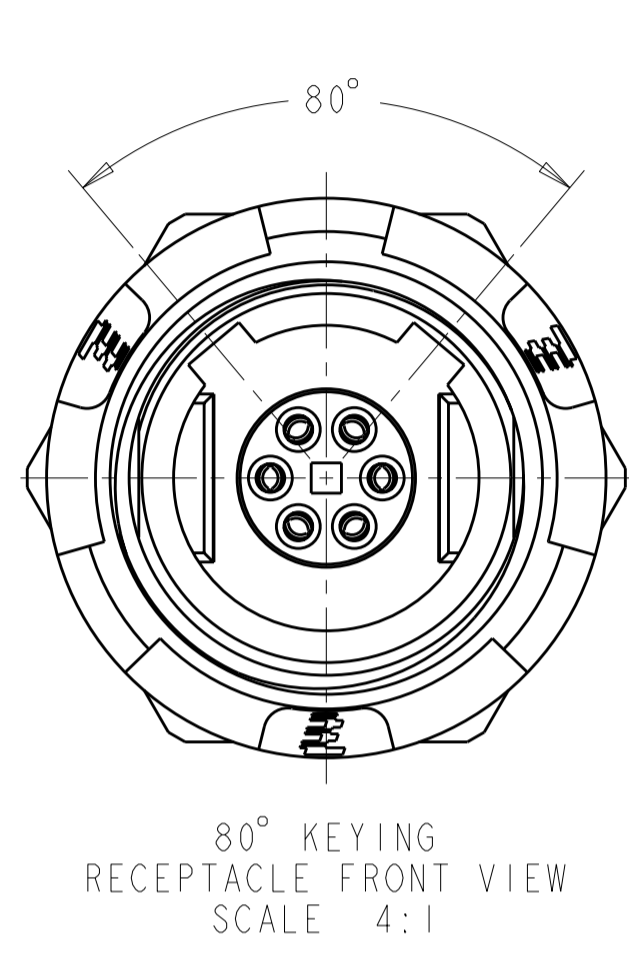
THIS DRAWING IS A CONTROLLED DOCUMENT.		DWN R.L. KOLLER 21 JUN 2005	TE Connectivity	
		CHK L. BREKOSKY 28 JUN 2005		
DIMENSIONS: mm		TOLERANCES UNLESS OTHERWISE SPECIFIED:		NAME RECEPTACLE ASSEMBLY PANEL MOUNT 6 POSITION
		0 PLC ±-	1 PLC ±0.2	PRODUCT SPEC 108-2249
		2 PLC ±0.08	3 PLC ±-	APPLICATION SPEC 114-13184
		4 PLC ±-	ANGLES ±1°	WEIGHT -
MATERIAL		FINISH		SIZE A2
1		2		CAGE CODE 00779
				DRAWING NO 1877067
				RESTRICTED TO -
		CUSTOMER DRAWING		SCALE 5:1 SHEET 1 OF 2 REV C3

THIS DRAWING IS UNPUBLISHED. RELEASED FOR PUBLICATION 20  
 © COPYRIGHT 20 BY - ALL RIGHTS RESERVED.

LOC	DIST	REVISIONS				
P	LTR	DESCRIPTION	DATE	DWN	APVD	
AD	00	SEE SHEET 1				

KEYING	FRONT NUT COLOR	HOUSING COLOR	PART NUMBER
40°	BLUE	BLACK	4-1877067-2
	BLUE	GRAY	4-1877067-1
40°	GREEN	BLACK	4-1877067-0
	GREEN	GRAY	3-1877067-9
40°	YELLOW	BLACK	3-1877067-8
	YELLOW	GRAY	3-1877067-7
40°	WHITE	BLACK	3-1877067-6
	WHITE	GRAY	3-1877067-5
40°	RED	BLACK	3-1877067-4
	RED	GRAY	3-1877067-3
40°	BLACK	BLACK	3-1877067-2
	BLACK	GRAY	3-1877067-1
40°	GRAY	BLACK	3-1877067-0
	GRAY	GRAY	2-1877067-9
80°	BLACK	GRAY	2-1877067-8
	GRAY	BLACK	2-1877067-7
0°	BLACK	GRAY	2-1877067-6
	GRAY	BLACK	2-1877067-5
80°	BLUE	BLACK	2-1877067-4
	BLUE	GRAY	2-1877067-3
0°	BLUE	BLACK	2-1877067-2
	BLUE	GRAY	2-1877067-1
80°	GREEN	BLACK	2-1877067-0
	GREEN	GRAY	1-1877067-9
0°	GREEN	BLACK	1-1877067-8
	GREEN	GRAY	1-1877067-7
80°	YELLOW	BLACK	1-1877067-6
	YELLOW	GRAY	1-1877067-5
0°	YELLOW	BLACK	1-1877067-4
	YELLOW	GRAY	1-1877067-3
80°	WHITE	BLACK	1-1877067-2
	WHITE	GRAY	1-1877067-1
0°	WHITE	BLACK	1-1877067-0
	WHITE	GRAY	1877067-9
80°	RED	BLACK	1877067-8
	RED	GRAY	1877067-7
0°	RED	BLACK	1877067-6
	RED	GRAY	1877067-5
80°	BLACK	BLACK	1877067-4
	GRAY	GRAY	1877067-3
0°	BLACK	BLACK	1877067-2
	GRAY	GRAY	1877067-1

60°	BLUE	BLACK	5-1877067-6	7
	BLUE	GRAY	5-1877067-5	7
60°	GREEN	BLACK	5-1877067-4	7
	GREEN	GRAY	5-1877067-3	7
60°	YELLOW	BLACK	5-1877067-2	7
	YELLOW	GRAY	5-1877067-1	7
60°	WHITE	BLACK	5-1877067-0	7
	WHITE	GRAY	4-1877067-9	7
60°	RED	BLACK	4-1877067-8	7
	RED	GRAY	4-1877067-7	7
60°	BLACK	BLACK	4-1877067-6	7
	BLACK	GRAY	4-1877067-5	7
60°	GRAY	BLACK	4-1877067-4	7
	GRAY	GRAY	4-1877067-3	7



THIS DRAWING IS A CONTROLLED DOCUMENT.		DWN R.L. KOLLER 21 JUN 2005	TE Connectivity	
		CHK L. BREKOSKY 28 JUN 2005		
DIMENSIONS:	TOLERANCES UNLESS OTHERWISE SPECIFIED:	APVD -	NAME RECEPTACLE ASSEMBLY PANEL MOUNT 6 POSITION	
mm	0 PLC ± 1 PLC ±0.2 2 PLC ±0.08 3 PLC ± 4 PLC ±	PRODUCT SPEC 108-2249	SIZE A2	
MATERIAL	ANGLES ±1° FINISH	APPLICATION SPEC 114-13184	CAGE CODE 00779	DRAWING NO 1877067
		WEIGHT -	RESTRICTED TO -	
		CUSTOMER DRAWING	SCALE 5:1	SHEET 2 OF 2
			REV C.3	

单击下面可查看定价，库存，交付和生命周期等信息

[>>TE Connectivity\(泰科\)](#)