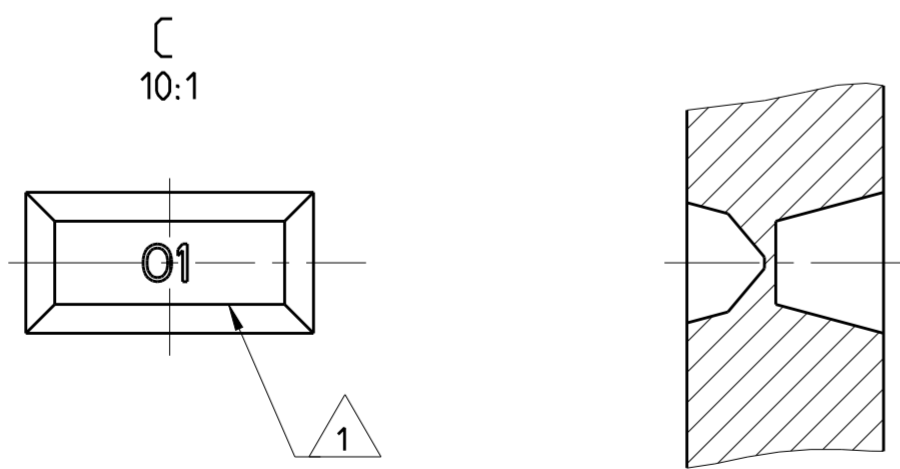
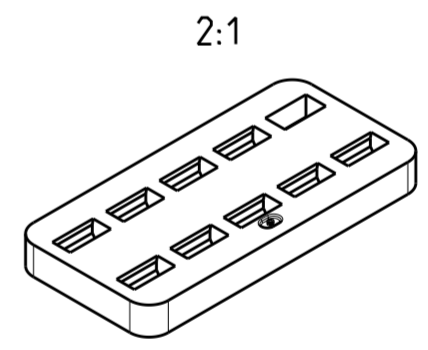
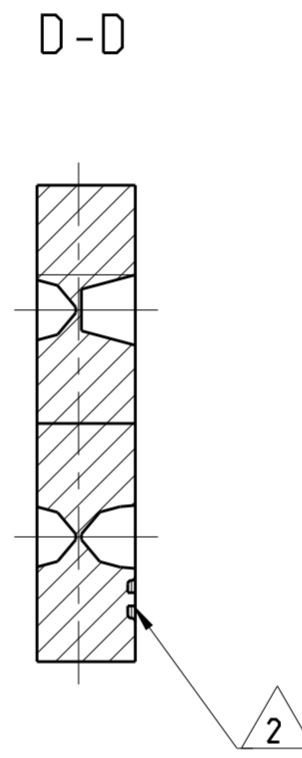
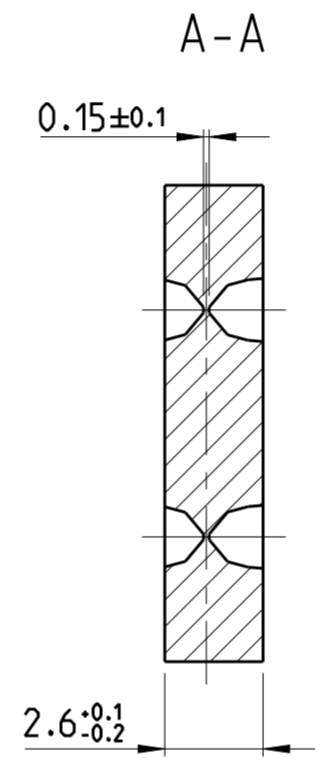
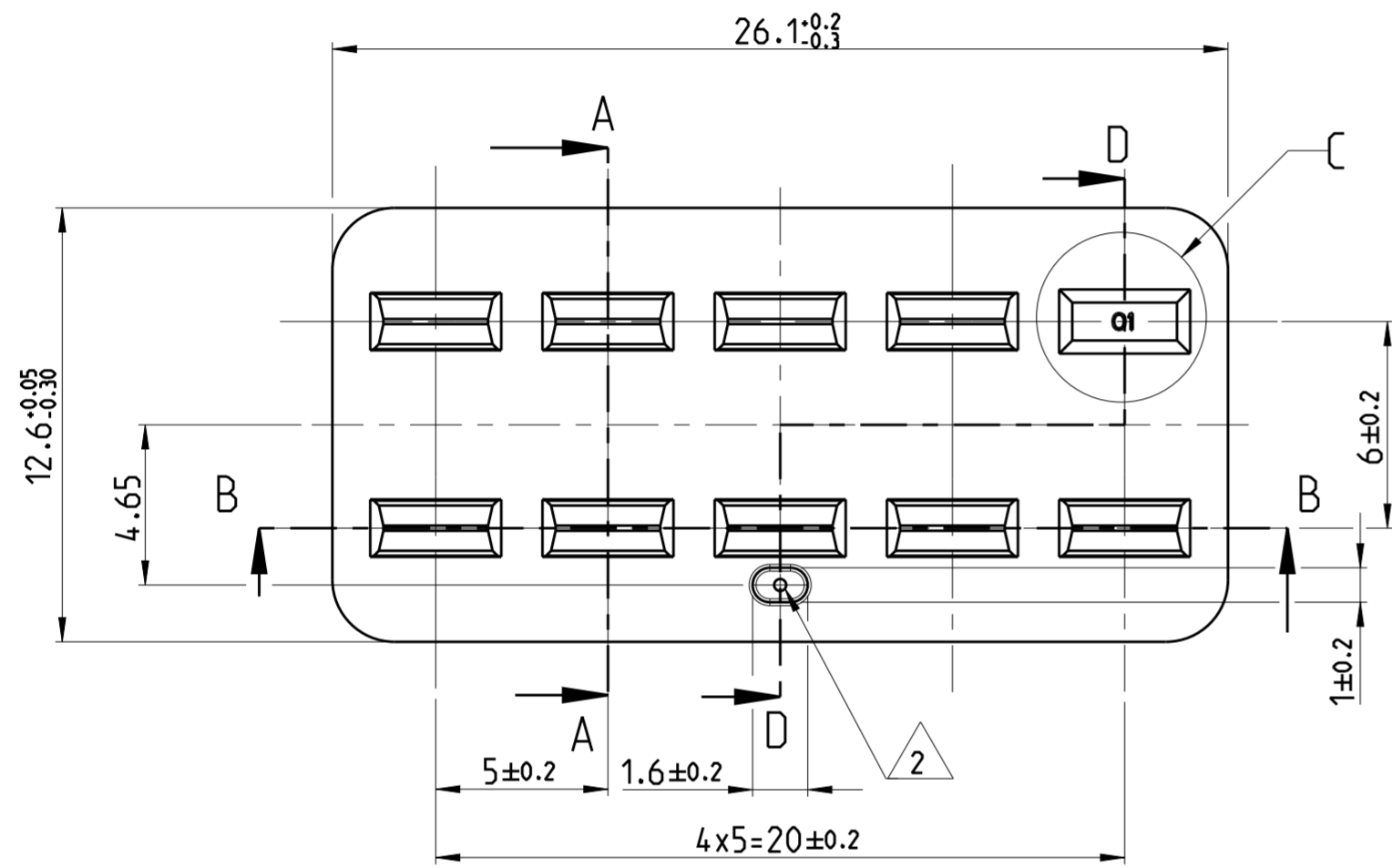
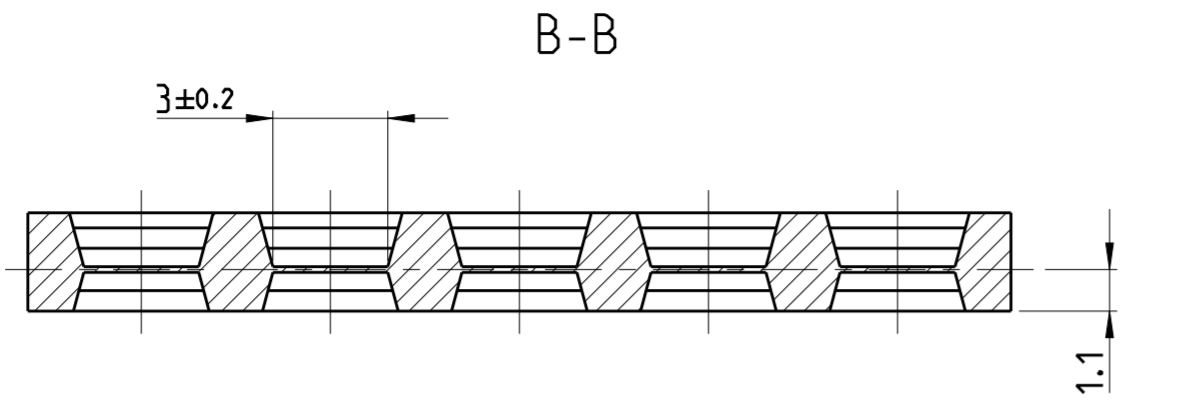


THIS DRAWING IS UNPUBLISHED. RELEASED FOR PUBLICATION 20  
 © COPYRIGHT 20 BY - ALL RIGHTS RESERVED.

PROJECT NO.: A89-52111  
 USED WITH 962352

| P |   | LTR | DESCRIPTION | DATE      | DWN | APVD |
|---|---|-----|-------------|-----------|-----|------|
|   | A |     | NEW DRAWING | 10FEB2015 | SCK | ML   |



NOTES  
 Bemerkungen

- 1 CAVITY MARKING RAISED, OPTIONAL IN ONE OF THE WINDOWS  
 Nestmarkierung erhaben, wahlweise in einem Fenster
- 2 GATE AREA SUNK, GATEMARK MUST NOT GET THROUGH OUTER GEOMETRY  
 Angußbereich vertief, Anguß darf nicht aus der äußeren Geometrie überstehen

|          |     |            |          |             |       |      |
|----------|-----|------------|----------|-------------|-------|------|
| 963213-1 | C   | 0.817      | SILICON  | SEAL        | NATUR | 1    |
| PART NO. | REV | WEIGHT (g) | MATERIAL | DESCRIPTION | COLOR | ITEM |

|  |  |                               |   |  |  |  |
|--|--|-------------------------------|---|--|--|--|
| THIS DRAWING IS A CONTROLLED DOCUMENT. |  | DWN<br>Satish ck 10FEB2015    | TE Connectivity<br>NAME<br>SEALING 10POS. 2.8MM TAB-HSG.<br>Dichtung 10pol. 2.8mm Tab-Gehäuse |  |  |  |
| DIMENSIONS:<br>mm                      |  | CHK<br>Lacko Martin 10FEB2015 |   |  |  |  |
| TOLERANCES UNLESS OTHERWISE SPECIFIED: |  | APVD<br>-                     | PRODUCT SPEC<br>-   |  |  |  |
| 0 PLC ±0.3                             |  | APPLICATION SPEC<br>-         |   |  |  |  |
| 1 PLC ±0.5                             |  | WEIGHT<br>-                   |   |  |  |  |
| 2 PLC ±0.13                            |  | SIZE<br>A2                    |   |  |  |  |
| 3 PLC ±0.013                           |  | CAGE CODE<br>00779            |   |  |  |  |
| 4 PLC ±0.0001                          |  | DRAWING NO<br>G-963213        |   |  |  |  |
| ANGLES ±5°                             |  | RESTRICTED TO<br>-            |   |  |  |  |
| FINISH                                 |  | SCALE 5:1 SHEET 1 OF 1 REV A  |   |  |  |  |
| MATERIAL                               |  | Customer Drawing              |   |  |  |  |

单击下面可查看定价，库存，交付和生命周期等信息

[>>TE Connectivity\(泰科\)](#)