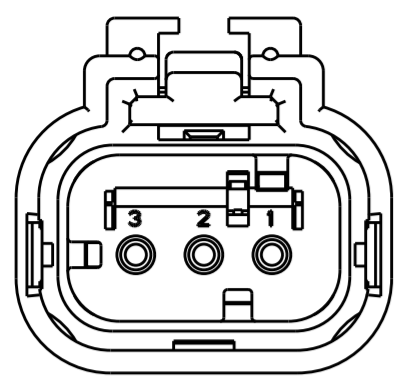
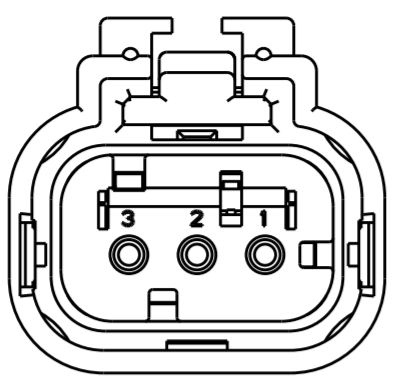


THIS DRAWING IS UNPUBLISHED. RELEASED FOR PUBLICATION 20
 © COPYRIGHT 20 BY - ALL RIGHTS RESERVED.

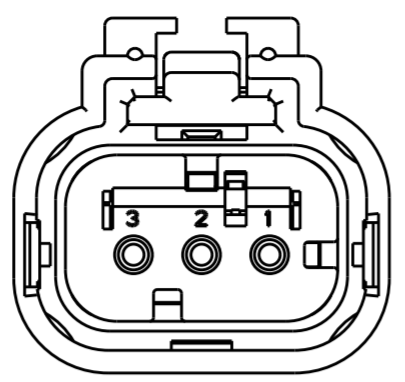
REVISIONS				
P	LTR	DESCRIPTION	DATE	APVD
F		REVISED PER ECO-13-019095	05DEC2013	DR RB



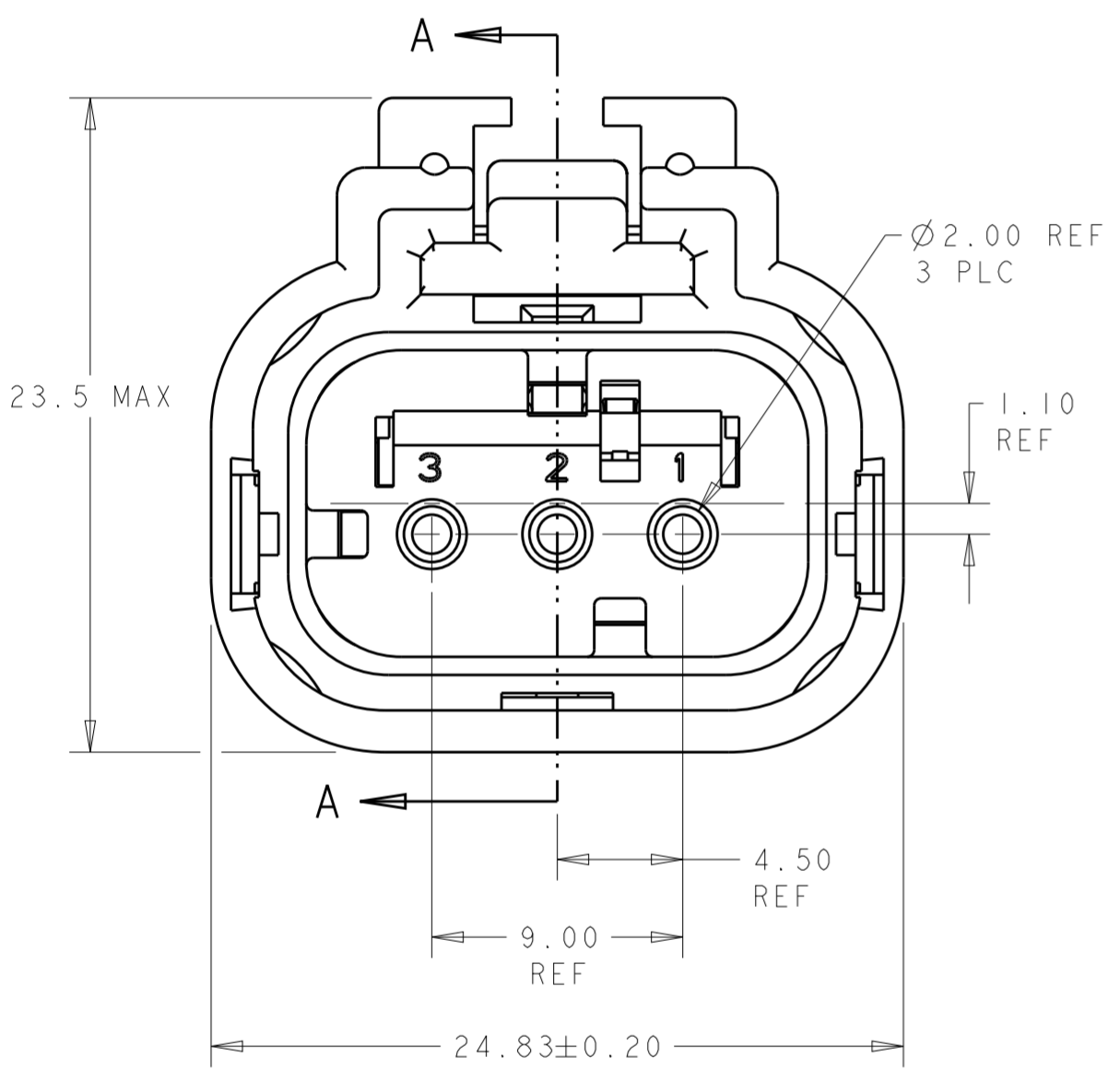
776429-2
SCALE 2:1
KEY B



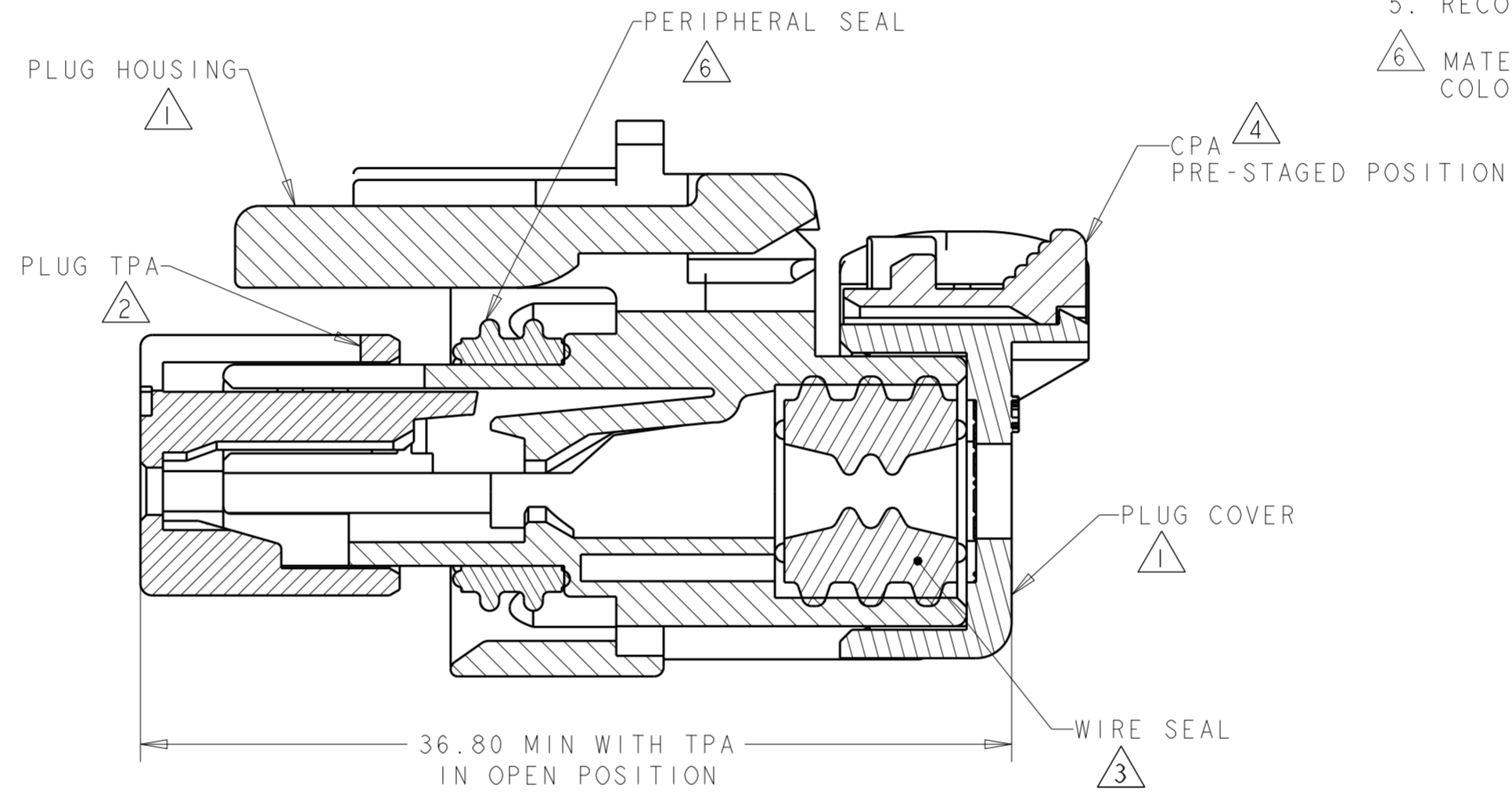
776429-3
SCALE 2:1
KEY C



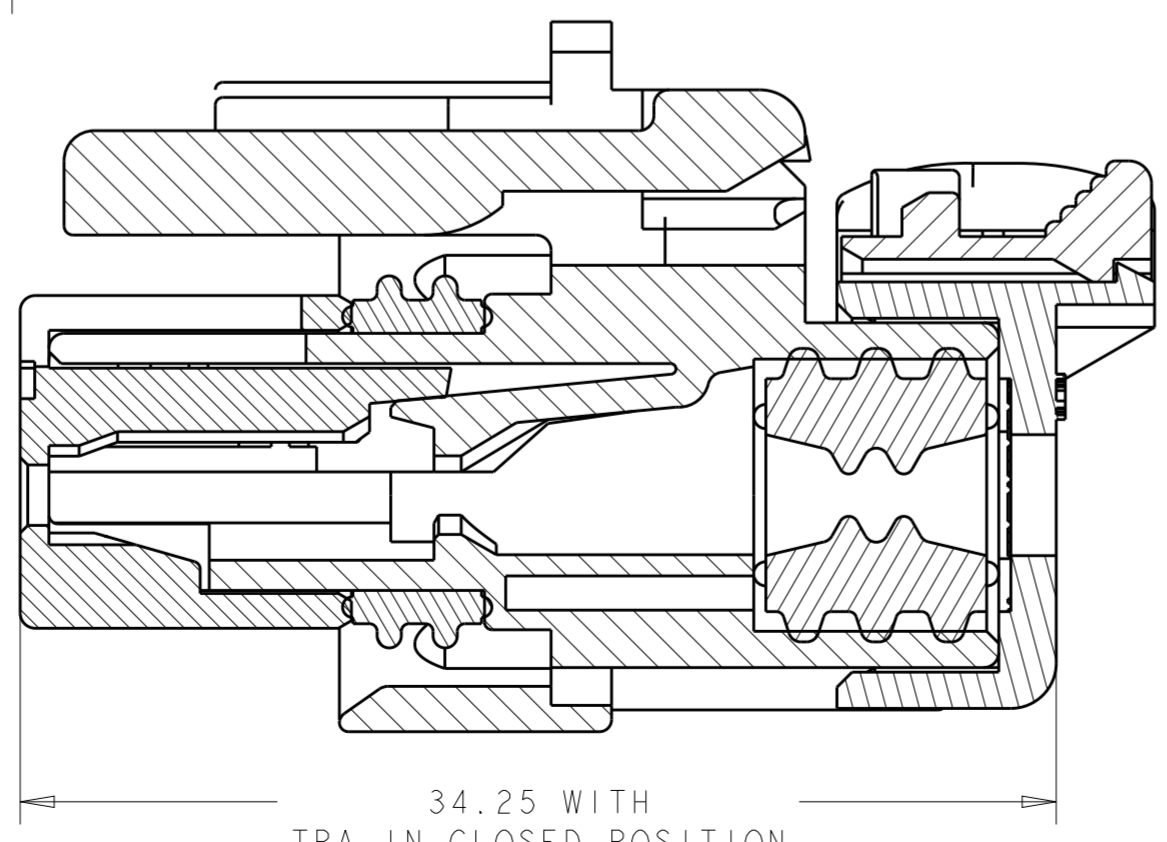
776429-4
SCALE 2:1
KEY D



776429-1 SHOWN
KEY A

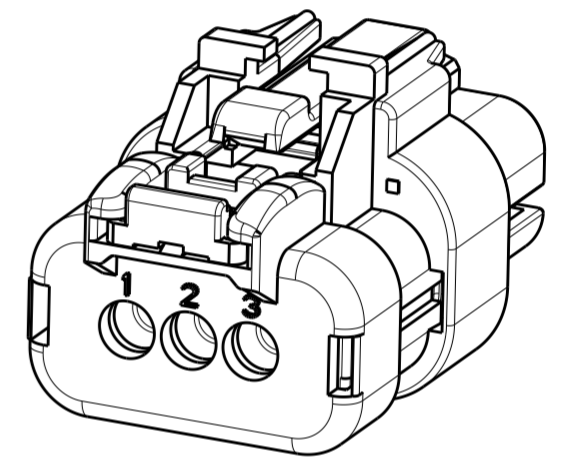


SECTION A-A

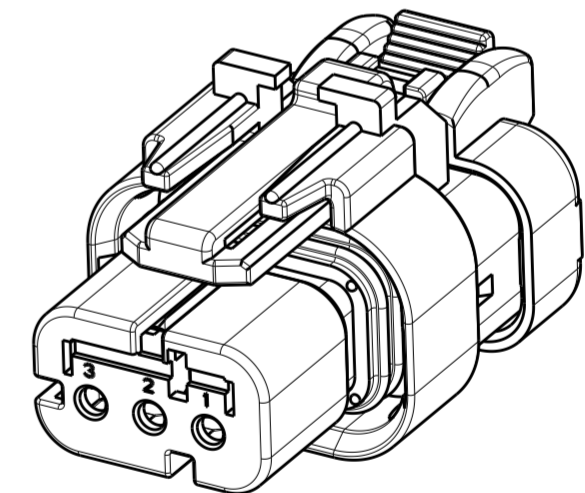


SECTION A-A

- 1 MATERIAL: 15% GLASS FILLED THERMOPLASTIC
COLOR: BLACK
- 2 MATERIAL: 15% GLASS FILLED THERMOPLASTIC
COLOR: (SEE TABLE)
- 3 MATERIAL: SILICONE
COLOR: GREEN
- 4 MATERIAL: 15% GLASS FILLED THERMOPLASTIC
COLOR: RED
- 5. RECOMMENDED WIRE DIAMETER RANGE IS 2.18 TO 3.67mm.
- 6 MATERIAL: SILICONE
COLOR: TAN



SCALE 2:1



SCALE 2:1

D	GREEN	776429-4
C	YELLOW	776429-3
B	GRAY	776429-2
A	RED	776429-1
KEY	TPA COLOR	PART NUMBER

THIS DRAWING IS A CONTROLLED DOCUMENT.		DWN AJ GRAFF 22FEB00	TE Connectivity	
DIMENSIONS:		CHK R GREINER 11DEC01		
mm		APVD M TRULLI 11DEC01		
TOLERANCES UNLESS OTHERWISE SPECIFIED:		PRODUCT SPEC		
0 PLC	±	108-2184	NAME	PLUG ASSEMBLY, 3 POSITION, SINGLE ROW AMPSEAL 16
1 PLC	±	114-13065	SIZE	A200779
2 PLC	±	Customer Drawing	CAGE CODE	C-776429
3 PLC	±		DRAWING NO	RESTRICTED TO
4 PLC	±		WEIGHT	10
ANGLES	±		SCALE	4:1
FINISH	-		SHEET	OF
	-		REV	F

单击下面可查看定价，库存，交付和生命周期等信息

[>>TE Connectivity\(泰科\)](#)