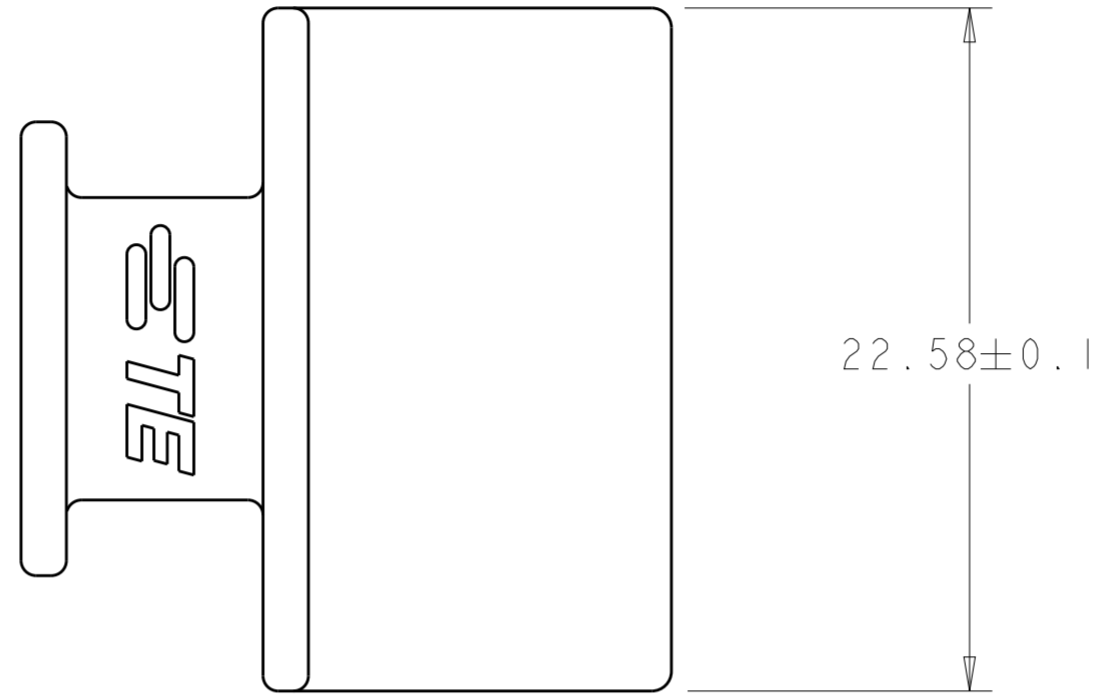
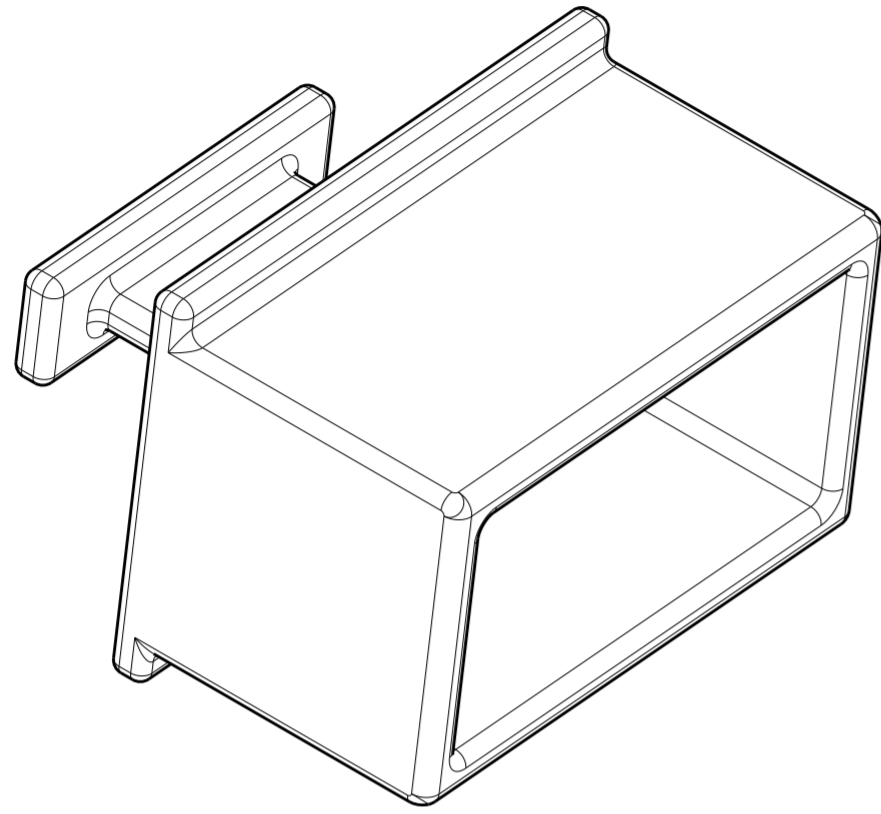
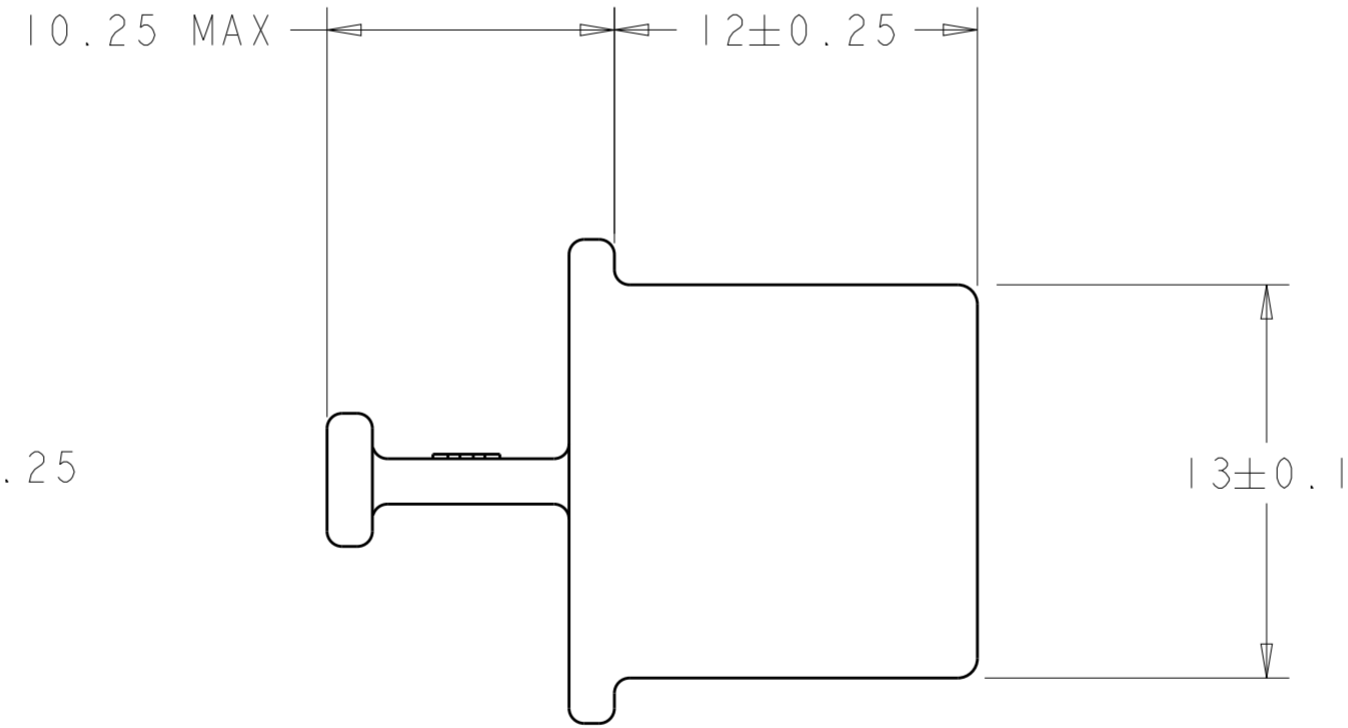
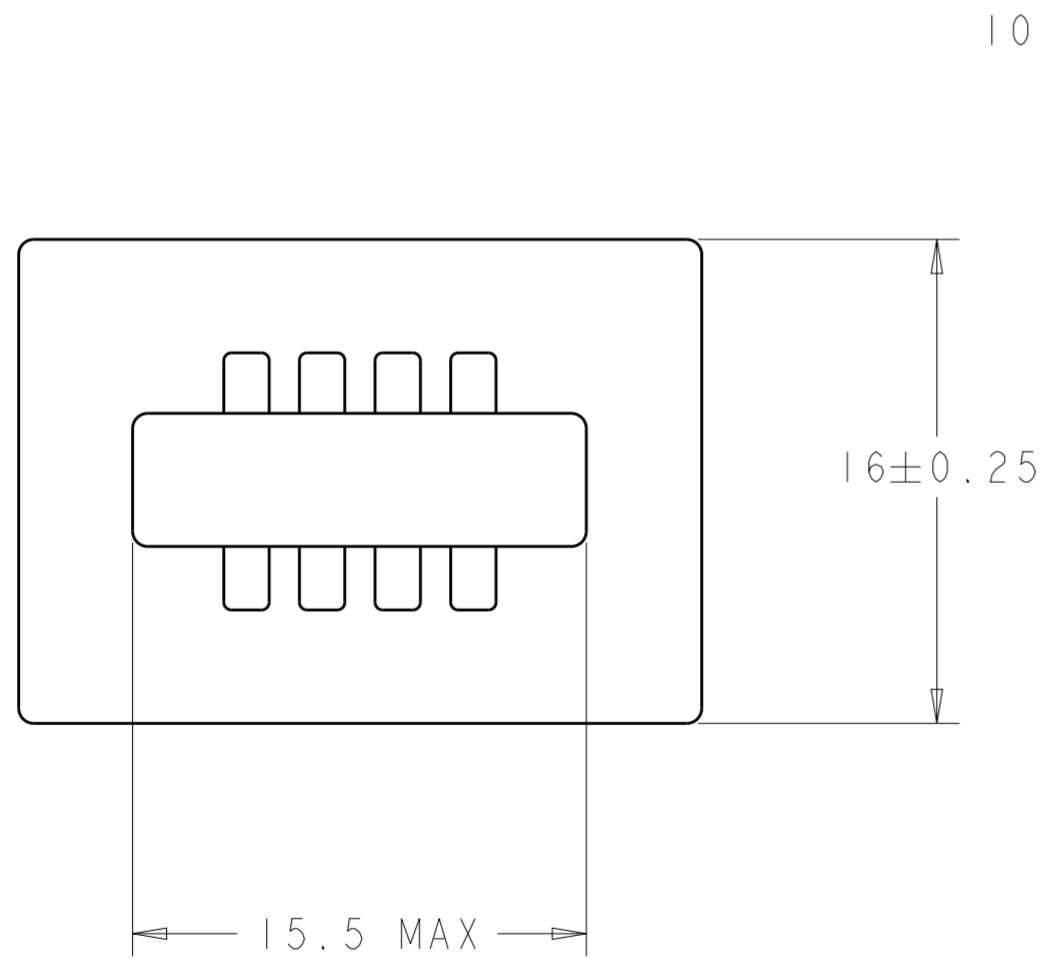


THIS DRAWING IS UNPUBLISHED. RELEASED FOR PUBLICATION 2017  
 © COPYRIGHT 2017 BY - ALL RIGHTS RESERVED.

REVISIONS				
P	LTR	DESCRIPTION	DATE	APVD
A		RELEASED PER ECO-18-006968	29MAY2018	CJV EDB



1 MATERIAL: ZINC ALLOY.  
 2 FINISH: 1.27µm MIN NICKEL OVER 5.08µm MIN COPPER.



2317857-2  
 PART NUMBER

THIS DRAWING IS A CONTROLLED DOCUMENT.		DWN E BRIANT 20MAR2017	<b>STE</b> TE Connectivity	
		CHK E BRIANT 20MAR2017		
		APVD E BRIANT 20MAR2017	NAME EMI AND DUST COVER, OSFP	
DIMENSIONS: mm		TOLERANCES UNLESS OTHERWISE SPECIFIED:		PRODUCT SPEC
0 PLC ±-		1 PLC ±0.5		APPLICATION SPEC
1 PLC ±0.13		2 PLC ±0.13		WEIGHT
2 PLC ±0.13		3 PLC ±0.013		SCALE 4:1 SHEET OF REV A
3 PLC ±0.013		4 PLC ±0.0001		
4 PLC ±0.0001		ANGLES ±		
MATERIAL 1		FINISH 2		
		CUSTOMER DRAWING		

单击下面可查看定价，库存，交付和生命周期等信息

[>>TE Connectivity\(泰科\)](#)