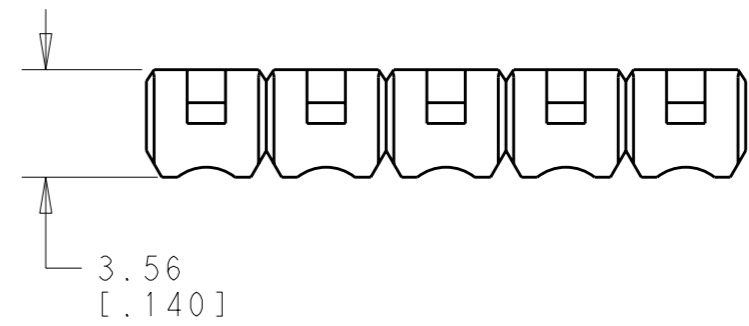
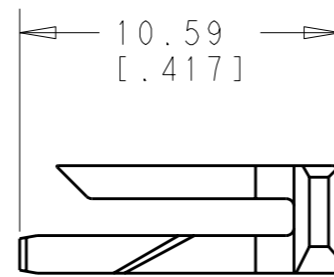
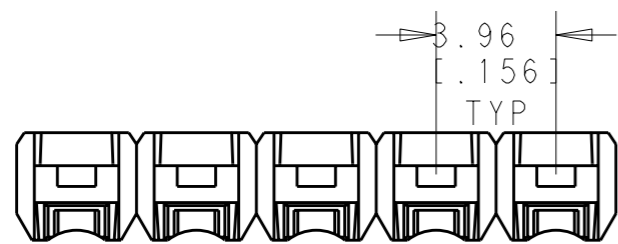
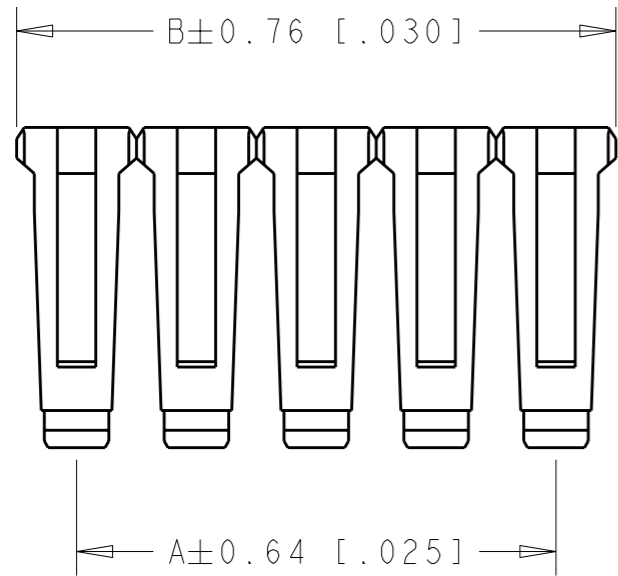
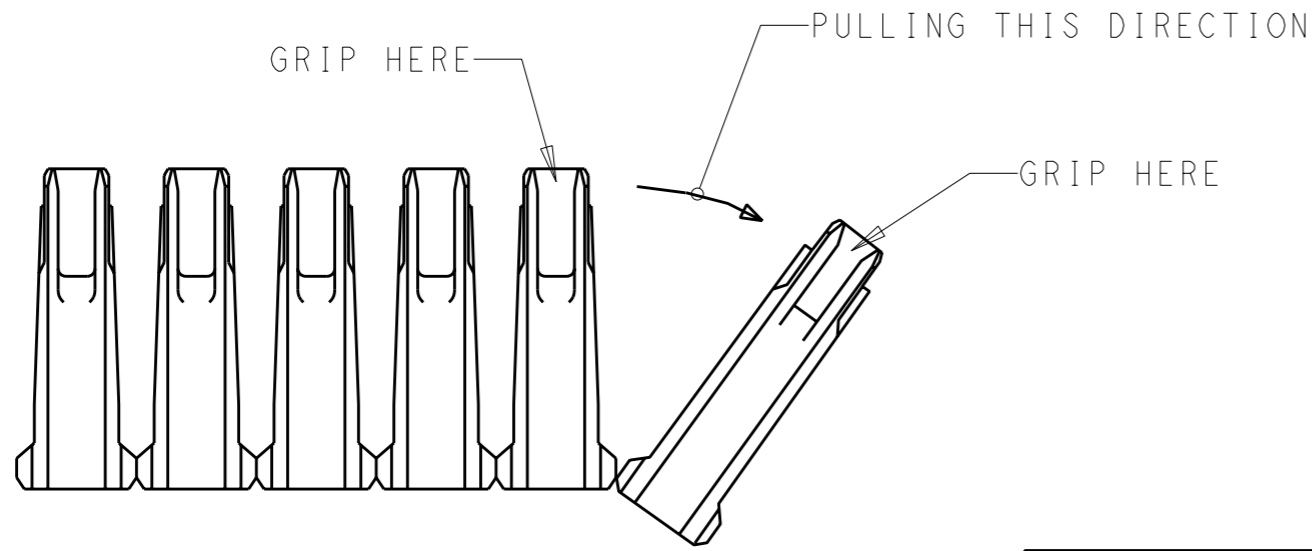


THIS DRAWING IS UNPUBLISHED. RELEASED FOR PUBLICATION 20  
 © COPYRIGHT 20 BY TYCO ELECTRONICS CORPORATION. ALL INTERNATIONAL RIGHTS RESERVED.

LOC	DIST	REVISIONS			
P	LTR	DESCRIPTION	DATE	DWN	APVD
AF	-	A1	REV PER ECO 11-000054	03JAN11	JR SM



- 1 PART TO BE BROKEN AS SHOWN TO FIT 2 THRU 12 POSITION HOUSINGS.
- 2 GOES WITH HOUSING P/N 2132189-X
- 3 BOW IS ACCEPTABLE



BREAK HOUSINGS AS SHOWN

79.25 [3.120]	75.28 [2.964]	2-2132074-0
DIM B	DIM A	PART NO.

<small>THIS DRAWING IS A CONTROLLED DOCUMENT FOR TYCO ELECTRONICS CORPORATION IT IS SUBJECT TO CHANGE AND THE CONTROLLING ENGINEERING ORGANIZATION SHOULD BE CONTACTED FOR THE LATEST REVISION.</small>		DWN JR RUTH 17DEC2010 CHK SAM MACE 17DEC2010 APVD - PRODUCT SPEC - APPLICATION SPEC - WEIGHT -		Tyco Electronics Corporation Harrisburg, PA 17105-3608	
DIMENSIONS: mm [ INCHES ] 		TOLERANCES UNLESS OTHERWISE SPECIFIED: 0 PLC ±- 1 PLC ±.1 2 PLC ±0.25 [ .010 ] 3 PLC ±- 4 PLC ±- ANGLES ±-		NAME SL-156, CONTACT RETAINER SIZE A3 CAGE CODE 00779 DRAWING NO C-2132074 RESTRICTED TO -	
MATERIAL NYLON FINISH BLACK		CUSTOMER DRAWING		SCALE 4:1 SHEET 1 OF 1 REV A1	

单击下面可查看定价，库存，交付和生命周期等信息

[>>TE Connectivity\(泰科\)](#)