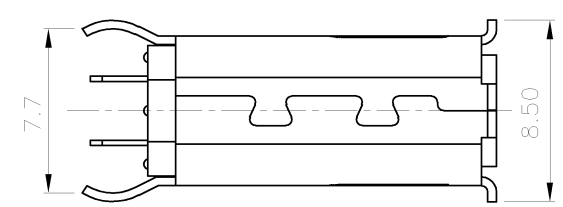
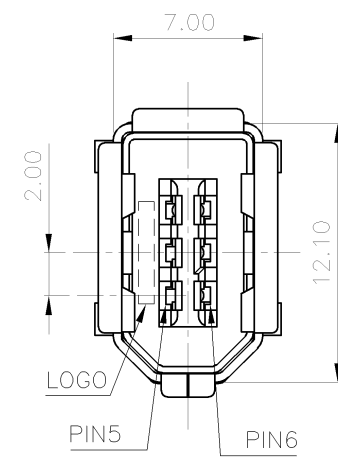
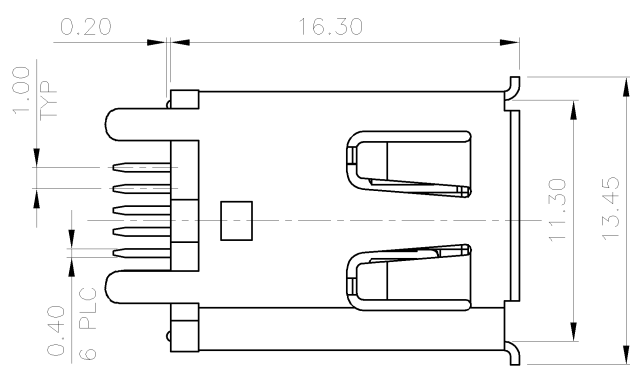
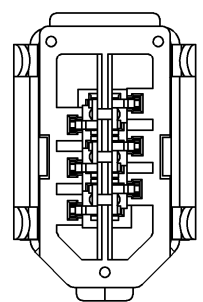
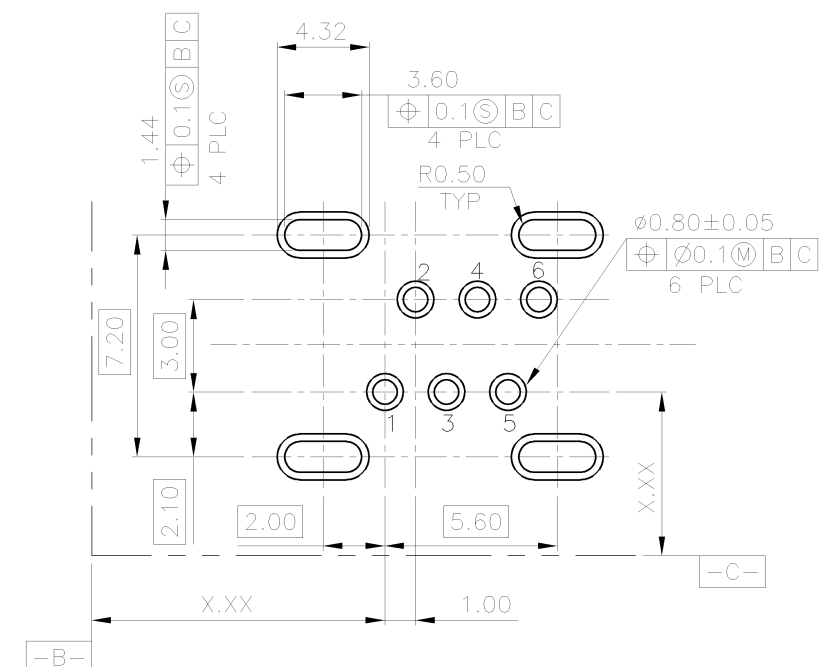
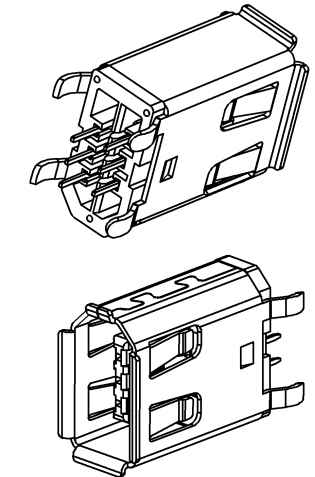
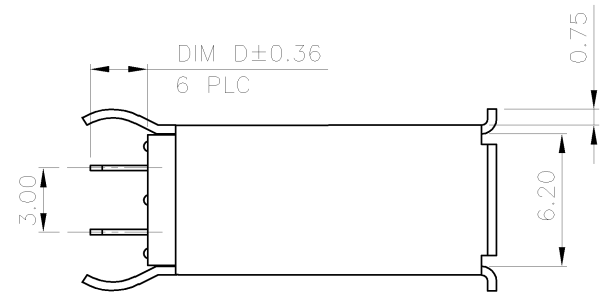


THIS DRAWING IS UNPUBLISHED. RELEASED FOR PUBLICATION  
 © COPYRIGHT 2011 BY TYCO ELECTRONICS CORPORATION. ALL RIGHTS RESERVED.

LOC	DIST	REVISIONS					
DW		P	LTR	DESCRIPTION	DATE	DWN	APVD
		C		REVISED (ECR-13-012457)	14AUG13	JL	WK



RECOMMENDED PCB LAYOUT

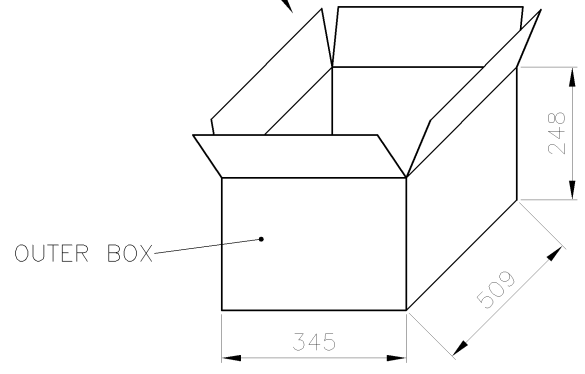
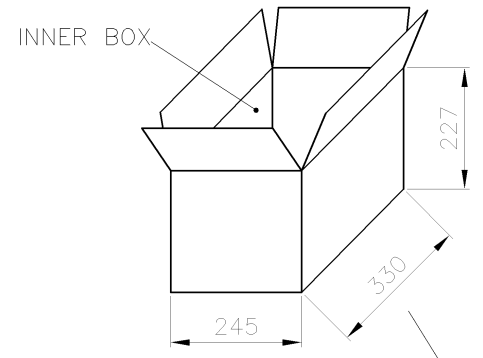
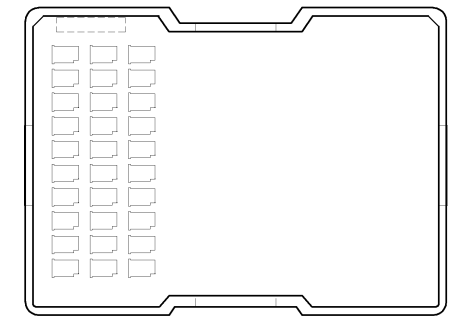
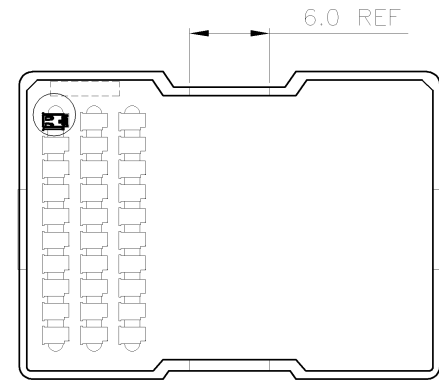
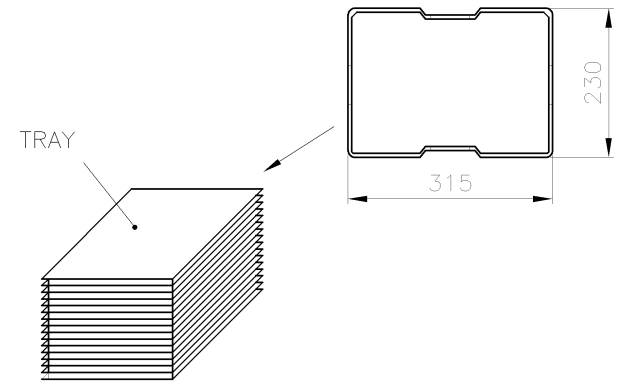
- NOTE:
- MATERIAL:  
 HOUSING: THERMOPLASTIC HIGH TEMP., UL 94V-0, BLACK COLOR.  
 CONTACT: BRASS, THICKNESS=0.25mm.  
 SHELL: PHOSPHOR BRONZE, THICKNESS=0.40mm
  - FINISH:  
 CONTACT: 0.762µm [30µ"] MIN. GOLD PLATED ON CONTACT AREA,  
 2.54µm [100µ"] MIN. TIN-Cu PLATED ON SOLDER TAILS,  
 1.27µm [50µ"] MIN. NICKEL UNDERPLATED ALL OVER.  
 SHELL: 3.048µm [120µ"] MIN. NICKEL PLATED ALL OVER  
 2.54µm [100µ"] MIN. Cu UNDERPLATED ALL OVER
  - REFLOW SOLDER CAPABLE TO 260°C PER TEST SPEC.  
 109-201, CONDITION B.

3.18	1734290-2
2.69	1734290-1
DIM D	PART NUMBER

THIS DRAWING IS A CONTROLLED DOCUMENT.		DWN	O. HU	23DEC2005	<b>TE Connectivity</b>											
DIMENSIONS: mm		CHK	S. HOU	23DEC2005												
TOLERANCES UNLESS OTHERWISE SPECIFIED:		APVD	W.J. KE	23DEC2005												
<table border="1"> <tr><td>0 PLC</td><td>± 0.38</td></tr> <tr><td>1 PLC</td><td>± 0.25</td></tr> <tr><td>2 PLC</td><td>± 0.13</td></tr> <tr><td>3 PLC</td><td>± 0.05</td></tr> <tr><td>4 PLC</td><td>±</td></tr> <tr><td>ANGLES</td><td>± 3'</td></tr> </table>		0 PLC	± 0.38	1 PLC		± 0.25	2 PLC	± 0.13	3 PLC	± 0.05	4 PLC	±	ANGLES	± 3'	NAME	IEEE 1394, RCPT, 6P VERTICAL, T/H
0 PLC	± 0.38															
1 PLC	± 0.25															
2 PLC	± 0.13															
3 PLC	± 0.05															
4 PLC	±															
ANGLES	± 3'															
MATERIAL	SEE NOTE	FINISH	SEE NOTE	108-57599	SIZE	A3	CAGE CODE	00779	DRAWING NO	C=1734290	RESTRICTED TO	-				
CUSTOMER DRAWING		WEIGHT	2.62 GRAMS		SCALE	-	SHEET	1 of 2		REV	C					

THIS DRAWING IS UNPUBLISHED. RELEASED FOR PUBLICATION  
 © COPYRIGHT 2011 BY TYCO ELECTRONICS CORPORATION. ALL RIGHTS RESERVED.

LOC DW	DIST	REVISIONS			
P	LTR	DESCRIPTION	DATE	DWN	APVD
		SEE SHEET 1.			



- NOTES:
- MATERIAL:  
 TRAY: PET  
 SHIPPING BOX: CORRUGATED FIBER.
  - DIMENSION:  
 TRAY: L=315mm, W=230mm, H=11.3mm  
 SHIPPING BOX: 509mm\*345mm\*248mm
  - QUANTITY: SEE TABLE.
  - WEIGHT: SEE TABLE.

15.0	14.0	4000	2	20	100
N.W(KGS)	N.W(KGS)	PACKAGING QTY'S/ OUTER BOX	INNER BOX/ OUTER BOX	TRAYS/ INNER BOX	PCS/ TRAY

THIS DRAWING IS A CONTROLLED DOCUMENT.

DIMENSIONS: mm	TOLERANCES UNLESS OTHERWISE SPECIFIED:	DWN	<b>STE</b> TE Connectivity				
 0 PLC ± - 1 PLC ± - 2 PLC ± - 3 PLC ± - 4 PLC ± - ANGLES ± -	FINISH	CHK	NAME				
		APVD	IEEE 1394, RCPT, 6P VERTICAL, T/H				
		PRODUCT SPEC	SIZE	CAGE CODE	DRAWING NO	RESTRICTED TO	
		APPLICATION SPEC	A3	00779	C=1734290	-	
MATERIAL		WEIGHT	CUSTOMER DRAWING		SCALE	SHEET 2 of 2	REV C

单击下面可查看定价，库存，交付和生命周期等信息

[>>TE Connectivity\(泰科\)](#)