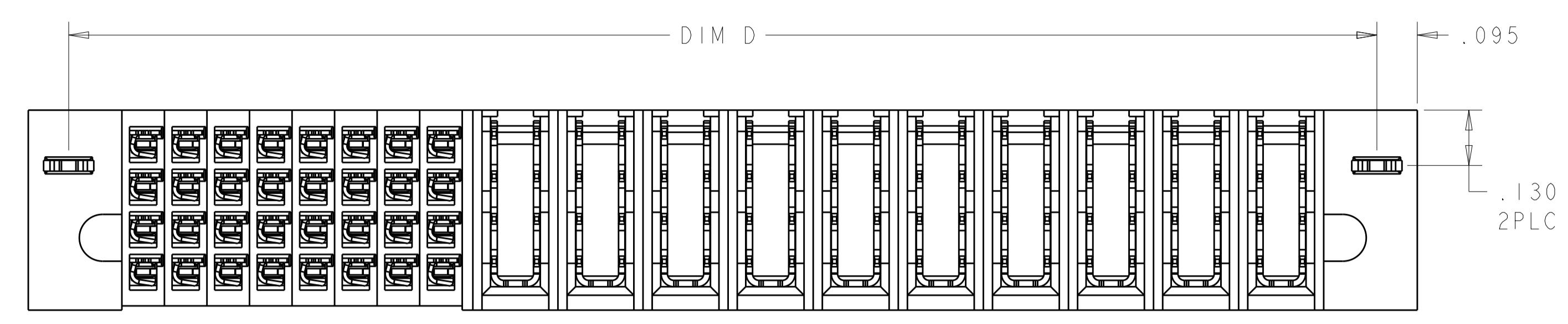
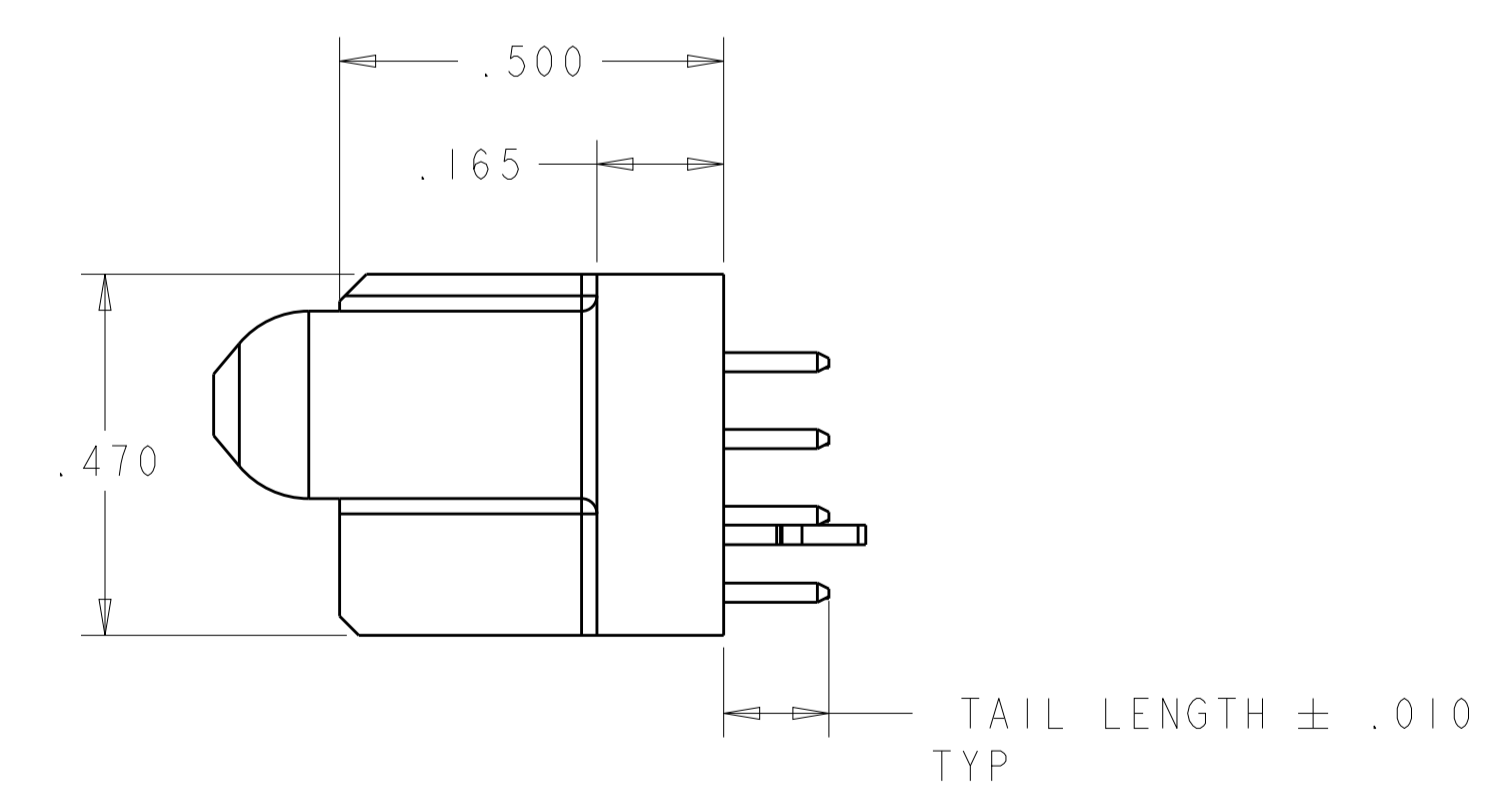
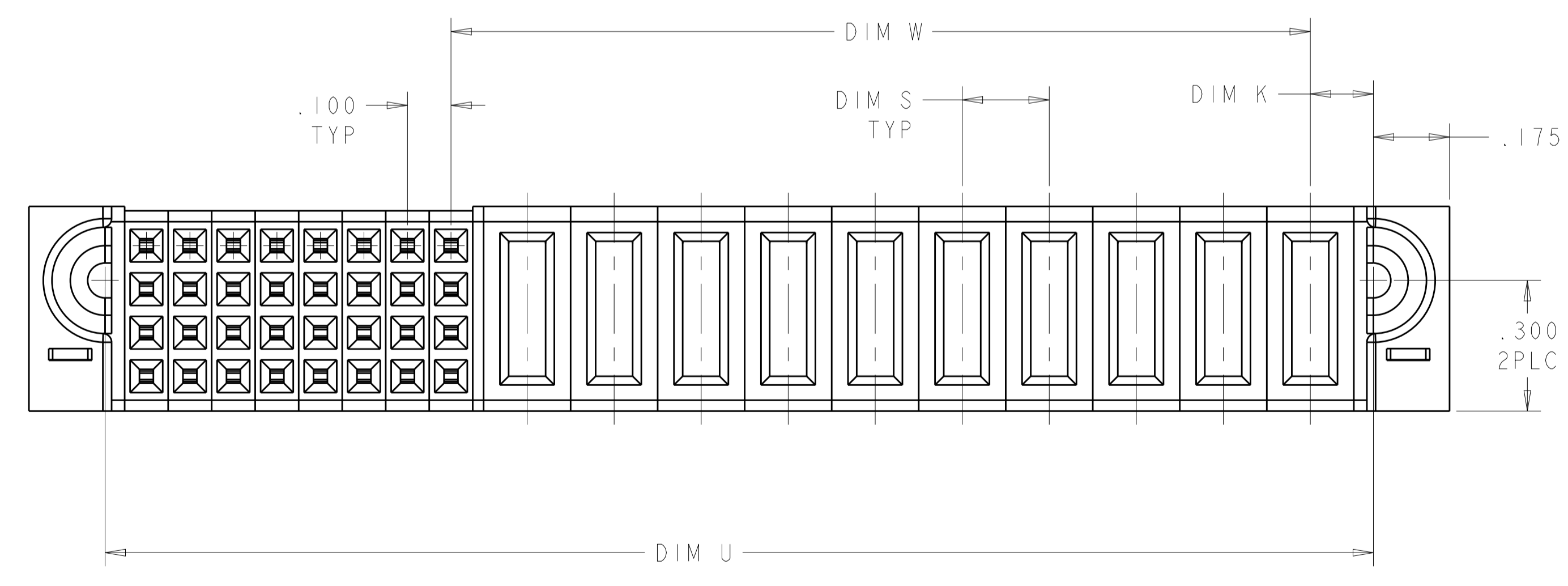
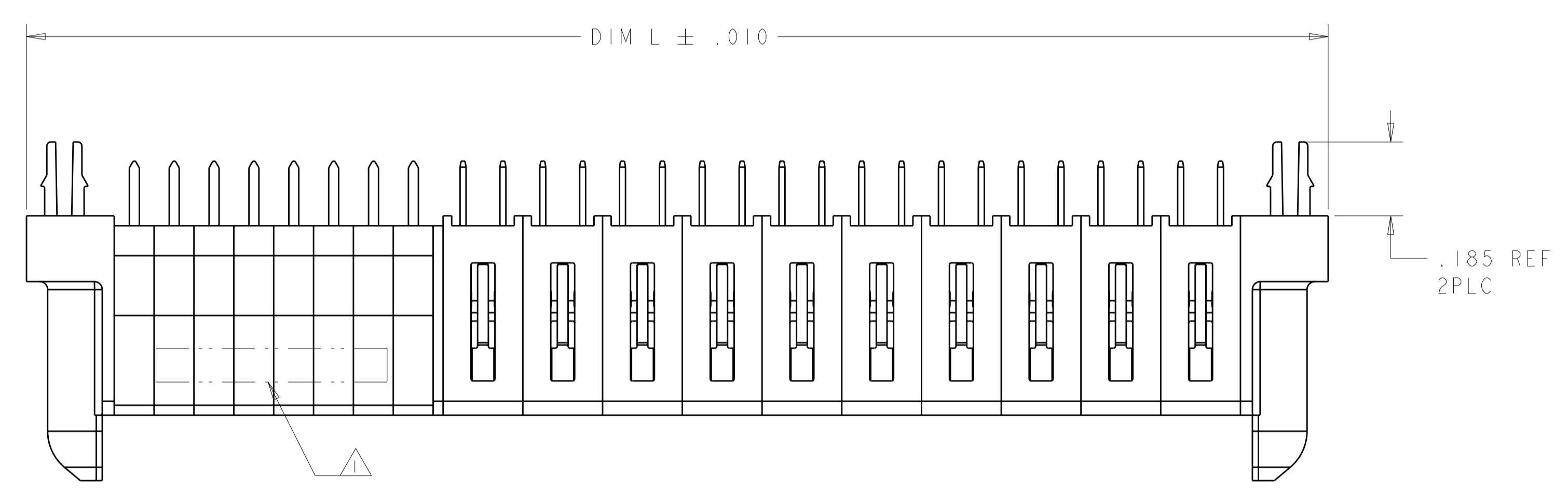


LOC		DIST		REVISIONS			
ES	00	P	LTN	DESCRIPTION	DATE	DMN	APVD
		C2		ADD NEW DASH NUMBER 1-2	04FEB2015	CZ	SZ
		C3		ADDED NEW DASH NUMBER 2-2	12DEC2016	CZ	SZ
		C4		REV PER ECO-17-001490	16DEC2016	CZ	SZ



- 1 "AMP", TRADEMARK, PART NUMBER AND DATE CODE TO BE MARKED IN AREA SHOWN
- 2 MATERIAL: HOUSING - GLASS FILLED HIGH TEMP THERMO PLASTIC, UL94 V-0, BLACK
SIGNAL CONTACT - HIGH CONDUCTIVITY COPPER ALLOY
POWER CONTACT - HIGH CONDUCTIVITY COPPER ALLOY
- 3 CONTACT PLATING: NOBLE METAL PLATING ON CONTACT FUNCTIONAL AREA OF POWER AND SIGNAL CONTACTS
- 4 MECHANICAL CONNECTOR KEEP OUT ZONE
- 5 DATUM AND BASIC DIMENSIONS ESTABLISHED BY CUSTOMER
- 6 PCB - ALL HOLE DIAMETERS ARE FINISHED HOLE SIZES
- 7 PCB - .0453 ±.0010 DRILLED HOLES PLATED WITH .0003 MIN Sn OVER .001 TO .003 CU PLATING TO ACHIEVE A .040±.003 DIA HOLE
- 8 VARIABLE DIMENSIONS PLEASE SEE SHEET 2 OR TABLE ON PART VIEW..


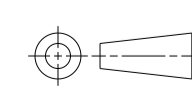


THIS DRAWING IS A CONTROLLED DOCUMENT.		DMN	H.LIU	28MAY2008	TE Connectivity
DIMENSIONS: INCHES		CHK	S.ZHAO	28MAY2008	
TOLERANCES UNLESS OTHERWISE SPECIFIED:		APVD	S.YAO		NAME
0 PLC	±	PRODUCT SPEC		VERTICAL RECEPTACLE ASSEMBLY, WITH GUIDES MULTI-BEAM XLE	
1 PLC	±.01	APPLICATION SPEC		SIZE	CAGE CODE
2 PLC	±.005	WEIGHT		A1	00779
3 PLC	±.0020	CUSTOMER DRAWING		SCALE	1:1
4 PLC	±.0020	SHEET		1	OF 10
ANGLES	±.0020	REV		C4	

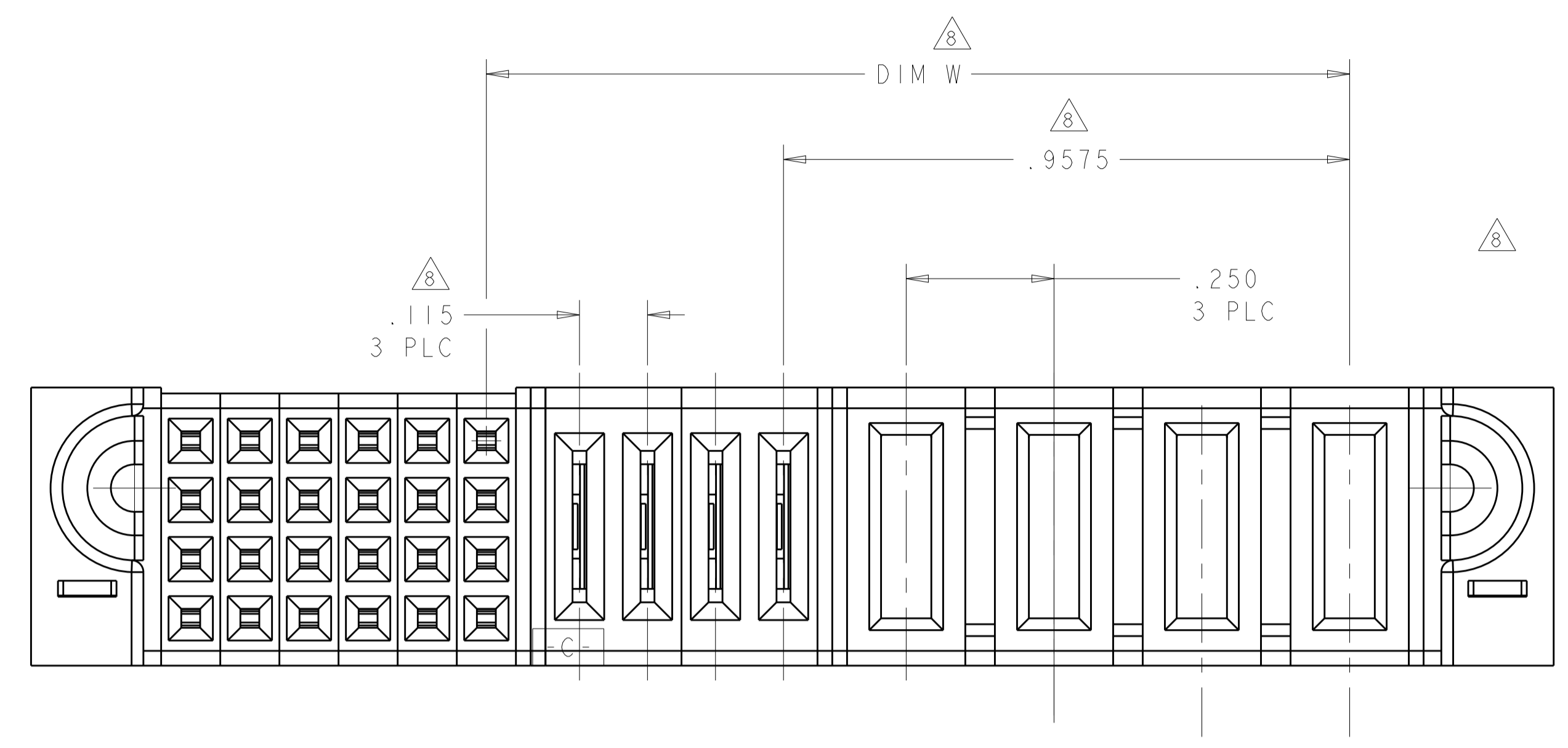
THIS DRAWING IS UNPUBLISHED. RELEASED FOR PUBLICATION 20
 © COPYRIGHT 20 BY - ALL RIGHTS RESERVED.

LOC	DIST	REVISIONS			
P	LTN	DESCRIPTION	DATE	DWN	APVD
-	-	SEE SHEET 1	-	-	-


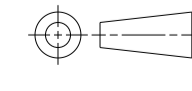
\triangle	4.640	4.290	4.450	2.550	.145	5P+2HDP+4P+64S	2-6450852-2
.250	1.490	1.140	1.300	.675	.170	3P + 12S	1-6450852-2
.250	2.690	2.340	2.500	-	.170	9P	6450852-9
.250	3.090	2.740	2.900	1.950	.170	8P + 24S	6450852-8
\triangle	4.640	4.290	4.450	2.550	.145	5P+2HDP+4P+64S	6450852-7
.200	1.090	.740	.900	-	.170	3HDP	6450852-6
\triangle	4.015	3.665	3.825	3.075	.195	3ACP + 9P + 16S	6450852-5
.200	3.065	2.715	2.875	1.975	.145	10HDP + 24S	6450852-4
.200	3.065	2.715	2.875	1.975	.145	10HDP + 24S	6450852-3
.250	2.575	2.225	2.385	1.460	\triangle .170	4P + 4LP + 24S	6450852-2
.200	3.265	2.915	3.075	1.975	.145	10HDP + 32S	6450852-1
DIM S	DIM L	DIM U	DIM D	DIM W	DIM K	DESCRIPTION	PART NUMBER

THIS DRAWING IS A CONTROLLED DOCUMENT.		DWN H. LIU 28MAY2008	 TE Connectivity
DIMENSIONS: INCHES		CHK S. ZHAO 28MAY2008	
		APVD S. YAO	NAME VERTICAL RECEPTACLE ASSEMBLY, WITH GUIDES MULTI-BEAM XLE
TOLERANCES UNLESS OTHERWISE SPECIFIED:		PRODUCT SPEC 108-1973	SIZE A100779
0 PLC ±. 1 PLC ±. 2 PLC ±.01 3 PLC ±.005 4 PLC ±.0020 ANGLES ±.020 FINISH		APPLICATION SPEC 114-13038	DRAWING NO C=6450852
MATERIAL		WEIGHT	RESTRICTED TO
CUSTOMER DRAWING		SCALE 4:1	SHEET 2 OF 10 REV C4

LOC		DIST		REVISIONS			
P	LTN	DESCRIPTION	DATE	DWN	APVD		
-	-	SEE SHEET 1	-	-	-		



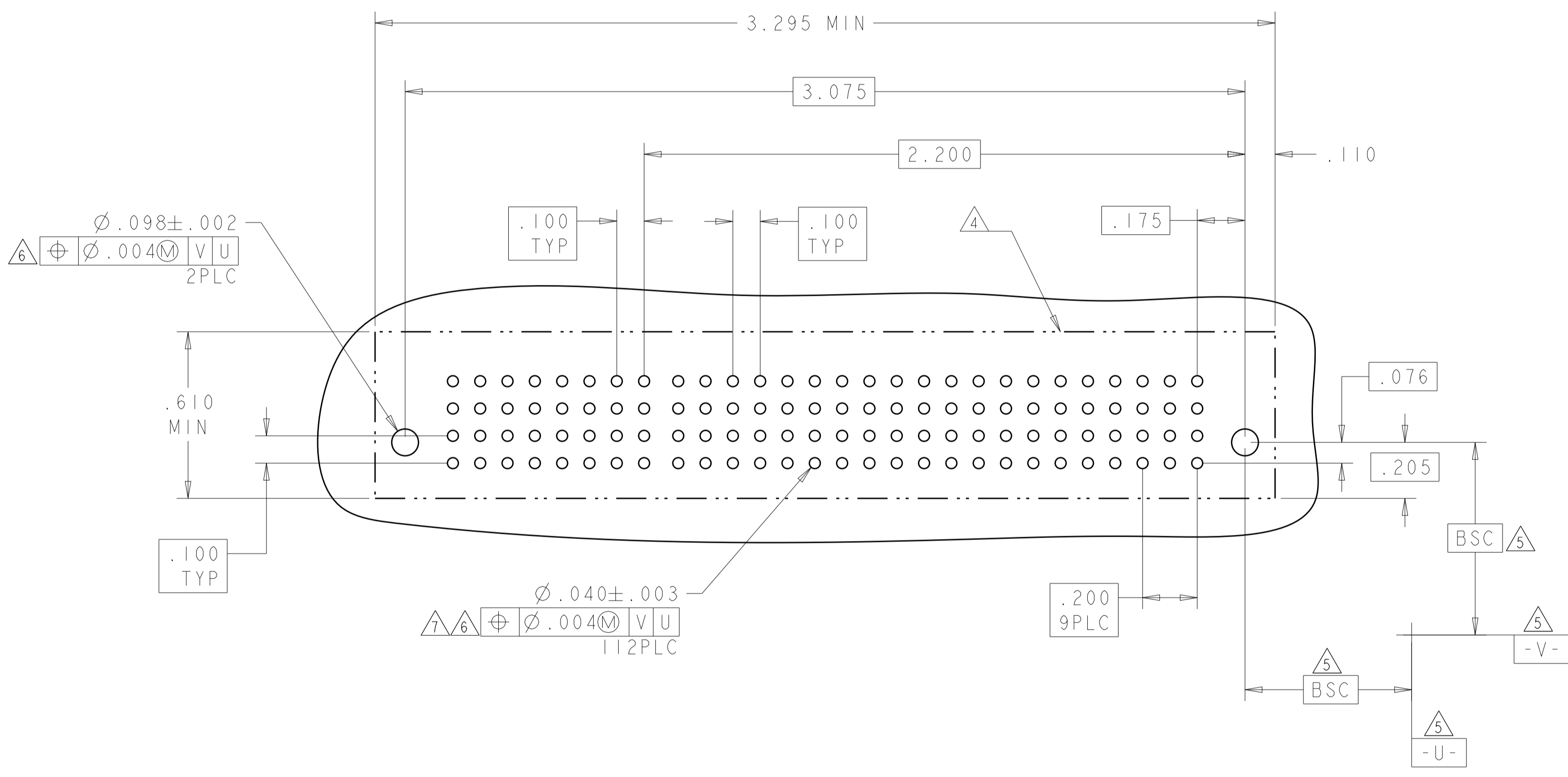
FOR P/N:6450852-2, OTHER DIMENSIONS PLEASE SEE TABLE.

THIS DRAWING IS A CONTROLLED DOCUMENT.		DWN H. LIU 28MAY2008	 TE Connectivity
DIMENSIONS: INCHES		CHK S. ZHAO 28MAY2008	
TOLERANCES UNLESS OTHERWISE SPECIFIED: 0 PLC ±. 1 PLC ±. 2 PLC ±.01 3 PLC ±.005 4 PLC ±.0020 ANGLES ±.7° FINISH		APVD S. YAO	NAME VERTICAL RECEPTACLE ASSEMBLY, WITH GUIDES MULTI-BEAM XLE
		PRODUCT SPEC 108-1973	RESTRICTED TO
MATERIAL		APPLICATION SPEC 114-13038	SIZE CAGE CODE DRAWING NO A100779C=6450852
		WEIGHT	SCALE 4:1 SHEET 3 OF 10 REV C4
		CUSTOMER DRAWING	

LOC	DIST	REVISIONS			
P	LTN	DESCRIPTION	DATE	DMN	APVD
-	-	SEE SHEET 1	-	-	-

PART NUMBER	ROWS	SIGNAL								POWER									
		8	7	6	5	4	3	2	1	P10	P9	P8	P7	P6	P5	P4	P3	P2	P1
6450852-1	D	E	E	E	E	E	E	E	E	VM	VM	VM	VM	VM	VM	VM	VM	VM	VM
	C	E	E	E	E	E	E	E	E	VM	VM	VM	VM	VM	VM	VM	VM	VM	VM
	B	E	E	E	E	E	E	E	E	VM	VM	VM	VM	VM	VM	VM	VM	VM	VM
	A	E	E	E	E	E	E	E	E	VM	VM	VM	VM	VM	VM	VM	VM	VM	VM

10HDP + 32S



E	SIGNAL CONTACT .135" TAIL LENGTH
LM	LOWER POWER CONTACT, STD.135" TAIL LENGTH
VA	POWER CONTACT, MFBL.135" TAIL LENGTH
VM	POWER CONTACT, STD.135" TAIL LENGTH
CODE	DESCRIPTION
CONTACTS	

THIS DRAWING IS A CONTROLLED DOCUMENT.

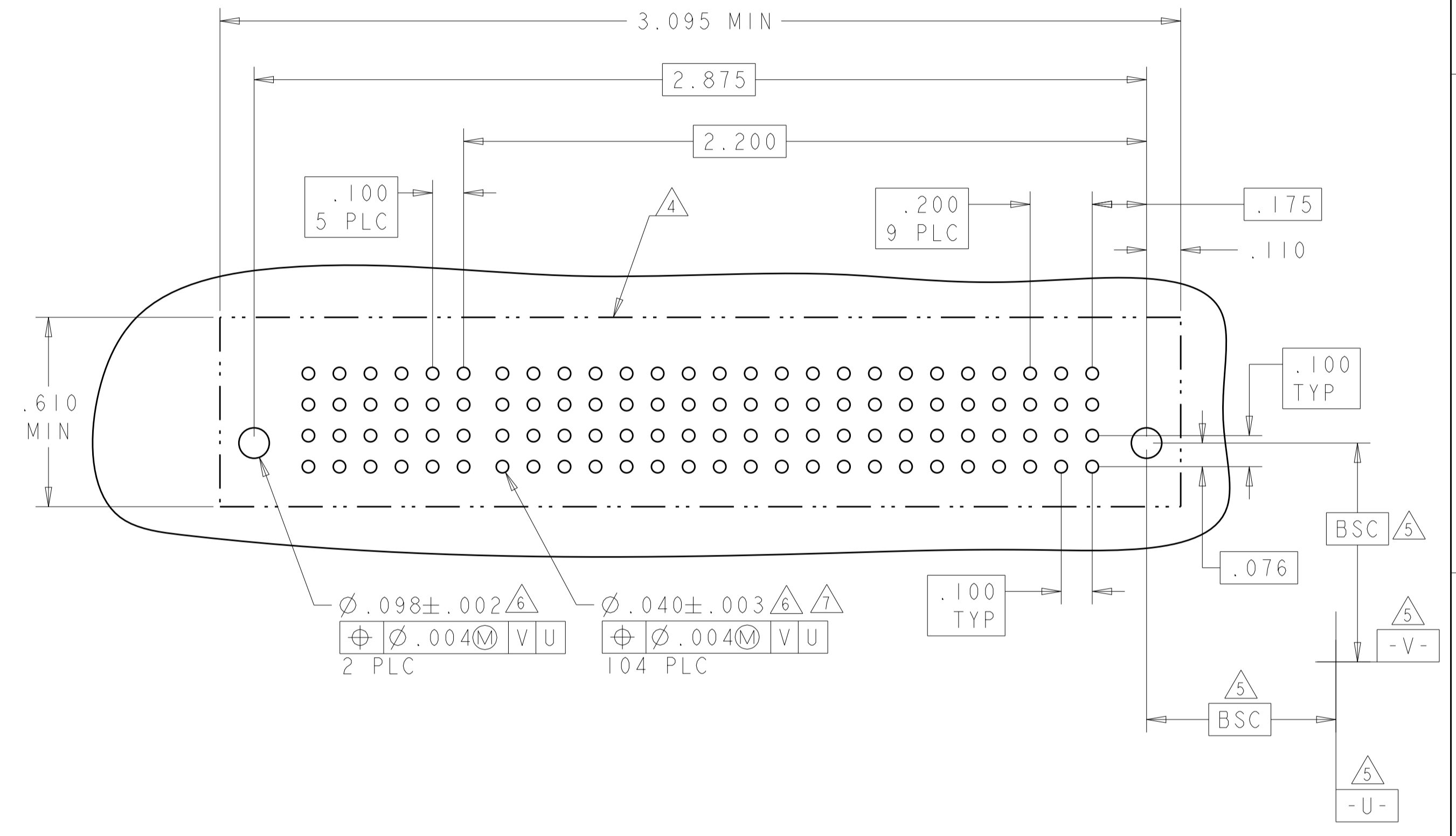
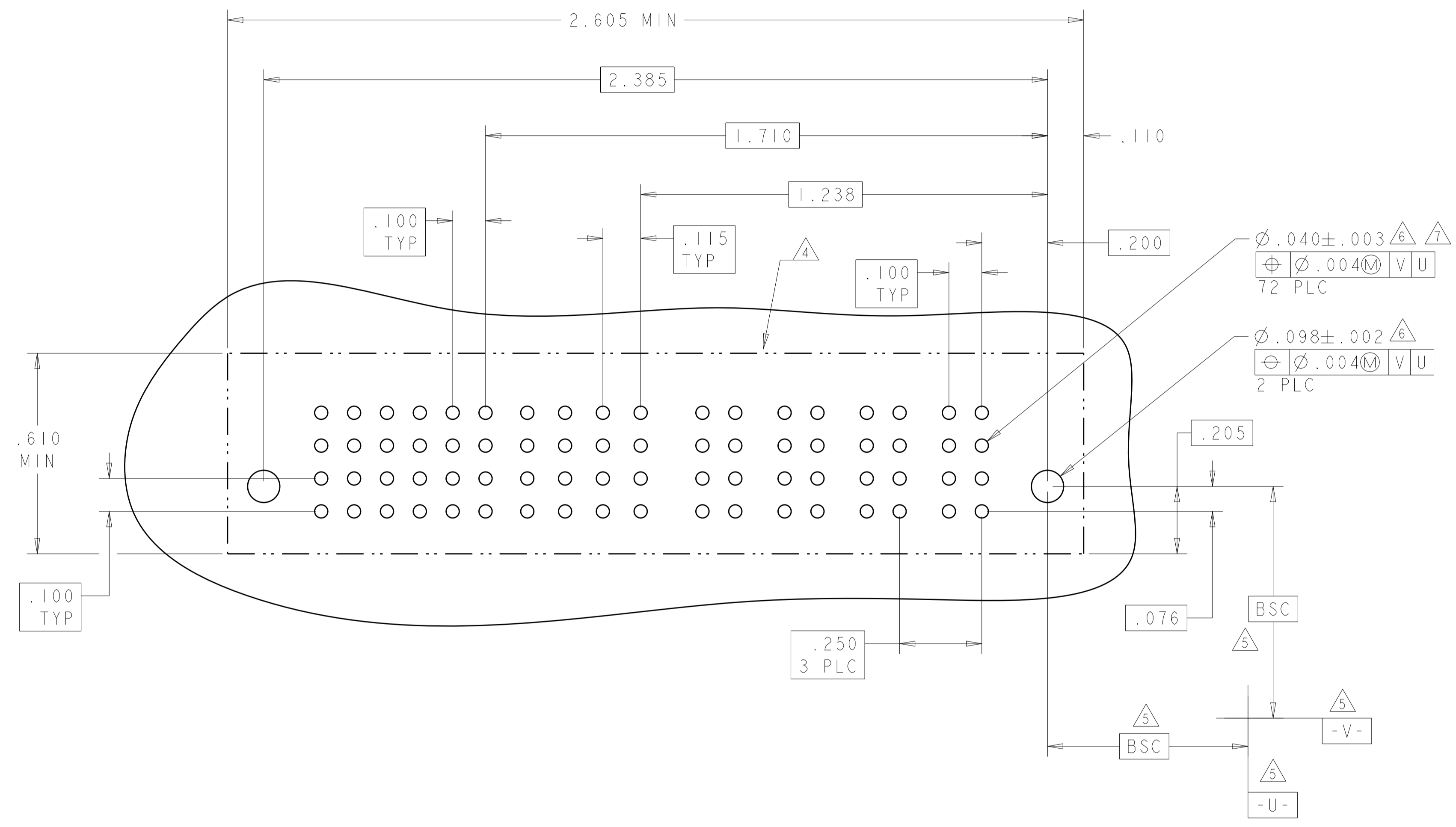
DIMENSIONS:	TOLERANCES UNLESS OTHERWISE SPECIFIED:	DMN	H.LIU	28MAY2008
INCHES	0 PLC ±	CHK	S.ZHAO	28MAY2008
	1 PLC ±.01	APVD	S.YAO	-
	2 PLC ±.01	NAME	VERTICAL RECEPTACLE ASSEMBLY, WITH GUIDES MULTI-BEAM XLE	
	3 PLC ±.005	PRODUCT SPEC	108-1973	
	4 PLC ±.0020	APPLICATION SPEC	114-13038	
	ANGLES ±.2°	SIZE	CAGE CODE	DRAWING NO
MATERIAL	FINISH	WEIGHT	A100779	C=6450852
		CUSTOMER DRAWING	SCALE	4:1 SHEET 4 OF 10 REV C4

STE TE Connectivity

LOC	DIST	REVISIONS			
P	LTN	DESCRIPTION	DATE	DMN	APVD
-	-	SEE SHEET 1	-	-	-

PART NUMBER	ROWS	SIGNAL						POWER							
		6	5	4	3	2	1	P8	P7	P6	P5	P4	P3	P2	P1
6450852-2	D	E	E	E	E	E	E	LM	LM	LM	LM	VM	VM	VM	VM
	C	E	E	E	E	E	E	LM	LM	LM	LM	VM	VM	VM	VM
	B	E	E	E	E	E	E	LM	LM	LM	LM	VM	VM	VM	VM
	A	E	E	E	E	E	E	LM	LM	LM	LM	VM	VM	VM	VM
		HD												HD	
		4P + 4LP + 24S													

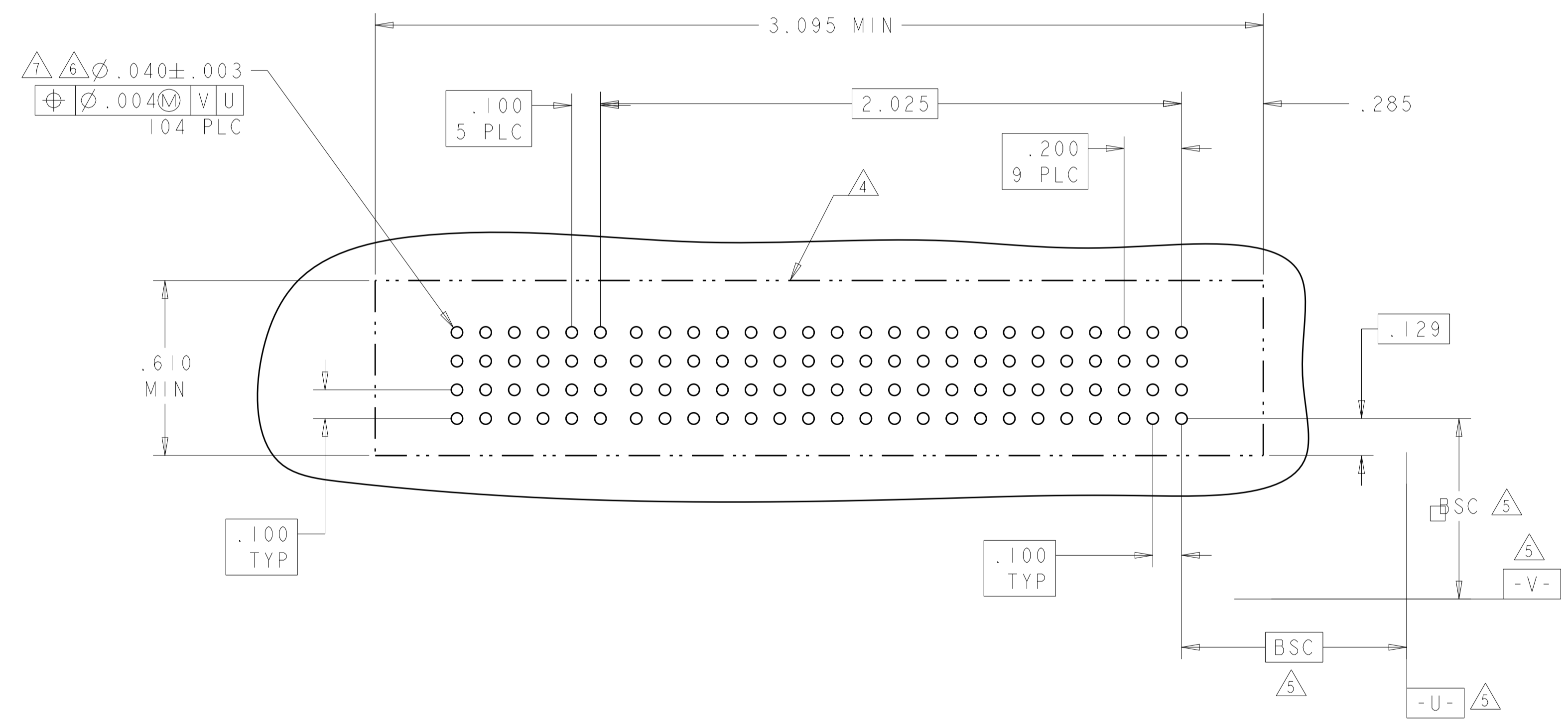
PART NUMBER	ROWS	SIGNAL						POWER									
		6	5	4	3	2	1	P10	P9	P8	P7	P6	P5	P4	P3	P2	P1
6450852-3	D	E	E	E	E	E	E	VM	VM	VM	VM	VM	VM	VM	VM	VM	
	C	E	E	E	E	E	E	VM	VM	VM	VM	VM	VM	VM	VM	VM	
	B	E	E	E	E	E	E	VM	VM	VM	VM	VM	VM	VM	VM	VM	
	A	E	E	E	E	E	E	VM	VM	VM	VM	VM	VM	VM	VM	VM	
		HD														HD	
		10HDP + 24S															



THIS DRAWING IS A CONTROLLED DOCUMENT.		DMN: H.LIU 28MAY2008	 TE Connectivity
DIMENSIONS: INCHES		CHK: S.ZHAO 28MAY2008	
TOLERANCES UNLESS OTHERWISE SPECIFIED:		APVD: S.YAO	NAME: VERTICAL RECEPTACLE ASSEMBLY, WITH GUIDES MULTI-BEAM XLE
0 PLC ±	1 PLC ±.01	PRODUCT SPEC: 108-1973	SIZE: A100779
2 PLC ±.01	3 PLC ±.005	APPLICATION SPEC: 114-13038	CAGE CODE: C=6450852
4 PLC ±.0020	ANGLES ±.2°	WEIGHT: -	RESTRICTED TO: -
MATERIAL: -	FINISH: -	CUSTOMER DRAWING	SCALE: 4:1 SHEET 5 OF 10 REV: C4

LOC	DIST	REVISIONS			
P	LTN	DESCRIPTION	DATE	DWN	APVD
-	-	SEE SHEET 1	-	-	-

PART NUMBER	ROWS	SIGNAL						POWER									
		6	5	4	3	2	1	P10	P9	P8	P7	P6	P5	P4	P3	P2	P1
6450852-4	D	E	E	E	E	E	E	VM	VM	VM	VM	VM	VM	VM	VM	VM	
	C	E	E	E	E	E	E	VM	VM	VM	VM	VM	VM	VM	VM	VM	
	B	E	E	E	E	E	E	VM	VM	VM	VM	VM	VM	VM	VM	VM	
	A	E	E	E	E	E	E	VM	VM	VM	VM	VM	VM	VM	VM	VM	
10HDP + 24S																	



THIS DRAWING IS A CONTROLLED DOCUMENT.		DWN: H. LIU 28MAY2008	
DIMENSIONS: INCHES		CHK: S. ZHAO 28MAY2008	
TOLERANCES UNLESS OTHERWISE SPECIFIED:		APVD: S. YAO	NAME: VERTICAL RECEPTACLE ASSEMBLY, WITH GUIDES MULTI-BEAM XLE
0 PLC ±.01		PRODUCT SPEC: 108-1973	SIZE: A100779
1 PLC ±.01		APPLICATION SPEC: 114-13038	CAGE CODE: C=6450852
2 PLC ±.01		RESTRICTED TO:	SCALE: 4:1
3 PLC ±.005		SCALE: 4:1	SHEET: 6 OF 10
4 PLC ±.0020		SCALE: 4:1	REV: C4
ANGLES: ±.2°		CUSTOMER DRAWING	REV: C4
FINISH: -		CUSTOMER DRAWING	REV: C4

LOC	DIST	REVISIONS					
		P	LTN	DESCRIPTION	DATE	DMN	APVD
		-		SEE SHEET 1			

PART NUMBER	ROWS	POWER															
		4	3	2	1	P12	P11	P10	P9	P8	P7	P6	P5	P4	P3	P2	P1
6450852-5	D	E	E	E	E												
	C	E	E	E	E	VM	VM	VM	VM	VM	VM	VM	VM	VM	VA	VM	VM
	B	E	E	E	E												
	A	E	E	E	E												

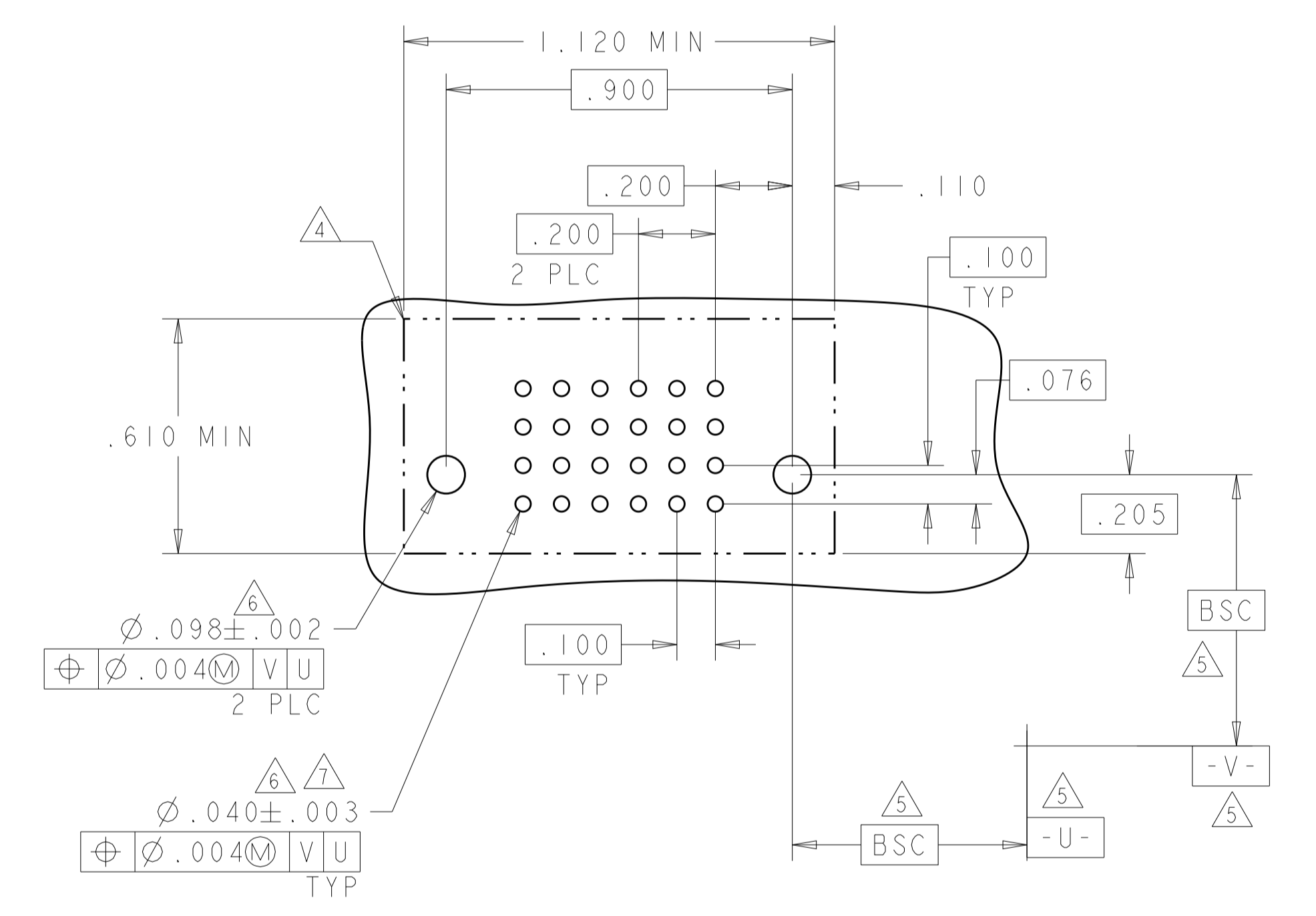
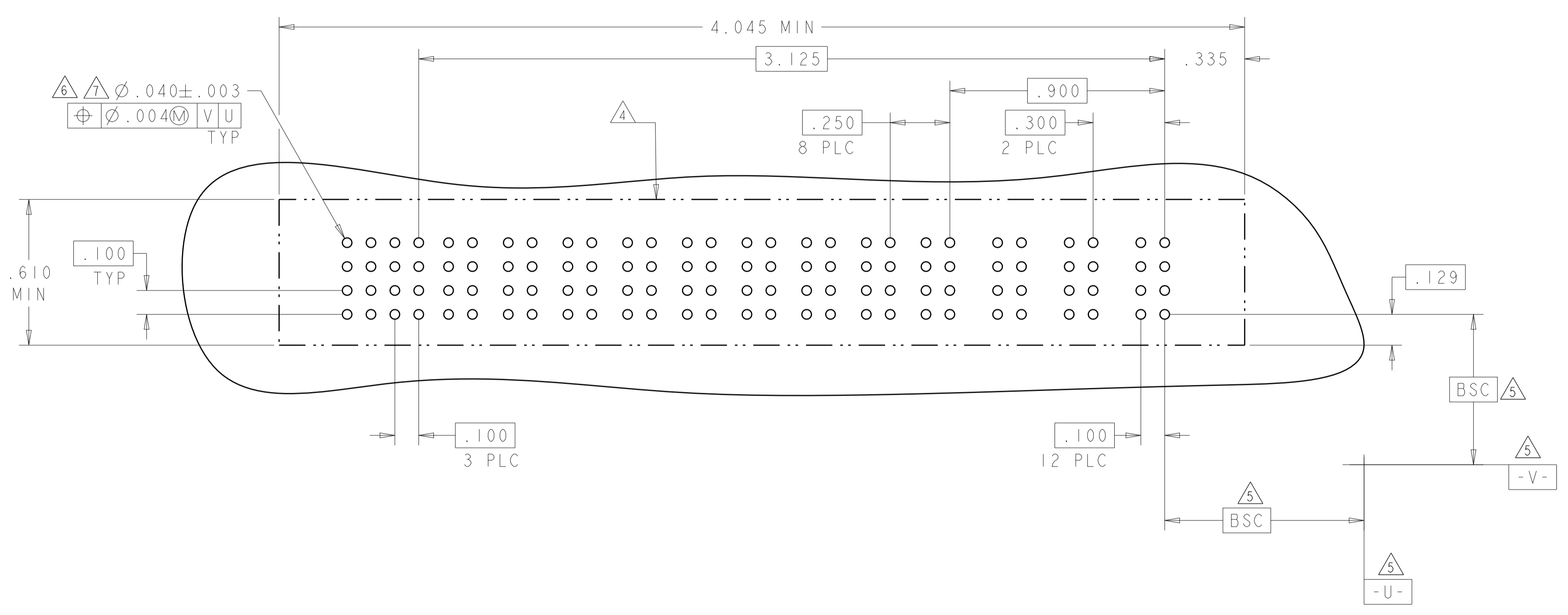
3ACP + 9P + 16S

PART NUMBER	ROWS	POWER		
		P3	P2	P1
6450852-6	D			
	C	VM	VM	VM
	B			
	A	HD		HD

3HDP

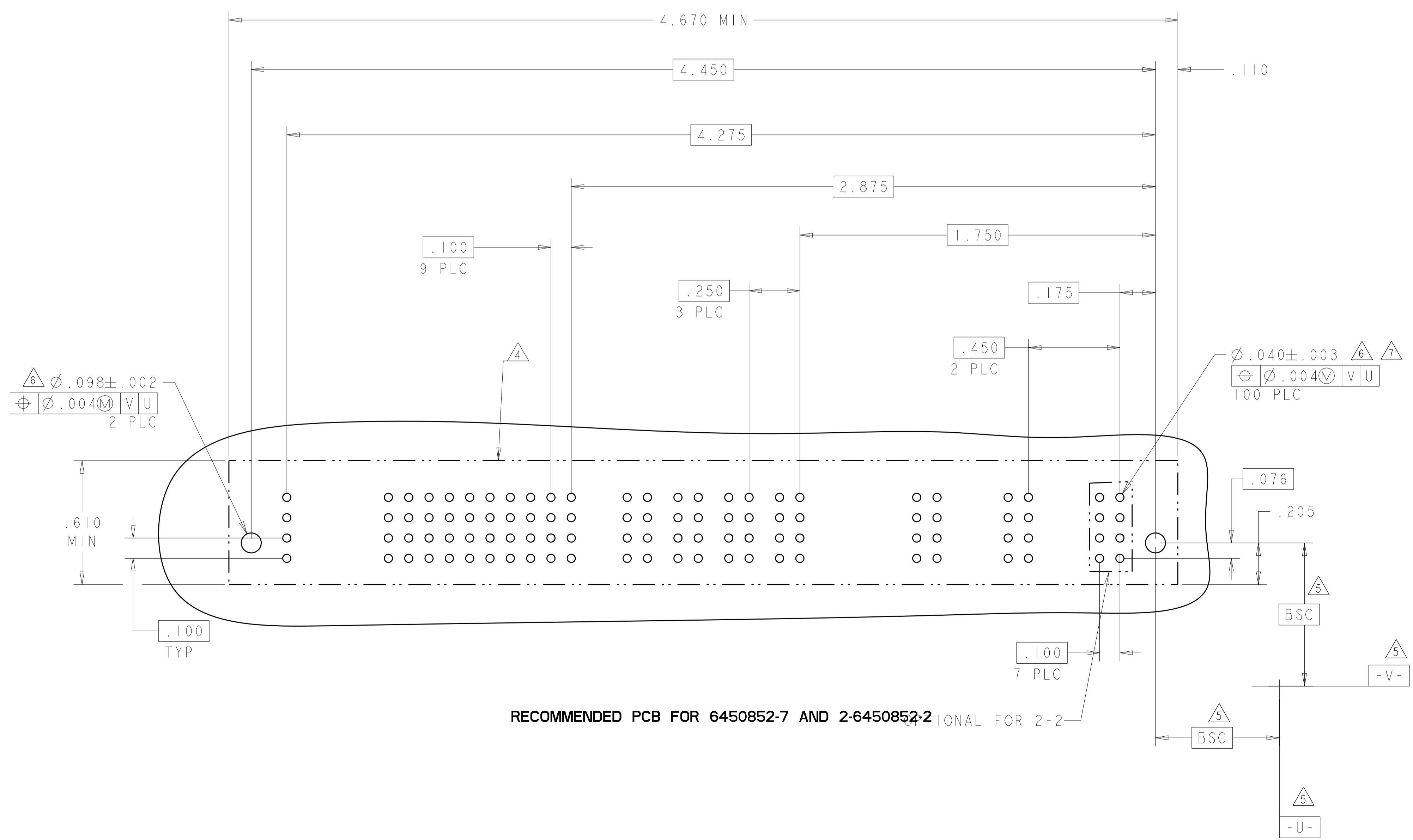
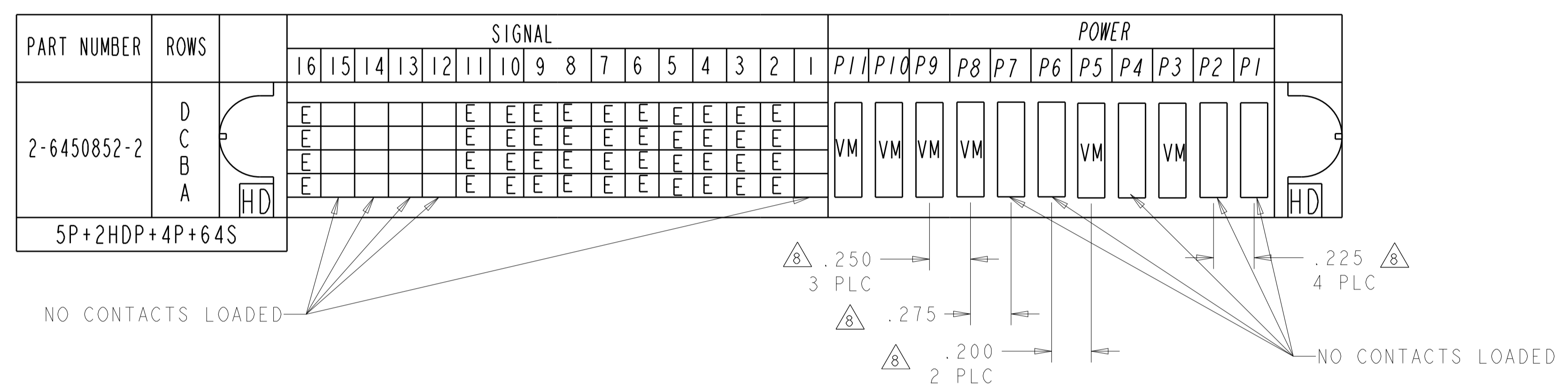
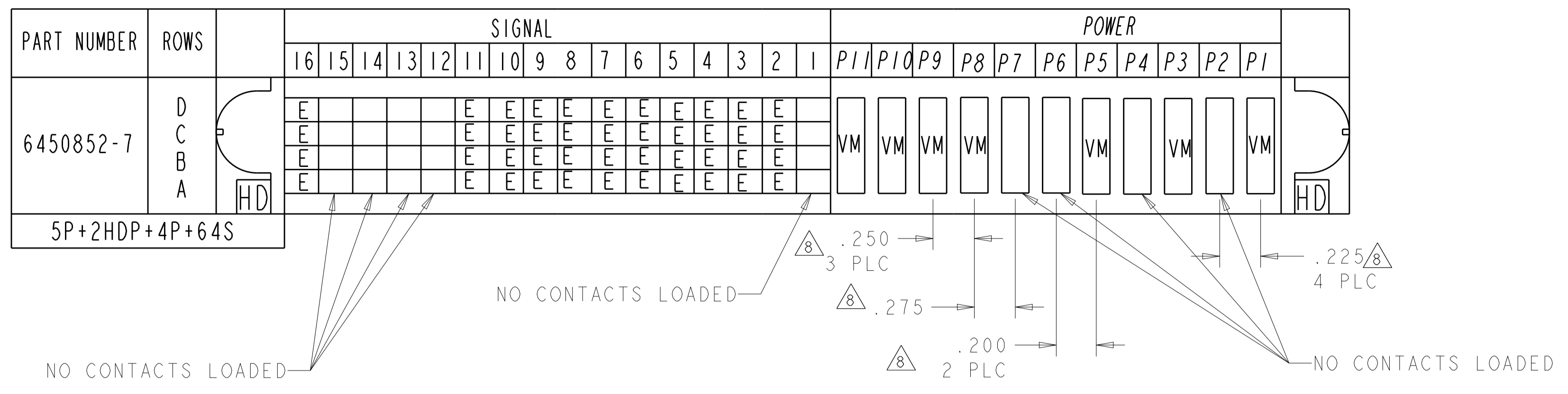
.250
8 PLC

.300
3 PLC



THIS DRAWING IS A CONTROLLED DOCUMENT.		DMN H.LIU CHK S.ZHAO	28MAY2008 28MAY2008	TE Connectivity
DIMENSIONS: INCHES	TOLERANCES UNLESS OTHERWISE SPECIFIED:	APVD S.YAO	NAME VERTICAL RECEPTACLE ASSEMBLY, WITH GUIDES MULTI-BEAM XLE	
	0 PLC ±	PRODUCT SPEC	SIZE 108-1973	RESTRICTED TO
	1 PLC ±.01	APPLICATION SPEC	SCALE 114-13038	
MATERIAL	FINISH	WEIGHT	SCALE 4:1	SHEET 7 OF 10
			REV C4	

LOC	DIST	REVISIONS			
P	LTN	DESCRIPTION	DATE	DMN	APVD
-	-	SEE SHEET 1	-	-	-



RECOMMENDED PCB FOR 6450852-7 AND 2-6450852-2

THIS DRAWING IS A CONTROLLED DOCUMENT.		DMN: H.LIU 28MAY2008		TE Connectivity
DIMENSIONS: INCHES		CHK: S.ZHAO 28MAY2008		NAME: VERTICAL RECEPTACLE ASSEMBLY, WITH GUIDES, MULTI-BEAM XLE
TOLERANCES UNLESS OTHERWISE SPECIFIED:		APVD: S.YAO	PRODUCT SPEC: 108-1973	
0 PLC ±		APPLICATION SPEC: 114-13038		
1 PLC ±.01		SIZE: A100779C=6450852		
2 PLC ±.01		RESTRICTED TO: -		
3 PLC ±.005		SCALE: 4:1 SHEET 8 OF 10 REV: C4		
4 PLC ±.0020		CUSTOMER DRAWING		
ANGLES: ±2°		WEIGHT: -		
FINISH: -		MATERIAL: -		

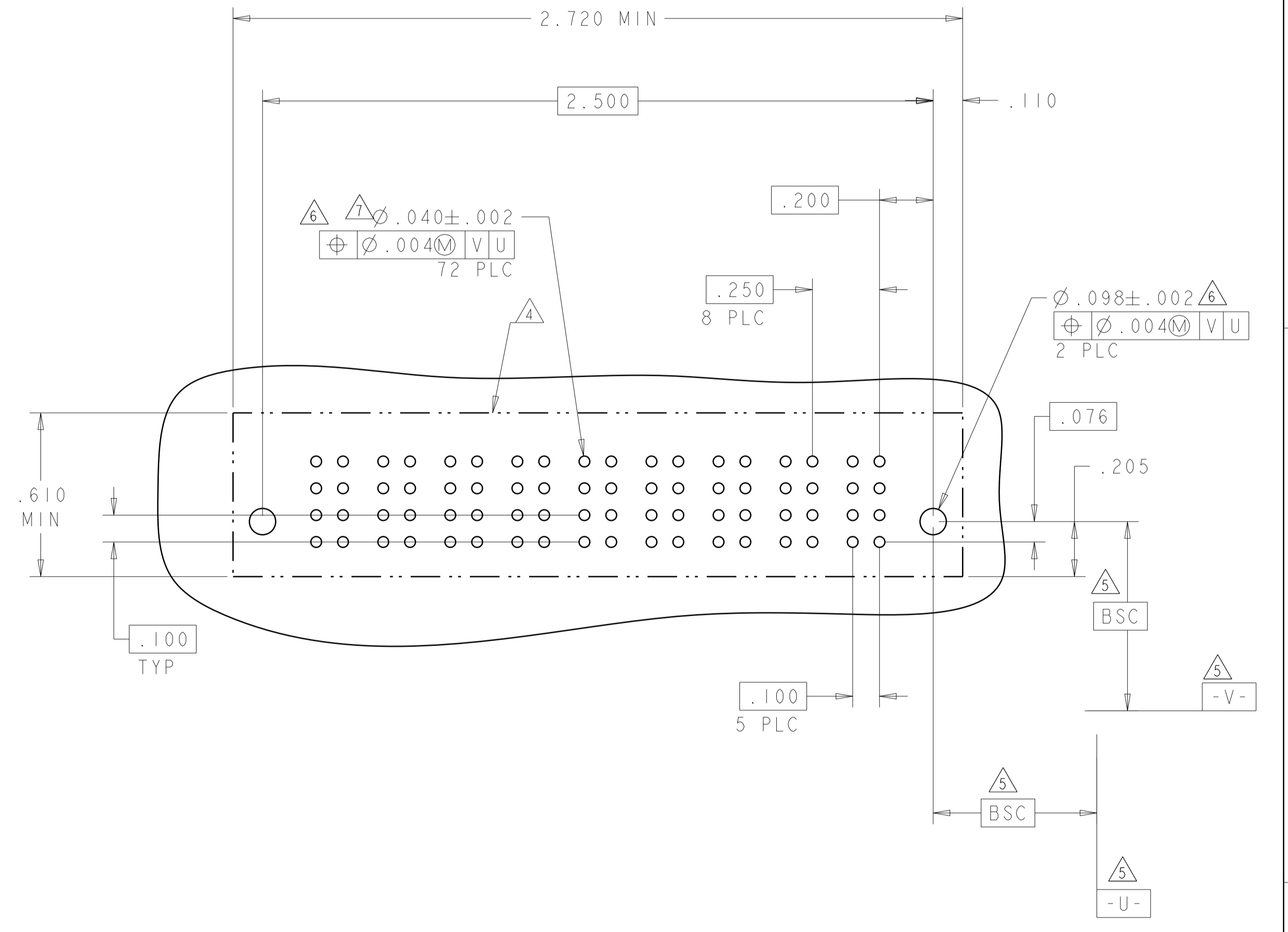
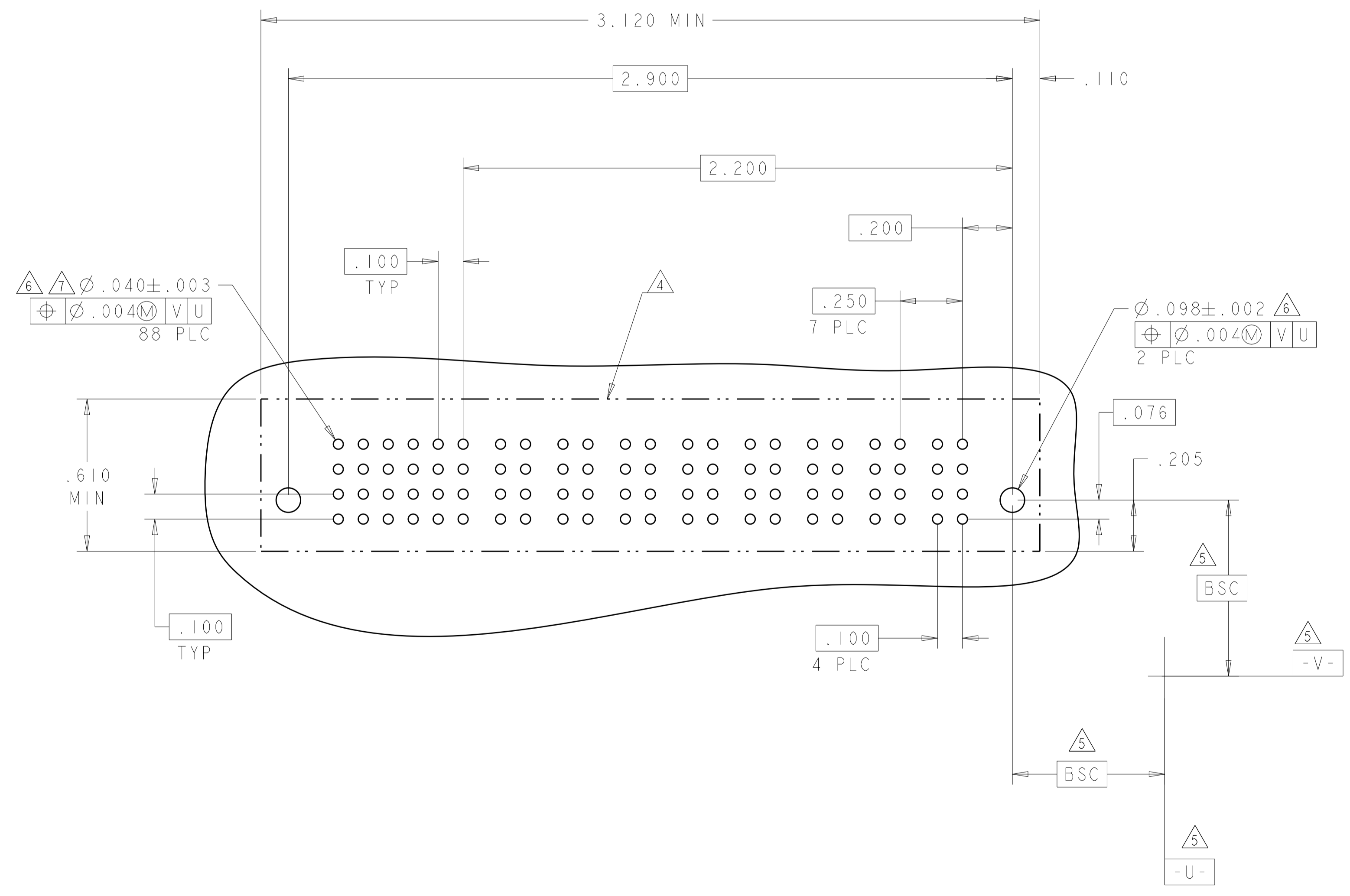
LOC	DIST	REVISIONS			
P	LTN	DESCRIPTION	DATE	DMN	APVD
-	-	SEE SHEET 1	-	-	-

PART NUMBER	ROWS	SIGNAL						POWER							
		6	5	4	3	2	1	P8	P7	P6	P5	P4	P3	P2	P1
6450852-8	D	E	E	E	E	E	E								
	C	E	E	E	E	E	E	VM	VM	VM	VM	VM	VM	VM	VA
	B	E	E	E	E	E	E								
	A	HD	E	E	E	E	E								HD

8P + 24S

PART NUMBER	ROWS	POWER								
		P9	P8	P7	P6	P5	P4	P3	P2	P1
6450852-9	D									
	C	VA	VM	VM	VM	VM	VM	VM	VM	
	B									
	A	HD								

9P

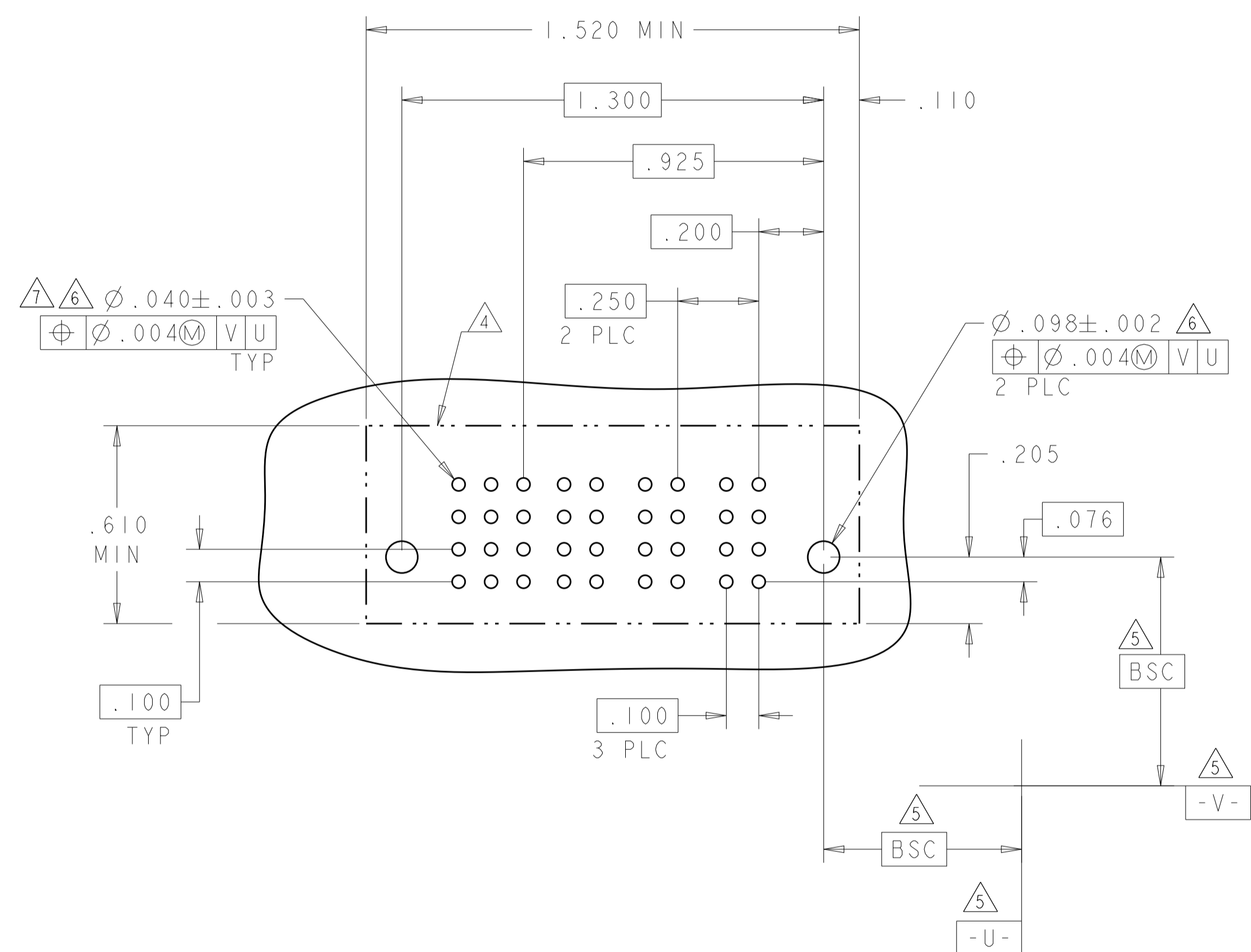


THIS DRAWING IS A CONTROLLED DOCUMENT.		DMN: H.LIU 28MAY2008	 TE Connectivity
DIMENSIONS: INCHES		CHK: S.ZHAO 28MAY2008	
TOLERANCES UNLESS OTHERWISE SPECIFIED:		APVD: S.YAO	NAME: VERTICAL RECEPTACLE ASSEMBLY, WITH GUIDES MULTI-BEAM XLE
0 PLC ±. 1 PLC ±.01 2 PLC ±.01 3 PLC ±.005 4 PLC ±.002 ANGLES ±.020 FINISH: #2		PRODUCT SPEC: 108-1973	SIZE: CAGE CODE DRAWING NO: A100779 C=6450852
MATERIAL: -		APPLICATION SPEC: 114-13038	RESTRICTED TO: -
WEIGHT: -		CUSTOMER DRAWING	SCALE: 4:1 SHEET 9 OF 10 REV: C4

LOC	DIST	REVISIONS			
P	LTN	DESCRIPTION	DATE	DMN	APVD
-	-	SEE SHEET 1	-	-	-

PART NUMBER	ROWS	SIGNAL			POWER		
		3	2	1	P3	P2	P1
1-6450852-2	D	E	E	E	VM	VM	VM
	C	E	E	E			
	B	E	E	E			
	A	E	E	E			

3P + 12S



THIS DRAWING IS A CONTROLLED DOCUMENT.		DMN H. LIU CHK S. ZHAO	28MAY2008 28MAY2008	TE Connectivity
DIMENSIONS: INCHES	TOLERANCES UNLESS OTHERWISE SPECIFIED:	APVD S. YAO	NAME S. YAO	
	0 PLC ±	PRODUCT SPEC	VERTICAL RECEPTACLE ASSEMBLY, WITH GUIDES	
	1 PLC ±.01	108-1973	MULTI-BEAM XLE	
MATERIAL	2 PLC ±.01	APPLICATION SPEC	SIZE CAGE CODE DRAWING NO	
	3 PLC ±.005	114-13038	A100779C=6450852	
	4 PLC ±.0020	WEIGHT	RESTRICTED TO	
	ANGLES ±.2°	CUSTOMER DRAWING	SCALE 4:1 SHEET 10 OF 10 REV C4	

单击下面可查看定价，库存，交付和生命周期等信息

[>>TE Connectivity\(泰科\)](#)