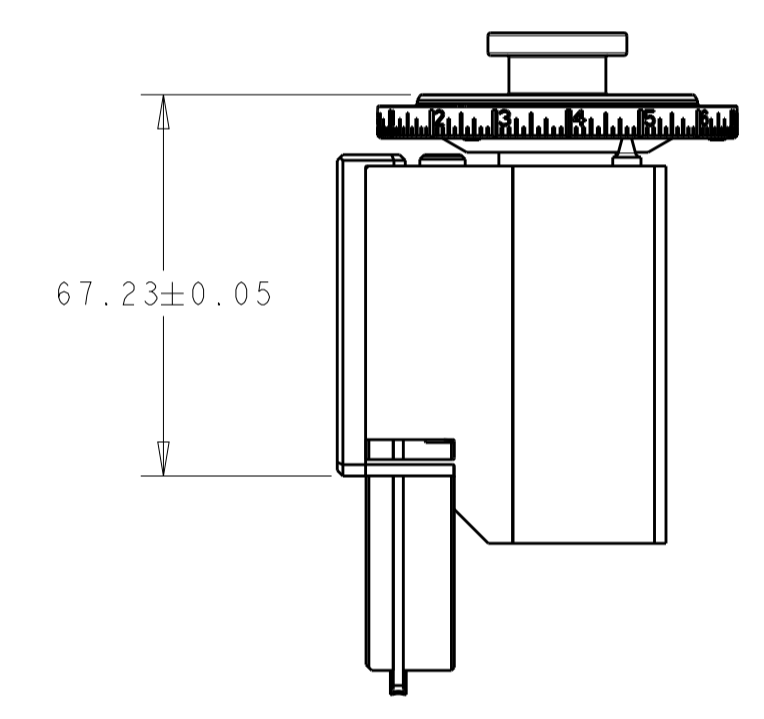
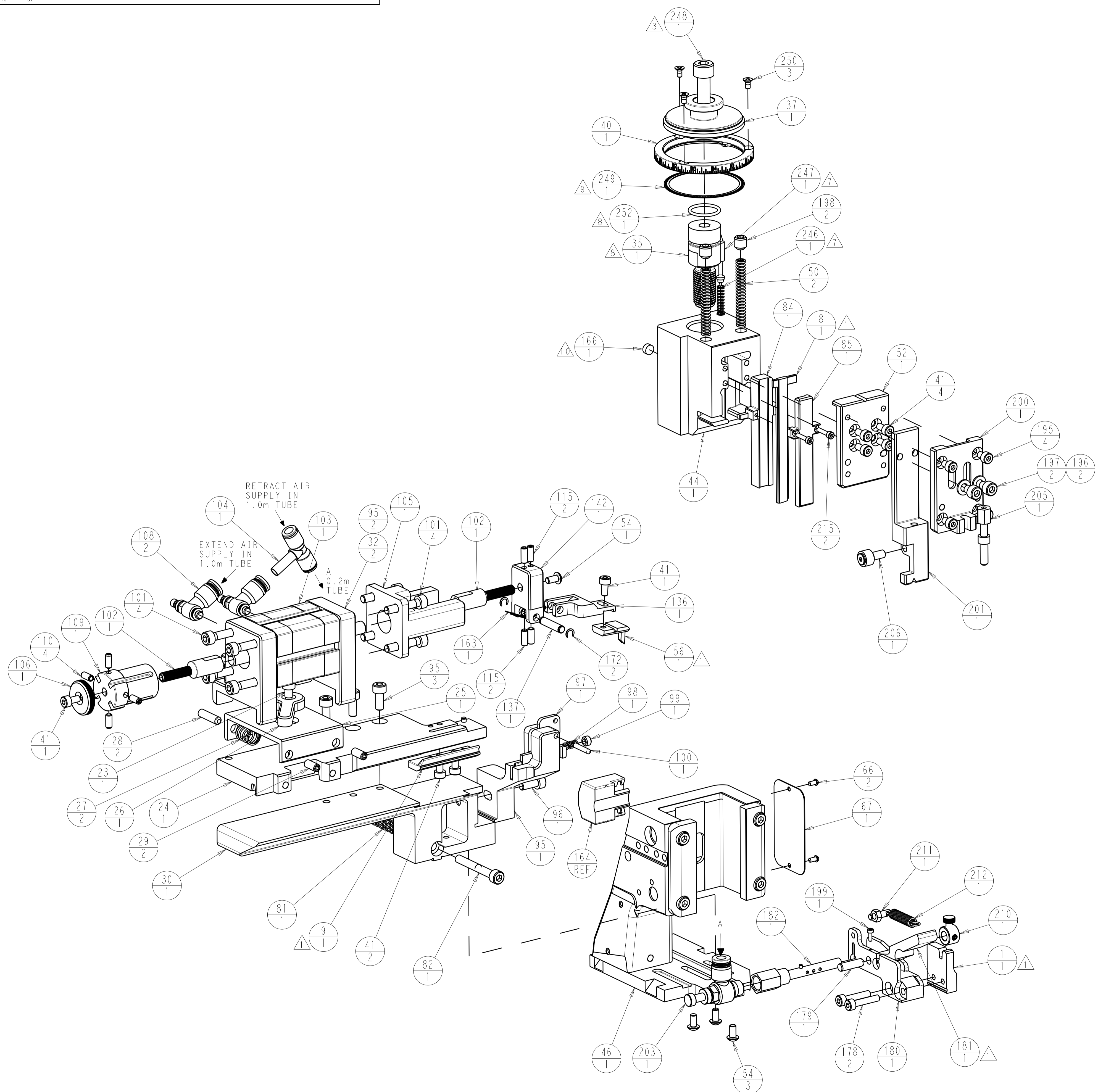


REVISIONS				
P.	LTN	DESCRIPTION	DATE	OWN APVD
		SEE SHEET 1		



RAM FINE ADJUST SETUP

THIS DRAWING IS A CONTROLLED DOCUMENT.		OWN: B. WEAVER 25 JUL 2018	TE Connectivity												
DIMENSIONS: mm		CHK: T. BACKENSTOES 25 JUL 2018													
TOLERANCES UNLESS OTHERWISE SPECIFIED:		APVD: T. BACKENSTOES 25 JUL 2018	NAME: INVERTED PIG-TAIL SPLICE APPLICATOR												
<table border="1"> <tr><td>0 PLC</td><td>±</td></tr> <tr><td>1 PLC</td><td>±</td></tr> <tr><td>2 PLC</td><td>±</td></tr> <tr><td>3 PLC</td><td>±</td></tr> <tr><td>4 PLC</td><td>±</td></tr> <tr><td>ANGLES</td><td>±</td></tr> </table>		0 PLC	±	1 PLC	±	2 PLC	±	3 PLC	±	4 PLC	±	ANGLES	±	PRODUCT SPEC: -	RESTRICTED TO: -
0 PLC	±														
1 PLC	±														
2 PLC	±														
3 PLC	±														
4 PLC	±														
ANGLES	±														
MATERIAL: -		APPLICATION SPEC: -	SIZE: A100779												
FINISH: -		WEIGHT: -	CAGE CODE: C-2305750												
CUSTOMER ACCESSIBLE PRODUCTION DRAWING		SCALE: 3:4	SHEET 2 OF 2 REV A												

单击下面可查看定价，库存，交付和生命周期等信息

[>>TE Connectivity\(泰科\)](#)