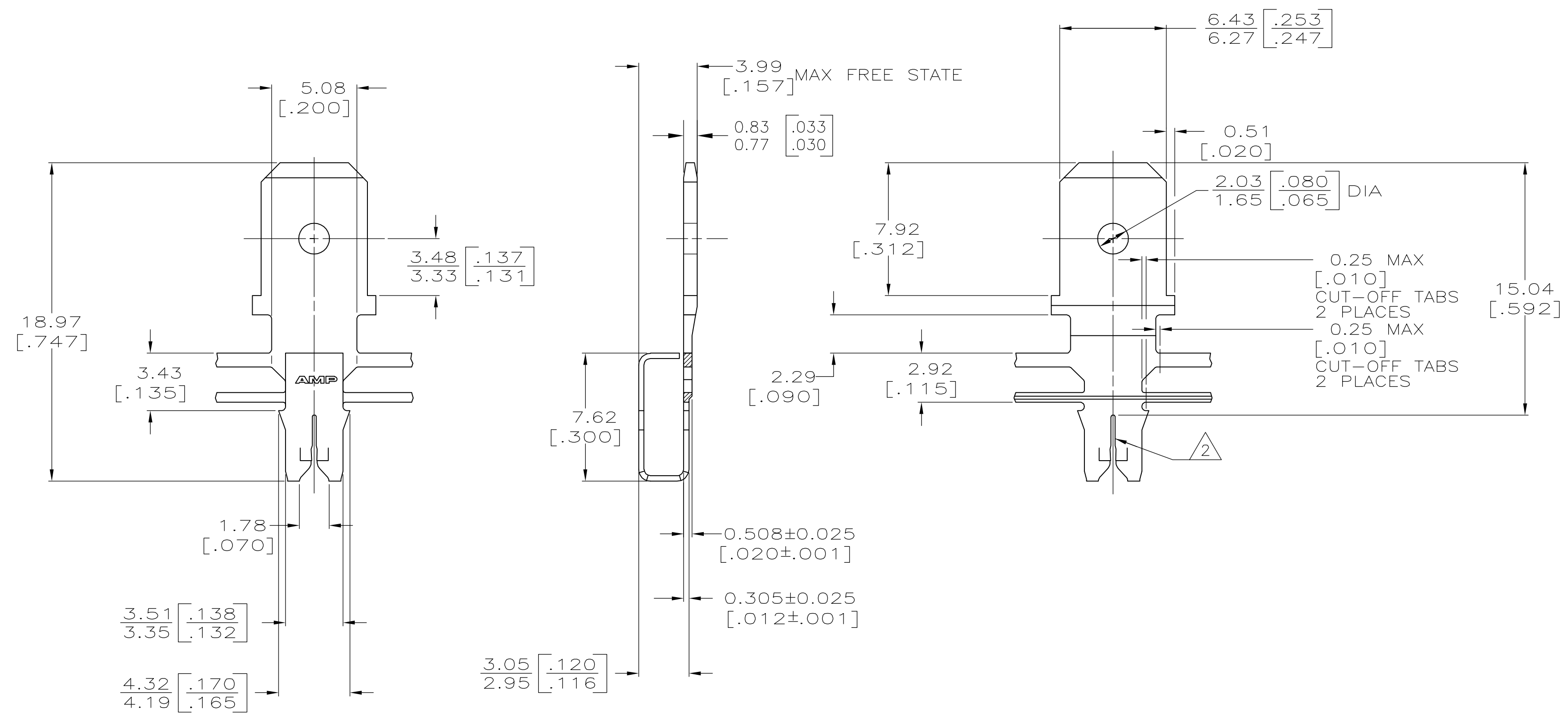


THIS DRAWING IS UNPUBLISHED. RELEASED FOR PUBLICATION  
 © COPYRIGHT BY TYCO ELECTRONICS CORPORATION. ALL RIGHTS RESERVED.

LOC	DIST	REVISIONS			
P	LTR	DESCRIPTION	DATE	DWN	APVD
AF	50	C	REVISED PER ECR-06-010412	08NOV06	HMR KR



- 1 CONTINUOUS STRIP ON REELS WITH TERMINALS LOCATED ON  $8.38 \pm 0.08$   $[\ .330 \pm .003 ]$  CENTERS.
- 2 SLOT TERMINATES EITHER SINGLE OR DOUBLE MAGNET WIRES OF THE SAME TYPE AND SIZE, COPPER RANGE IS 0.32-0.50mm  $[\ #28-\#24 ]$  AWG.
- 3 AFTER INSERTION INTO PLASTIC HOLDER TAB PORTION MUST BE BENT OVER  $45^\circ$  TO  $90^\circ$  OR POTTED-IN TO PREVENT PULL-OUT WHEN MATING RECEPTACLE IS DISCONNECTED.
- 4 CAVITY SPECIFICATION TO BE MODIFIED PER CUSTOMER REQUIREMENTS.



63607-1  
PART NO

THIS DRAWING IS A CONTROLLED DOCUMENT.		DWN MICHAEL S. FEHER 2/27/91	Tyco Electronics Corporation Harrisburg, PA 17105-3608	
DIMENSIONS: mm [INCHES]		CHK JEFF R. RUTH 3/1/91	APVD NELSON E. NEFF 3/1/91	
TOLERANCES UNLESS OTHERWISE SPECIFIED:		NAME TAB, 6.35 [.250] FASTON™ MAG-MATE™		
0 PLC ± -		PRODUCT SPEC 108-2012		
1 PLC ± -		APPLICATION SPEC 114-2046 4		
2 PLC ± 0.25 [.010]		SIZE A2		
3 PLC ± -		CAGE CODE 00779		
4 PLC ± -		DRAWING NO 63607		
ANGLES ± -		RESTRICTED TO -		
MATERIAL #2 HARD PER-MILLED BRASS	FINISH 0.002037 [.000080] MIN TIN PER MIL-T-10727	WEIGHT -	CUSTOMER DRAWING	
SCALE 5:1		SHEET 1 OF 1		REV C

单击下面可查看定价，库存，交付和生命周期等信息

[>>TE Connectivity\(泰科\)](#)