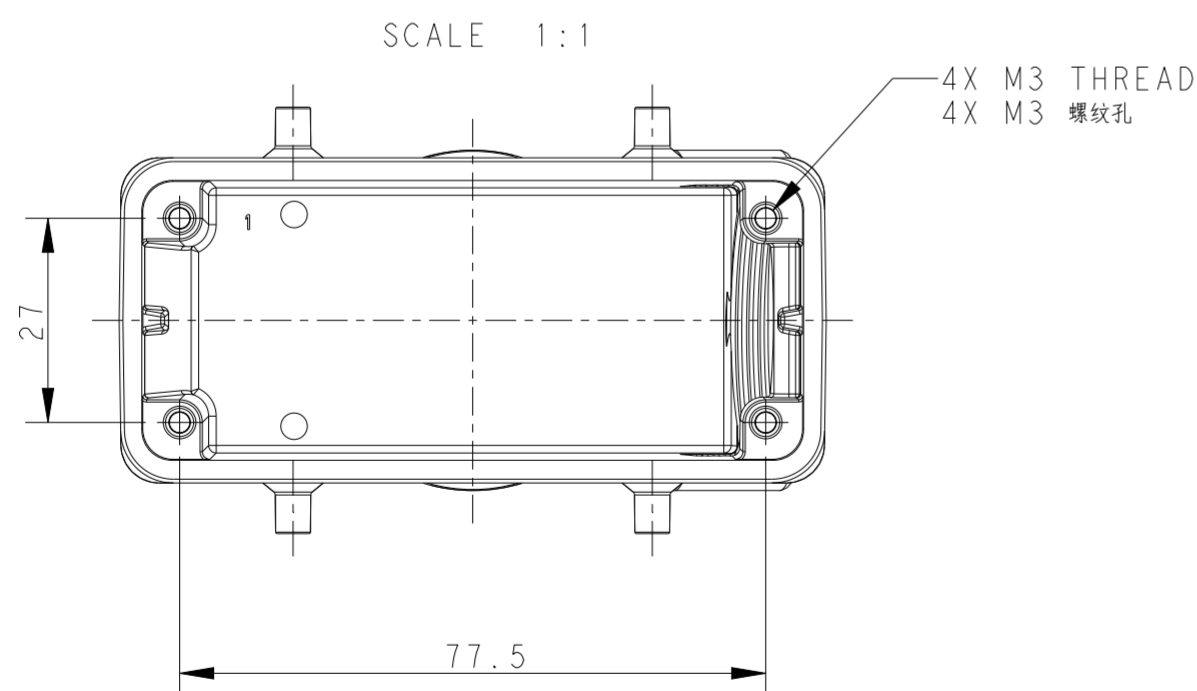
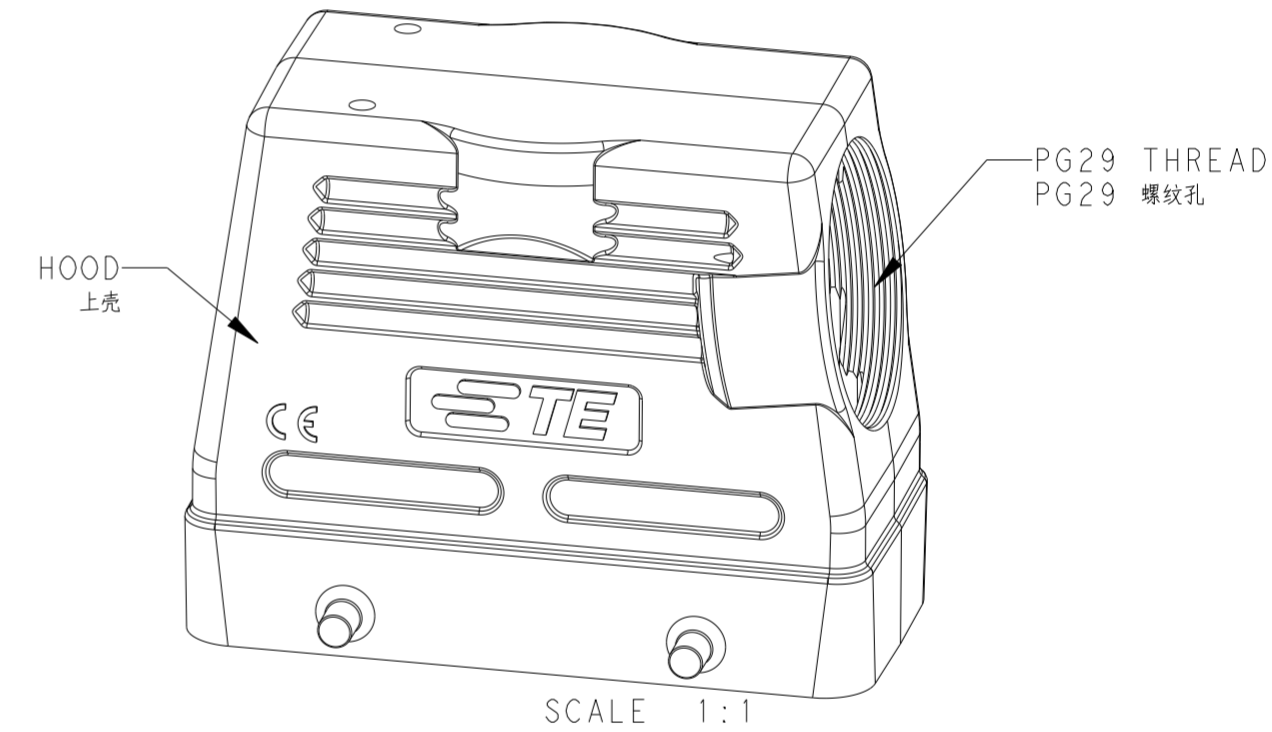
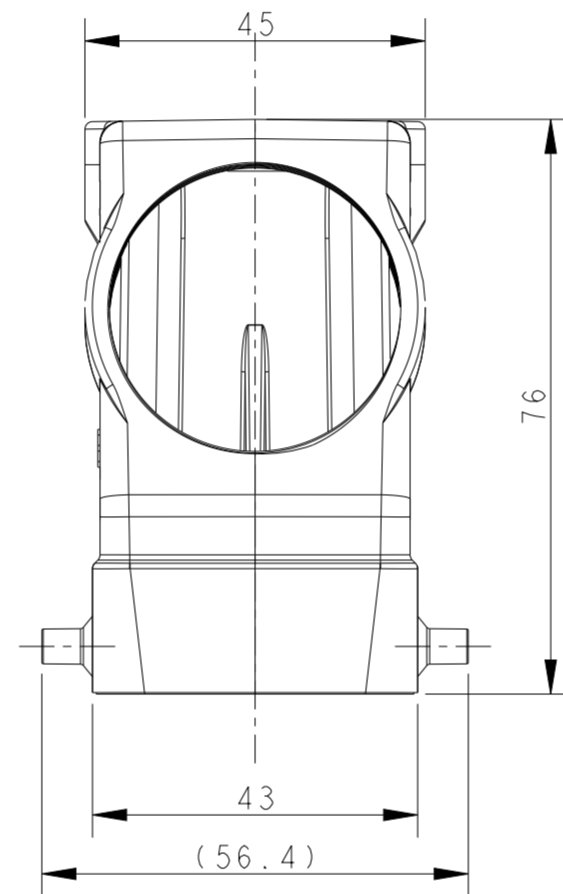
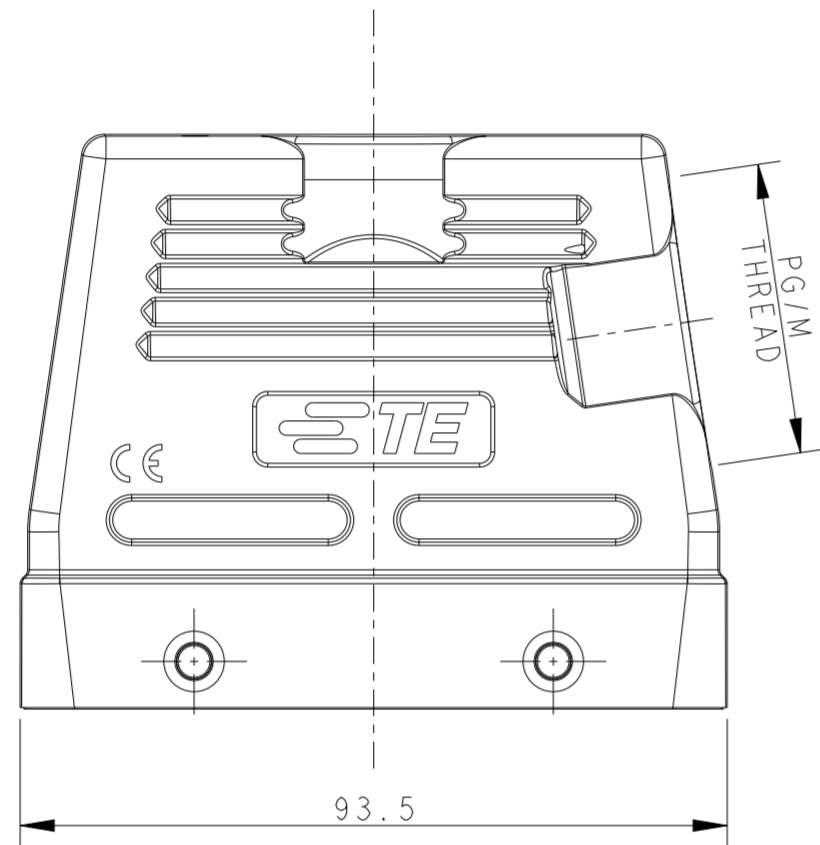
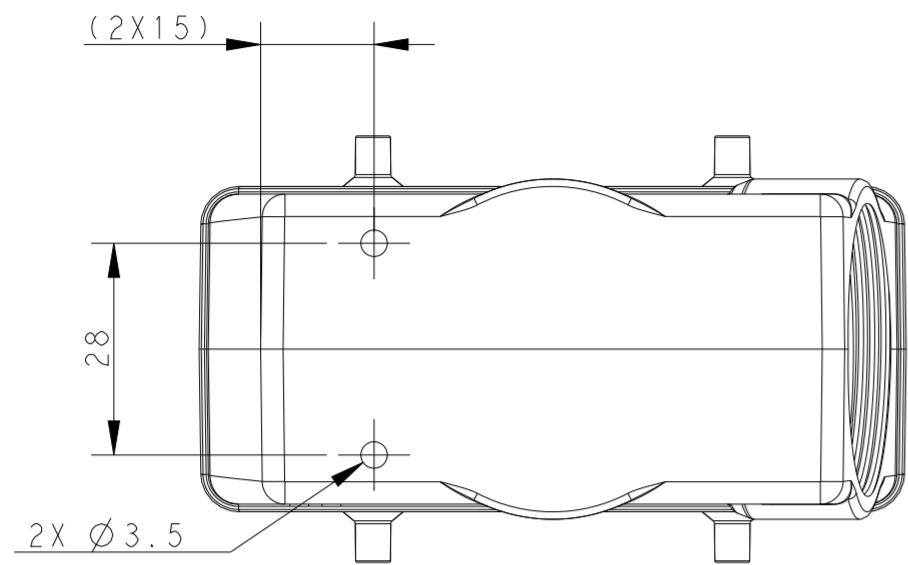


THIS DRAWING IS UNPUBLISHED. RELEASED FOR PUBLICATION 20
 © COPYRIGHT 20 BY - ALL RIGHTS RESERVED.

REVISIONS				
P	LTR	DESCRIPTION	DATE	APVD
A		INITIAL RELEASE	1JUN2018	RG CW
B		ECR-20-014388	04DEC2020	WOR CW
B1		ECR-21-105138	30JUN2021	WOR CW



NOTES:
 1. TECHNICAL CHARACTERISTICS:
 HOOD MATERIAL: DIE CAST ALUMINIUM ALLOY
 HOOD SURFACE: POWDER COATED, GREY, RAL7037
 DEGREE OF PROTECTION: IP65 (MATED)

注释:
 1. 技术参数:
 上壳材料: 铝合金
 上壳表面处理: 灰色粉末涂层, RAL7037
 防护等级: IP65(配合)

T1230160129-100	H16B-TSH-PG29	H16B HOOD, SIDE ENTRY PG29, 4 EAR, HIGH CONSTRUCTION, DRILLING 2 HOLES OF DIA. Ø3.5mm ON THE TOP, POWDER COATED, GREY H16B上壳, 侧出PG29, 4耳, 高结构, 顶部钻2个Ø3.5mm孔, 灰色粉末喷涂	PG29
PART NUMBER 零件料号	PART DESCRIPTION 零件描述		PG/M THREAD PG/M 螺纹孔

THIS DRAWING IS A CONTROLLED DOCUMENT.		DWN ROBERT GAN 1JUN2018	STE TE Connectivity	
DIMENSIONS: mm		CHK GINO YAO 1JUN2018		
TOLERANCES UNLESS OTHERWISE SPECIFIED:		APVD CHRIS WANG 1JUN2018	NAME H16B-TSH-PG29	
0 PLC ± 1 PLC ± 2 PLC ± 3 PLC ± 4 PLC ± ANGLES ±		PRODUCT SPEC 108-137013	RESTRICTED TO	
MATERIAL -		FINISH -	APPLIC. SPEC 114-137013	SIZE A2
			WEIGHT -	CAGE CODE 00779
			CUSTOMER DRAWING	DRAWING NO C-T12301601XX100
			SCALE 1:2	SHEET 1 OF 1
				REV B1

单击下面可查看定价，库存，交付和生命周期等信息

[>>TE Connectivity\(泰科\)](#)