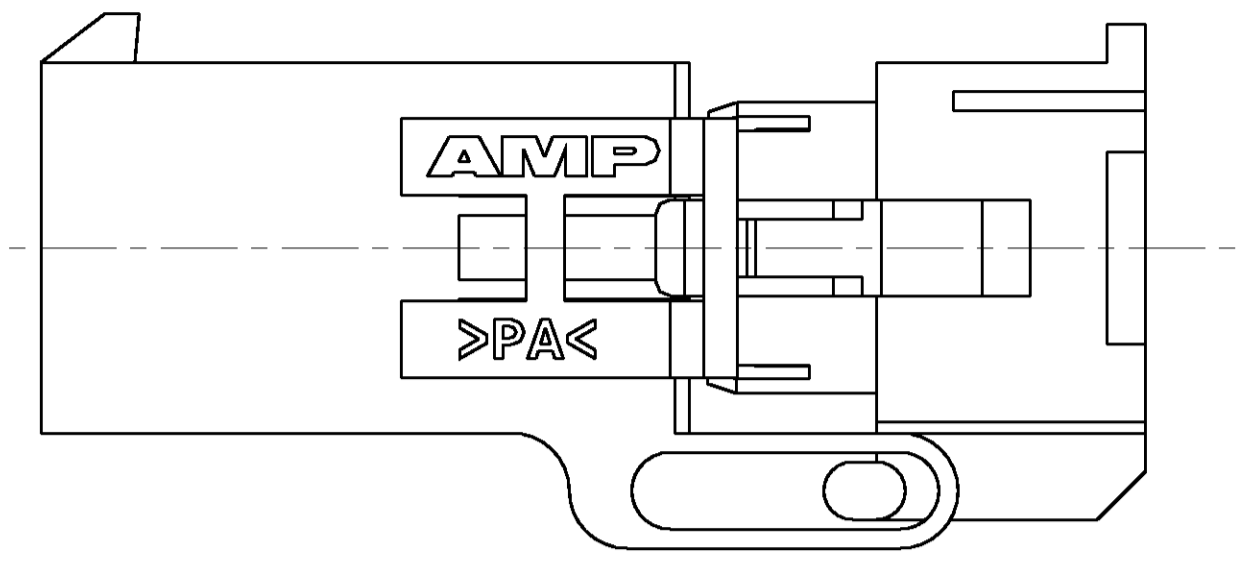
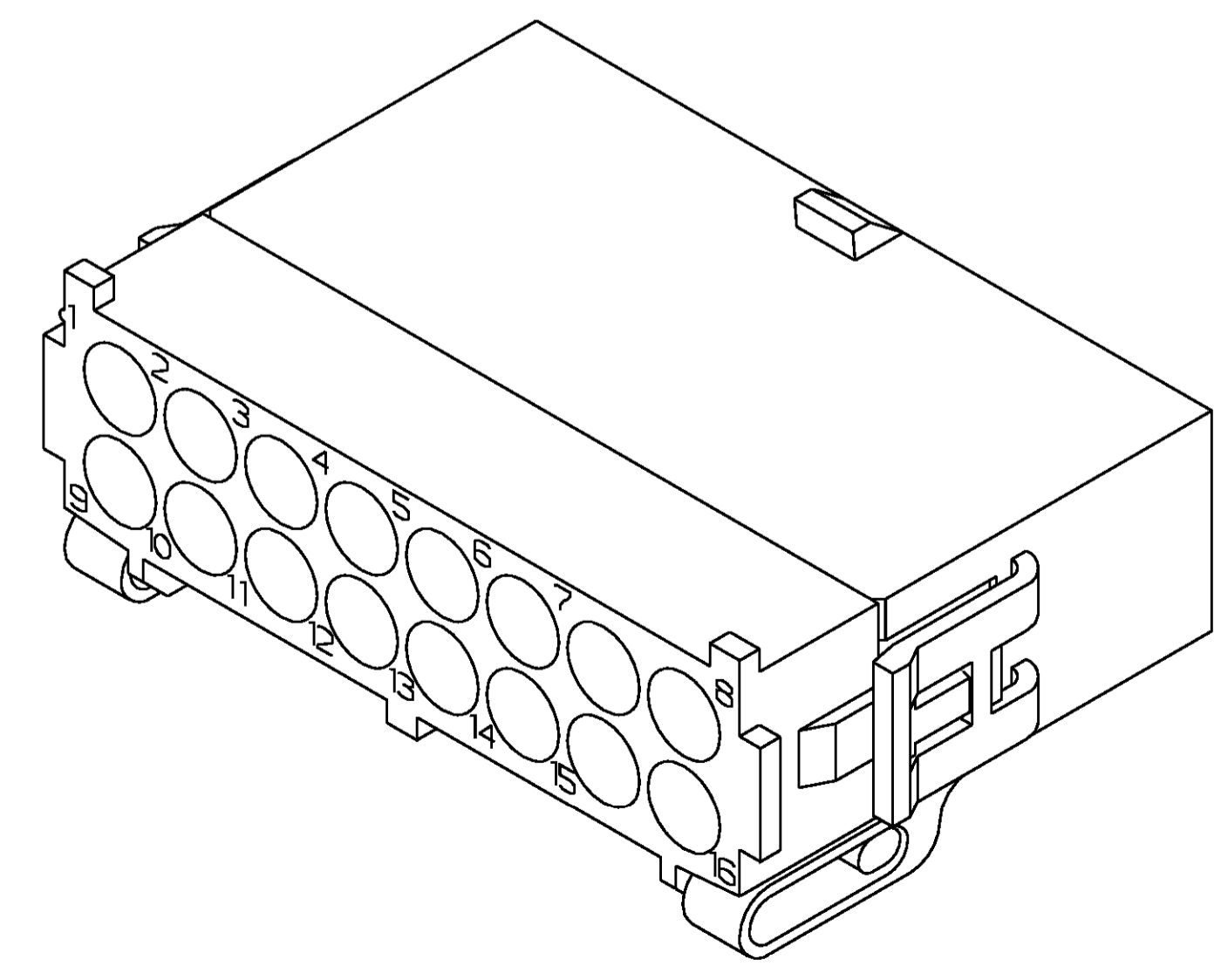
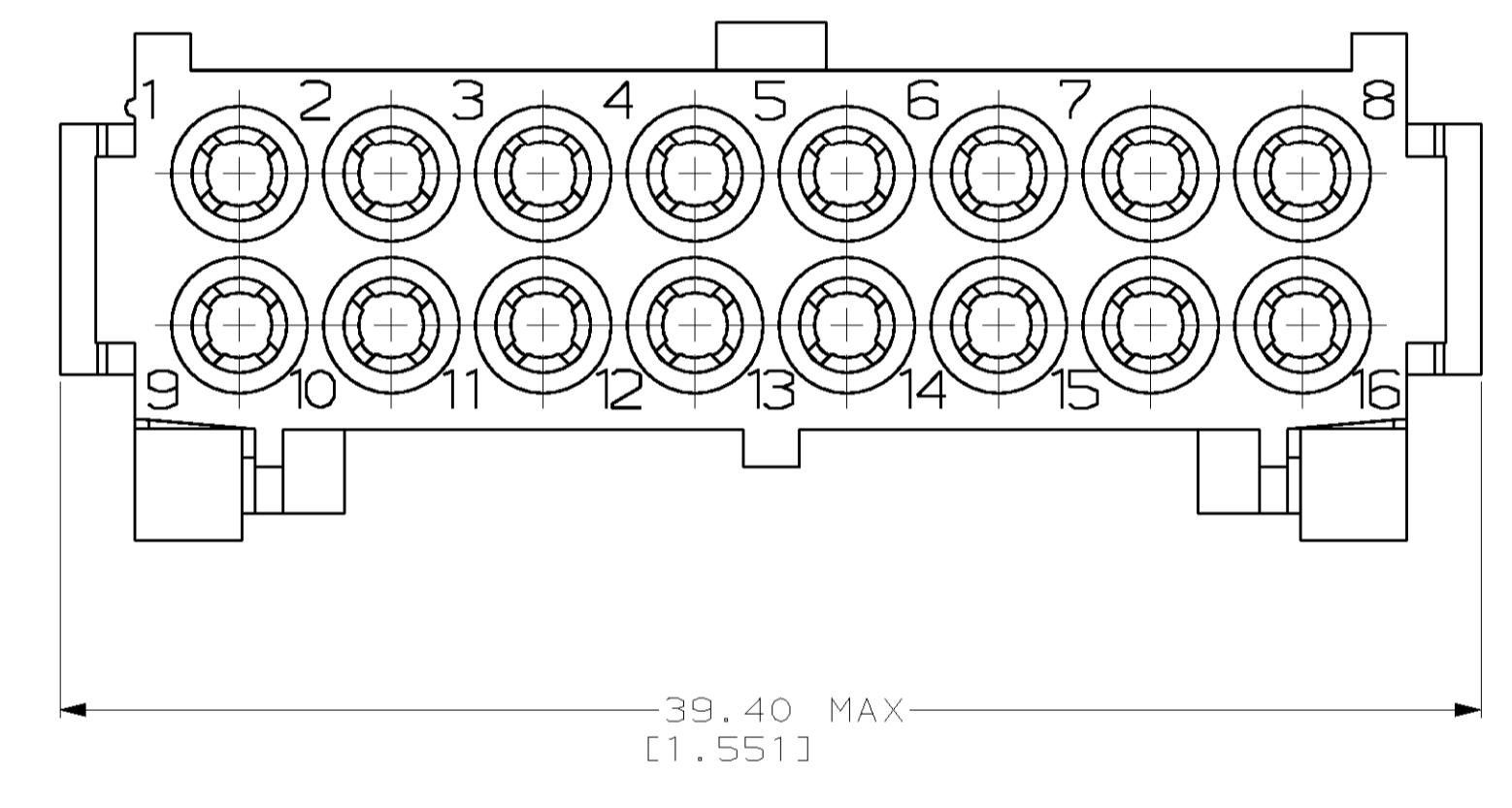
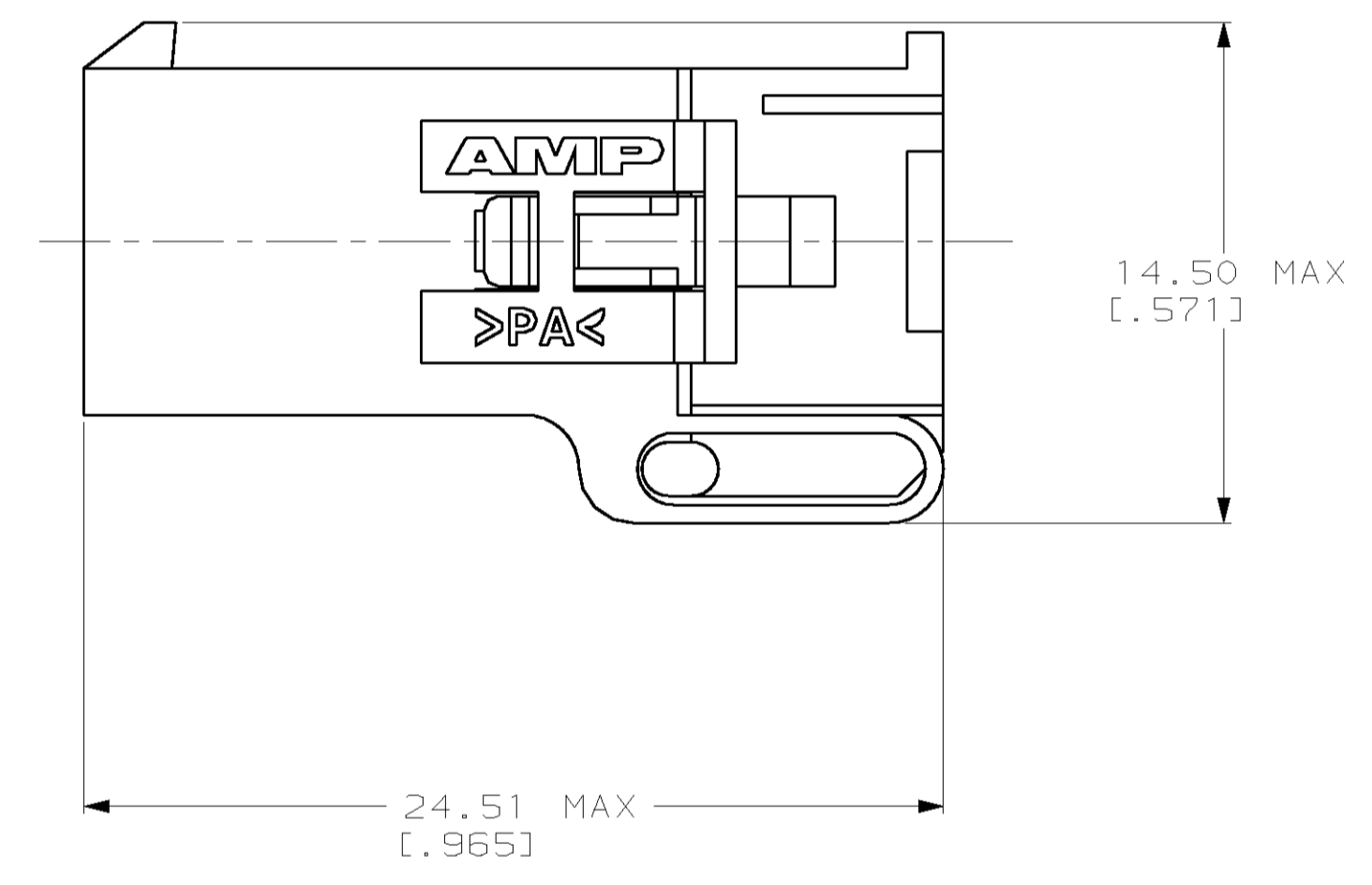
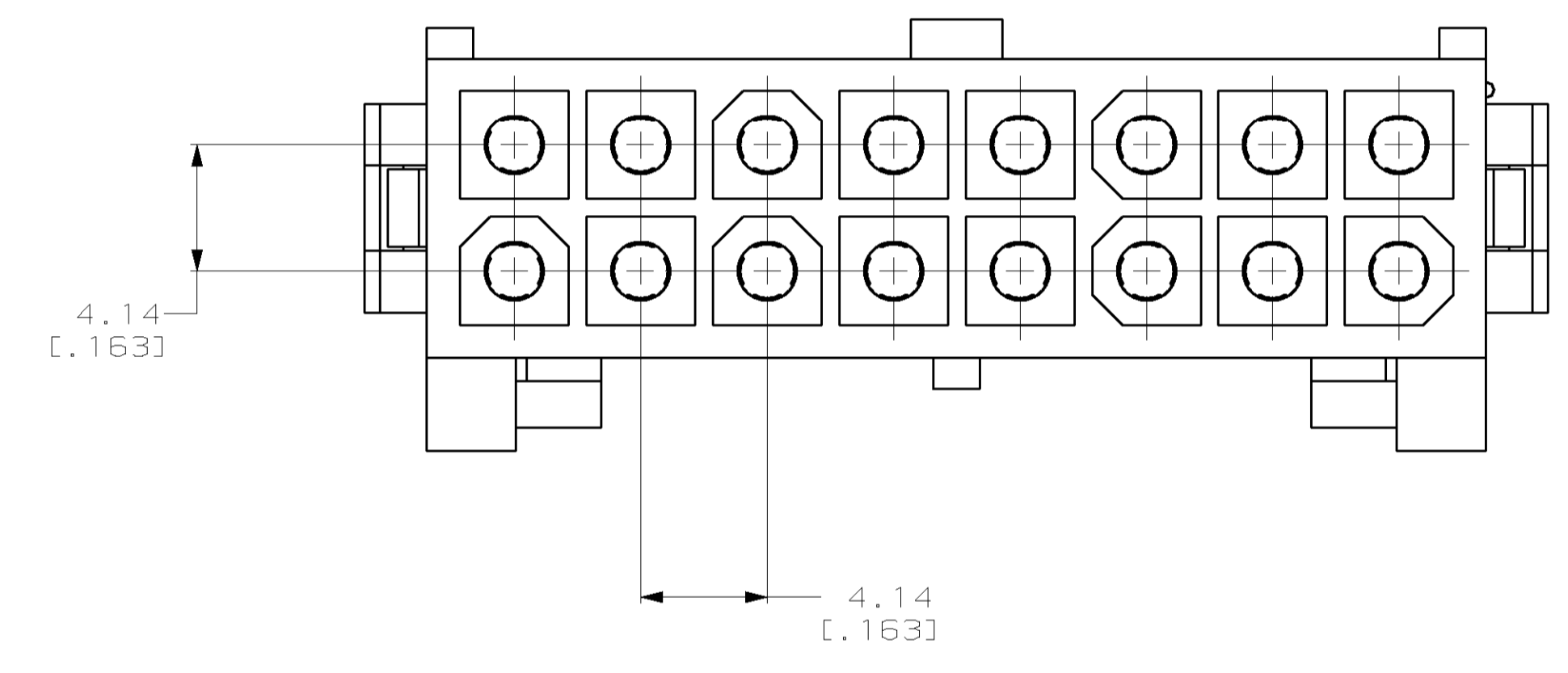


LOC		DIST		REVISIONS			
F	CHR	DATE	BY	APPROV	REV	PER	EC
B		23-SEP-99	KW	KC	1		
REV PER EC 061B-0094-99							



PRE-STAGED CONDITION

1. DIMENSIONS IN BRACKETS ARE IN INCHES.



3-DIMENSIONAL MODEL
NTS

794260-1
PART NUMBER

METRIC

THIS DRAWING IS A CONTROLLED DOCUMENT.		DWN K. WHITAKER	5-19-97		AMP Incorporated Harrisburg, PA 17105-3608	
DIMENSIONS:		CHK R. SWING	5-19-97		NAME	CAP, 16 CIRCUIT, MINI UNIVERSAL MATE-N-LOK™ 2
TOLERANCES UNLESS OTHERWISE SPECIFIED:		APPROV S. ORSTAD	5-19-97		PRODUCT SPEC	
0 PLC ± 1 PLC ± 2 PLC ± 3 PLC ±0.13 (.005) 4 PLC ± ANGLES ±		APPLICATION SPEC			SIZE	A1 00779 C-794260
MATERIAL NYLON, UL 94V-2, NATURAL		FINISH		RESTRICTED TO		
CUSTOMER DRAWING		WEIGHT		SCALE	5:1	
		SHEET	1 OF 1	REV	B	

单击下面可查看定价，库存，交付和生命周期等信息

[>>TE Connectivity\(泰科\)](#)