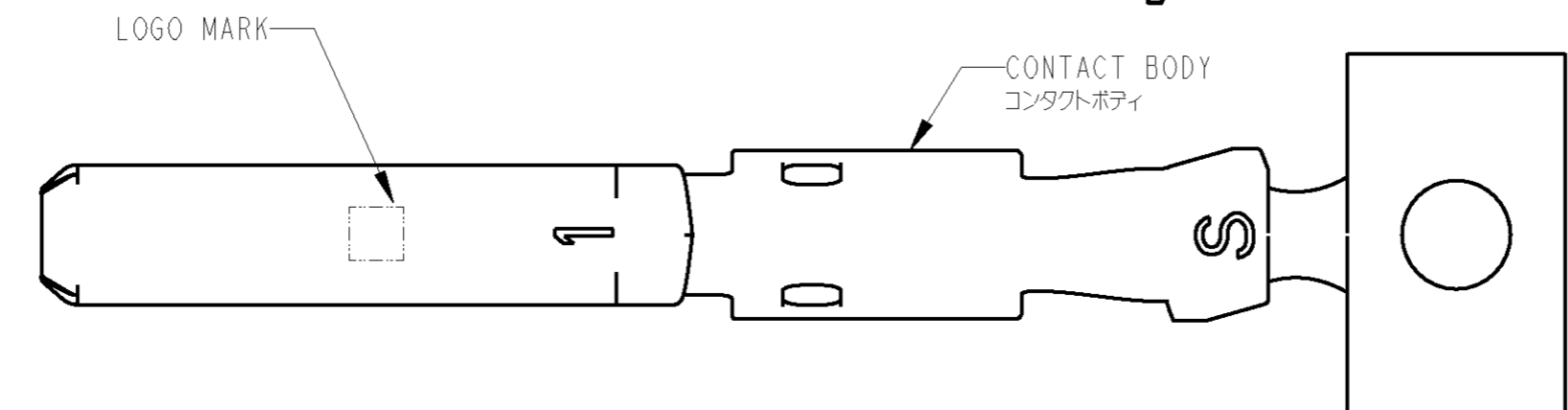
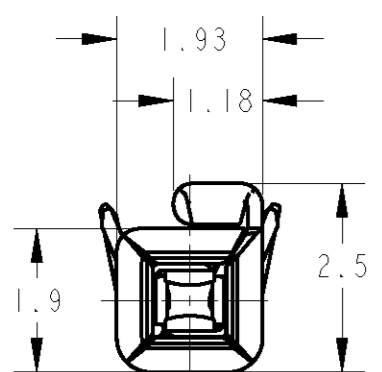
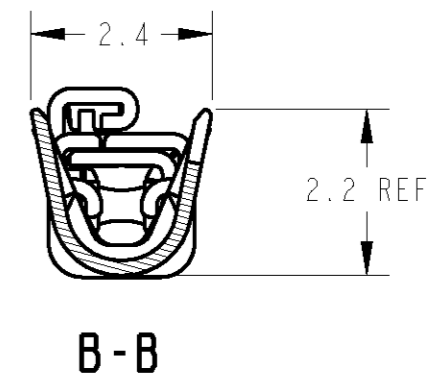
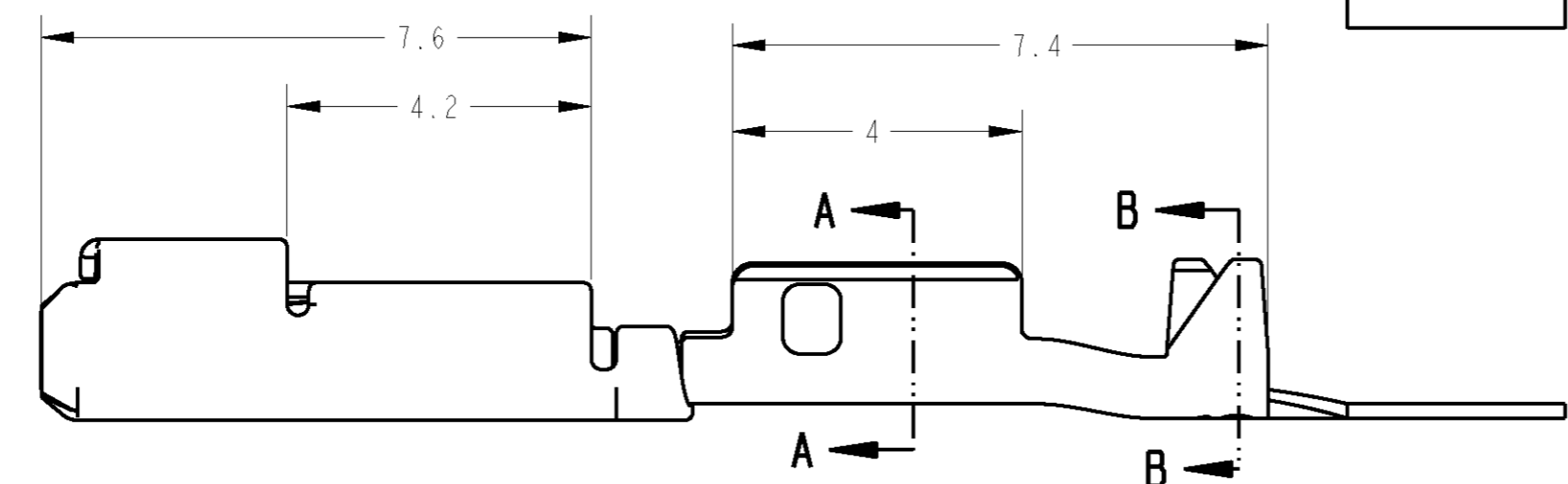
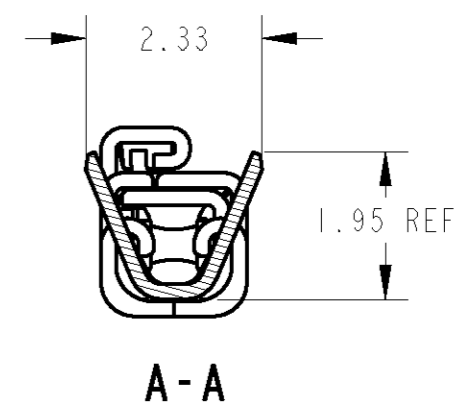
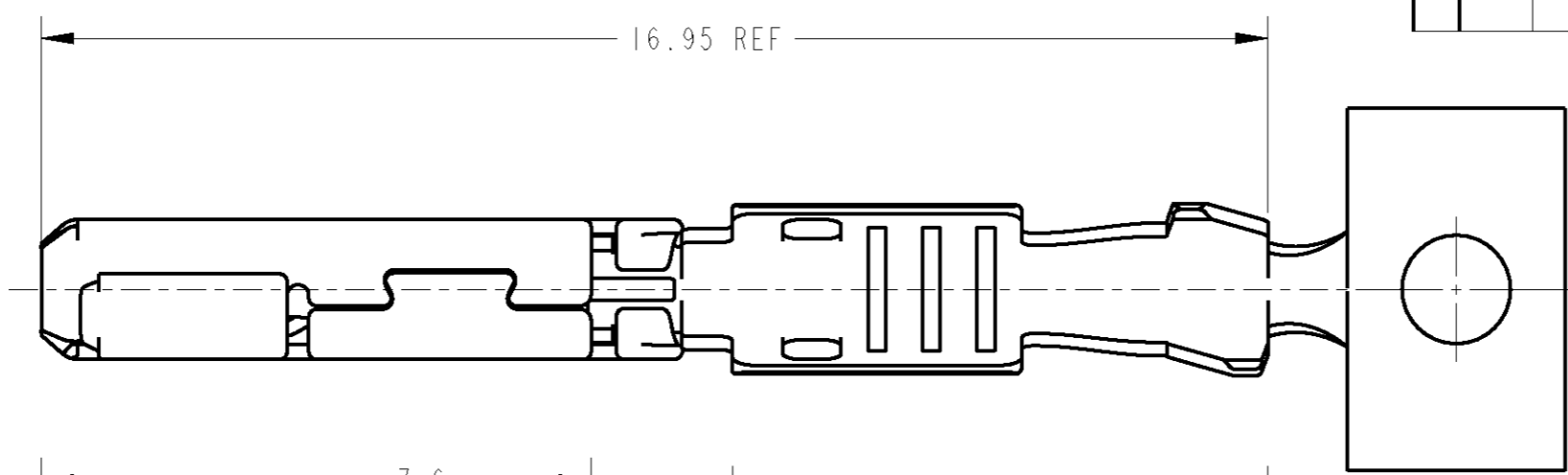


THIS DRAWING IS UNPUBLISHED. RELEASED FOR PUBLICATION 20
 © COPYRIGHT 20 BY TYCO ELECTRONICS CORPORATION. ALL RIGHTS RESERVED.

LOC	REV	P	LTR	DESCRIPTION	ECN	DATE	DWN	APVD
J	X		0	RELEASED	FJA0-0709-03	26NOV03	Y.N	Y.F
			A	REVISED	ECR-10-005857	20APR10	S.F	K.B



I. APPLICATOR FEED: 8mm
 I. アプリケータ送りピッチ: 8mm

BRASS PLAIN	COPPER ALLOY PRE-TIN	1717148-1
CONTACT FERRULE コンタクトフェルル	CONTACT BODY コンタクトボディ	AMP PART NUMBER
MATERIAL / FINISH 材料 / 仕上		

WIRE RANGE 絶縁電線断面積	0.3~0.5 mm ²	INSULATION DIA 被覆外径	φ1.1~1.7
-----------------------	-------------------------	------------------------	----------

THIS DRAWING IS A CONTROLLED DOCUMENT FOR TYCO ELECTRONICS CORPORATION IT IS SUBJECT TO CHANGE AND THE CONTROLLING ENGINEERING ORGANIZATION SHOULD BE CONTACTED FOR THE LATEST REVISION.		DWN Y. NOGUCHI 20-Apr-10 CHK Y. FUJIWARA 20-Apr-10 APVD Y. FUJIWARA 20-Apr-10
DIMENSIONS: mm	TOLERANCES UNLESS OTHERWISE SPECIFIED: 一般公差 = ± 0.2 0 PLC ± 1 PLC ±0.1 2 PLC ±0.05 3 PLC ±0.025 4 PLC ±0.0001 ANGLES ±1.00°	PRODUCT SPEC APPLICATION SPEC 114-5278 WEIGHT 0.23g
MATERIAL COPPER ALLOY	FINISH SEE TABLE	CUSTOMER DRAWING SCALE 10:1 SHEET 1 OF 1 REV A

Tyco Electronics Corporation Kawasaki, Japan		NAME REC CONTACT ASSY S RANGE CLEAN BODY 025 CONNECTOR
SIZE A3	CAGE CODE 00779	DRAWING NO C=1717148
RESTRICTED TO		

单击下面可查看定价，库存，交付和生命周期等信息

[>>TE Connectivity\(泰科\)](#)