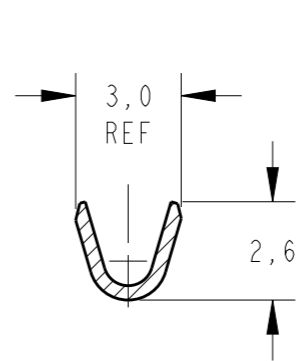
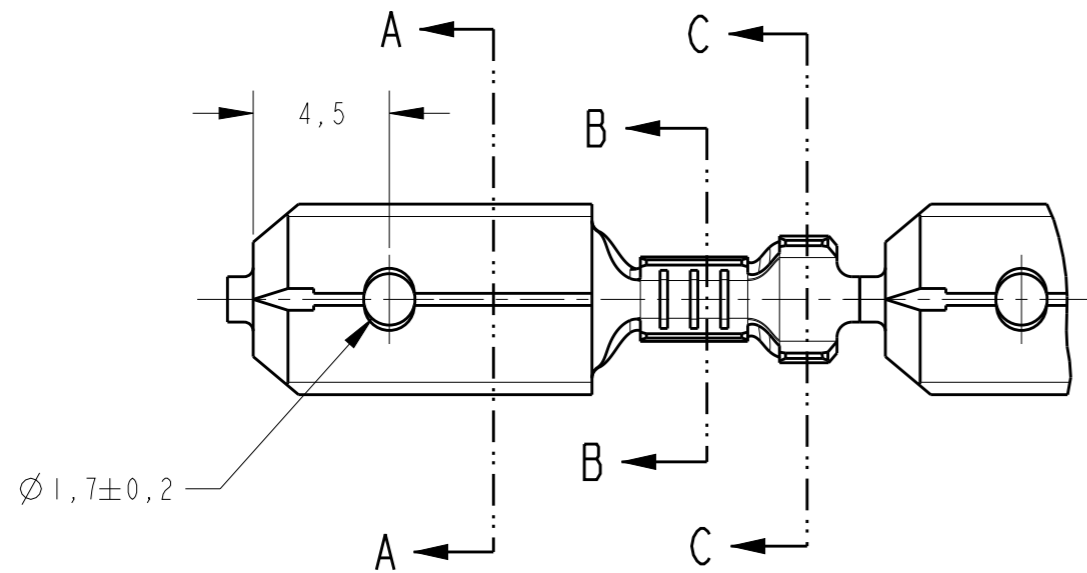
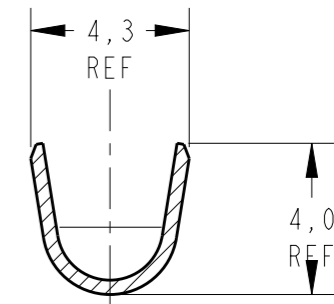


THIS DRAWING IS UNPUBLISHED. RELEASED FOR PUBLICATION 2012
 © COPYRIGHT 2012 BY TE CONNECTIVITY ALL RIGHTS RESERVED.

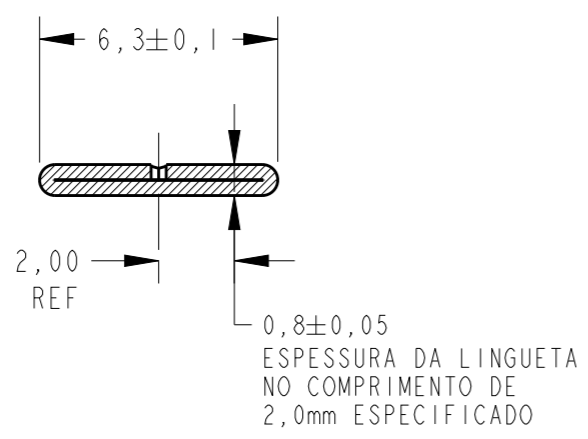
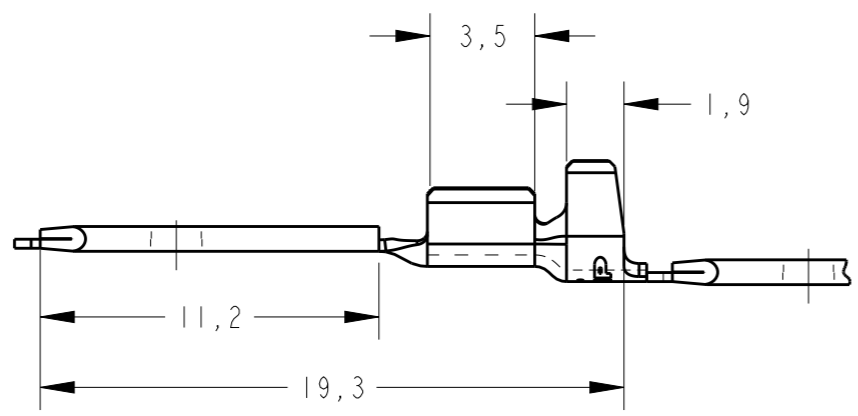
LOC	DIST	REVISIONS			
P	LTR	DESCRIPTION	DATE	DWN	APVD
AP	-				
	J1	REDRAW BY CAD ECO-12-014149	27AUG2012	NCL	DAO
	J2	REVISED BY ECO 16-003725	23JUN2016	HC	WLS



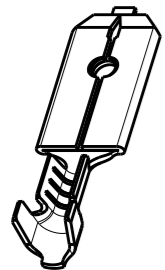
SECTION B-B
SCALE 5:1



SECTION C-C
SCALE 5:1



SECTION A-A
SCALE 5:1



PERSPECTIVE VIEW
SCALE 2:1

FINISH	MATERIAL	PART NUMBER
SILVER PLATED	BRONZE FOSF. /PHOSP BRONZE	626377 -4
ESTANHADO / TIN PLATED	BRONZE FOSF. /PHOSP BRONZE	626377 -3
	LATÃO / BRASS	626377 -2
	LATÃO / BRASS	626377 -1

INS. RANGE	WIRE RANGE
Ø2,0-3,0mm	22-18AWG

THIS DRAWING IS A CONTROLLED DOCUMENT.

DWN NCLAPRESA 13JUL2012	TE Connectivity TERMINAL FASTON .250 TAB				
CHK JRGOLDSCHMIDT 13JUL2012					
APVD DAOLIVEIRA 13JUL2012					
PRODUCT SPEC					
APPLICATION SPEC	NAME				
WEIGHT	SIZE	CAGE CODE	DRAWING NO	RESTRICTED TO	
SEE TABLE	A3	00779	626377	-	
FINISH SEE TABLE	Customer Drawing		SCALE	SHEET 1 OF 1	REV J2

单击下面可查看定价，库存，交付和生命周期等信息

[>>TE Connectivity\(泰科\)](#)