

4

3

2

1

THIS DRAWING IS UNPUBLISHED.

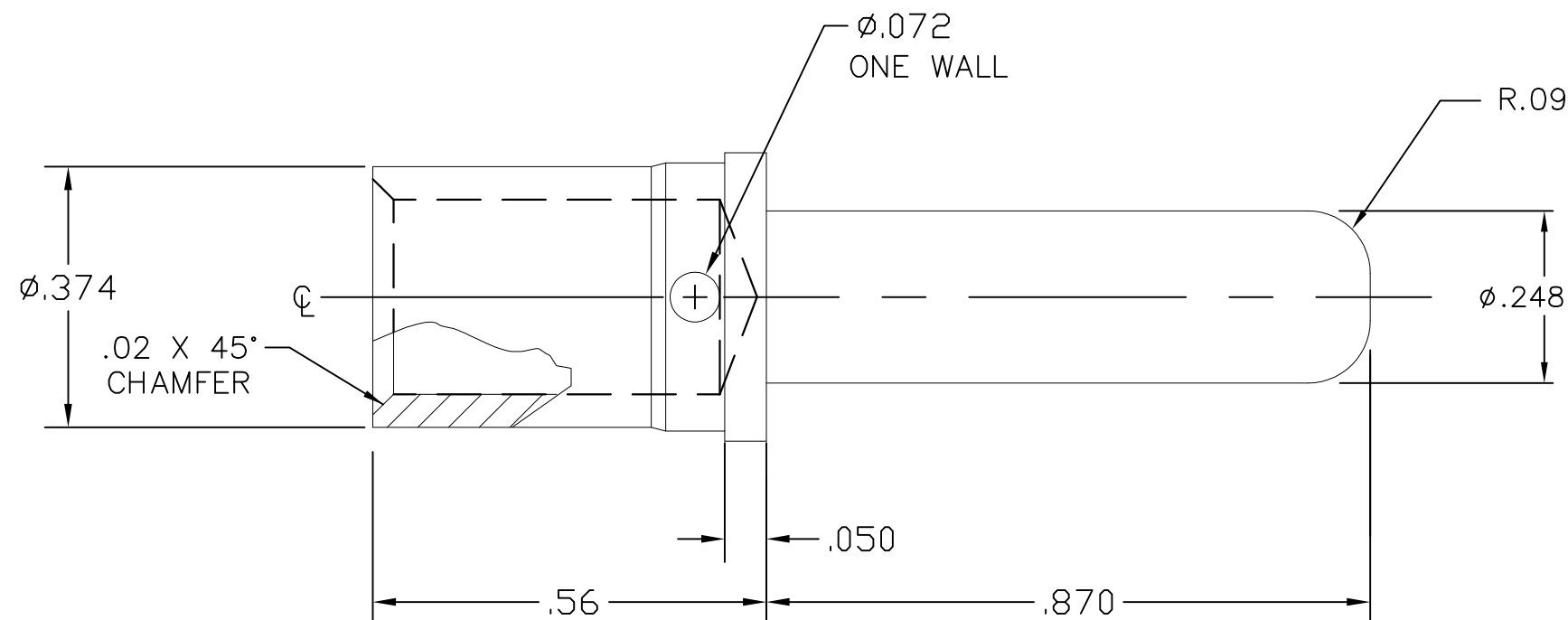
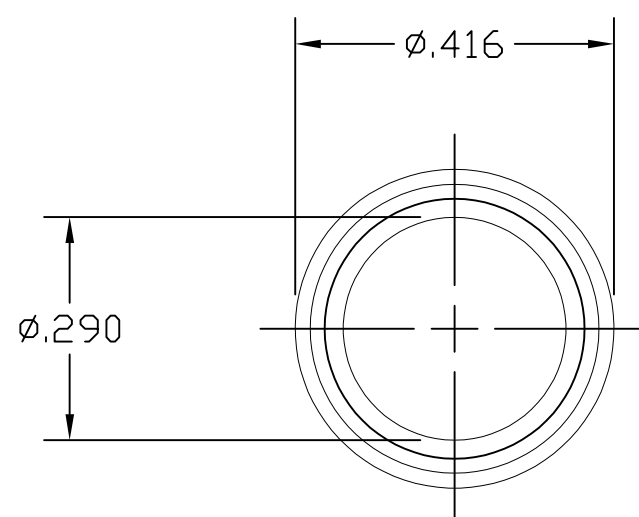
RELEASED FOR PUBLICATION

© COPYRIGHT - BY TYCO ELECTRONICS CORPORATION. ALL RIGHTS RESERVED.

LOC
GPDIST
00

REVISIONS

P	LTR	DESCRIPTION	DATE	DWN	APVD
	A	NEW RELEASE	20APR07	RG	SF



1. PART NUMBER CHANGES AND/OR DESIGN CHANGES AFFECTING ITEM INTERCHANGEABILITY REQUIRE PRIOR TYCO APPROVAL AND AUTHORIZATION BY REVISION TO THIS DRAWING.

2. ITEMS PROVIDED TO THIS SPECIFICATION TO BE PERMANENTLY IDENTIFIED ON THE CONTAINER WITH THE FOLLOWING IDENTIFIER:

TYCO PART NUMBER DATE CODE (e.g. 0212)

XXXXXXXX-X YEAR WEEK

 XXXX

3 MATERIAL: COPPER ALLOY

4 FINISH:
SILVER PLATE .000200 MIN. THK. OVER
NICKEL PLATE .000040 MIN THK.

AS SHOWN	1766253-1
DESCRIPTION	PART NUMER

THIS DRAWING IS A CONTROLLED DOCUMENT.		DWN R.GRZYBOWSKI 30APR2007	Tyco Electronics Corporation Harrisburg, PA 17105-3608												
DIMENSIONS: INCHES		CHK S.FLICKINGER 30APR07	NAME CONTACT, PIN, 1/4 DIA. WITH No. 4 AWG CRIMP BARREL DRAWERS												
TOLERANCES UNLESS OTHERWISE SPECIFIED:		APVD S.FLICKINGER 30APR07	PRODUCT SPEC												
<table border="0"> <tr><td>0 PLC</td><td>± -</td></tr> <tr><td>1 PLC</td><td>± -</td></tr> <tr><td>2 PLC</td><td>± .02</td></tr> <tr><td>3 PLC</td><td>± .010</td></tr> <tr><td>4 PLC</td><td>± -</td></tr> <tr><td>ANGLES</td><td>± -</td></tr> </table>		0 PLC	± -	1 PLC	± -	2 PLC	± .02	3 PLC	± .010	4 PLC	± -	ANGLES	± -	APPLICATION SPEC	
0 PLC	± -														
1 PLC	± -														
2 PLC	± .02														
3 PLC	± .010														
4 PLC	± -														
ANGLES	± -														
MATERIAL	FINISH	WEIGHT	SIZE	CAGE CODE											
		-	A3	00779											
CUSTOMER DRAWING		DRAWING NO	RESTRICTED TO												
		C-1766253	-												
		SCALE	SHEET	REV											
		4:1	1 OF 1	A											

ELCON CIRCULAR CONTACTS

单击下面可查看定价，库存，交付和生命周期等信息

[>>TE Connectivity\(泰科\)](#)