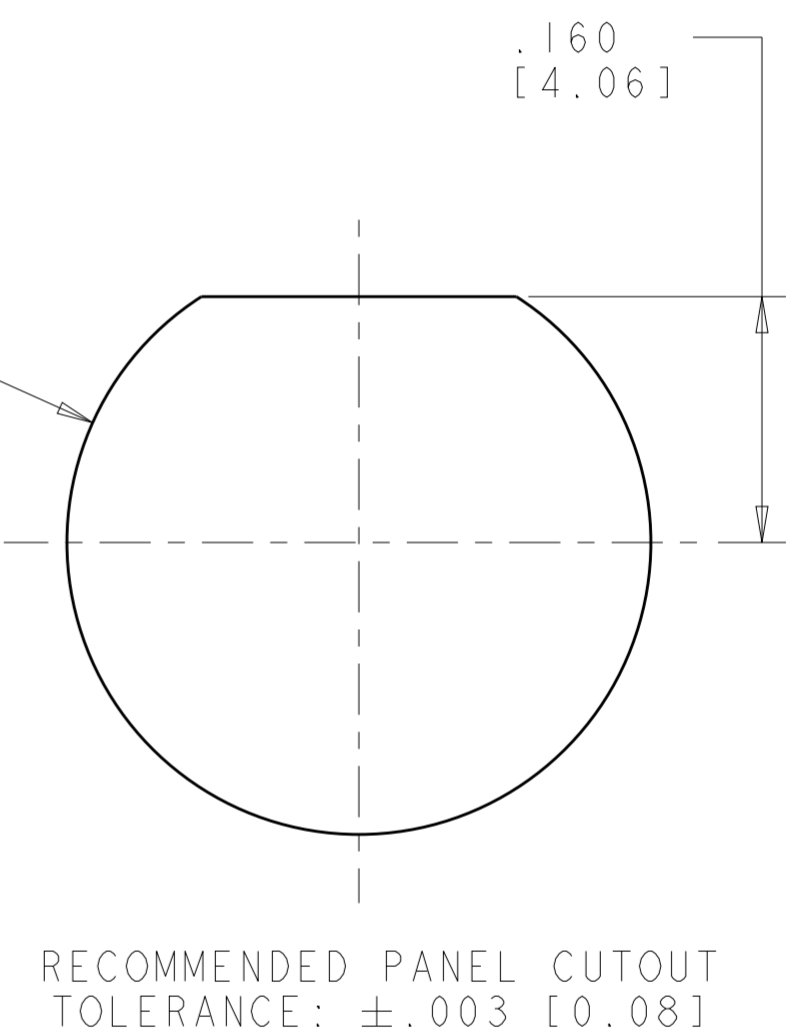
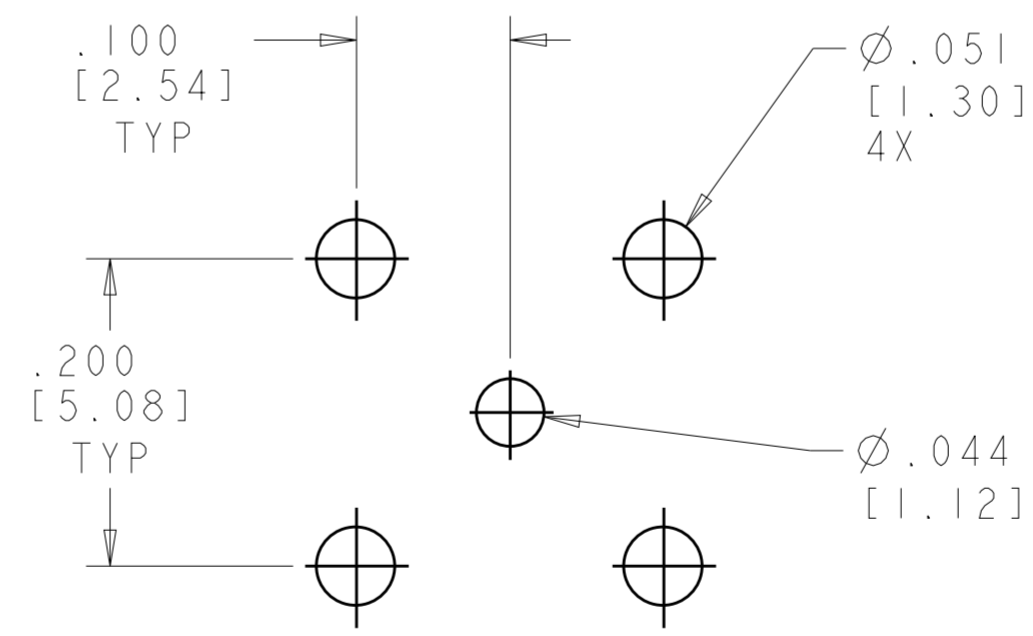
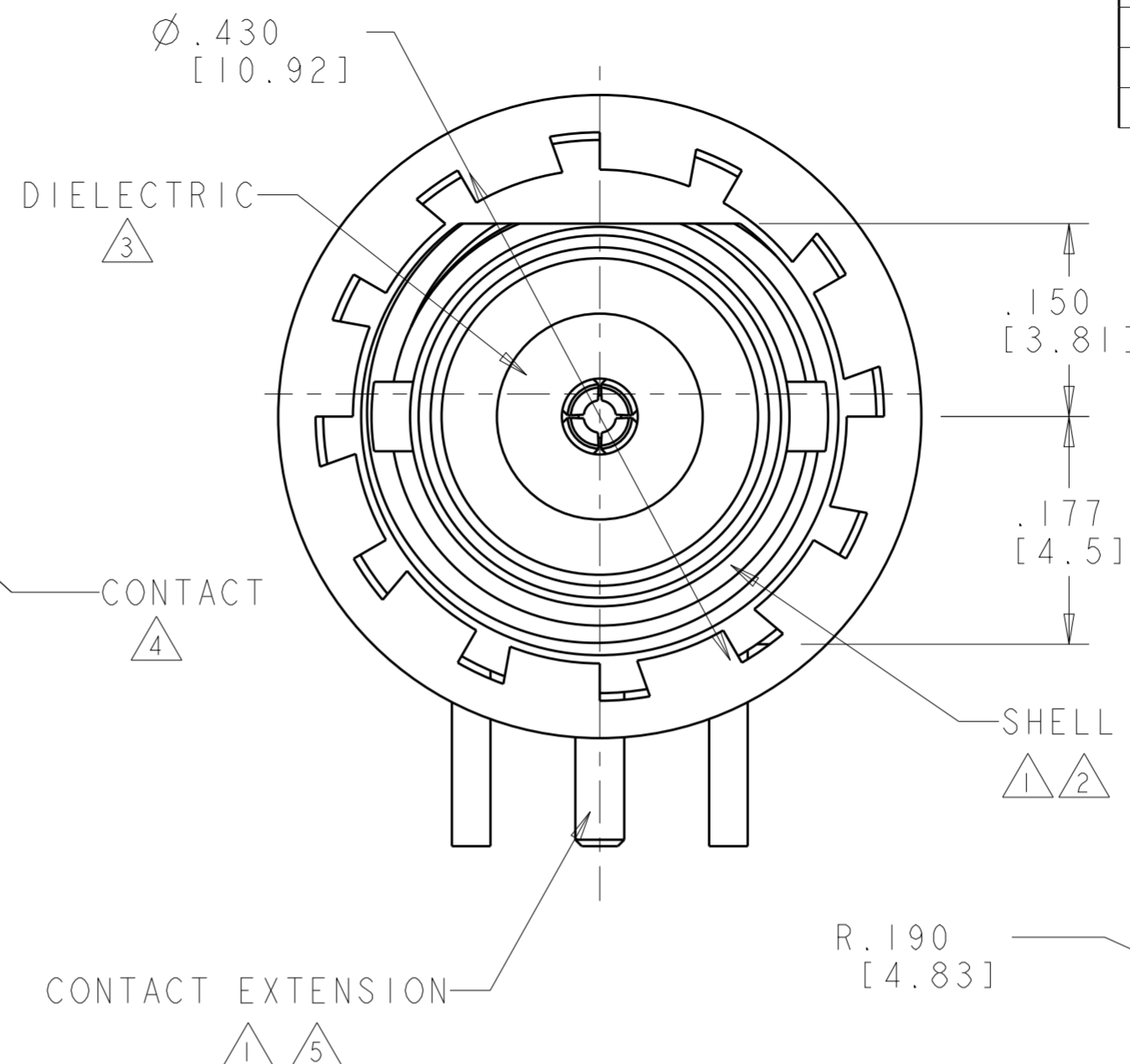
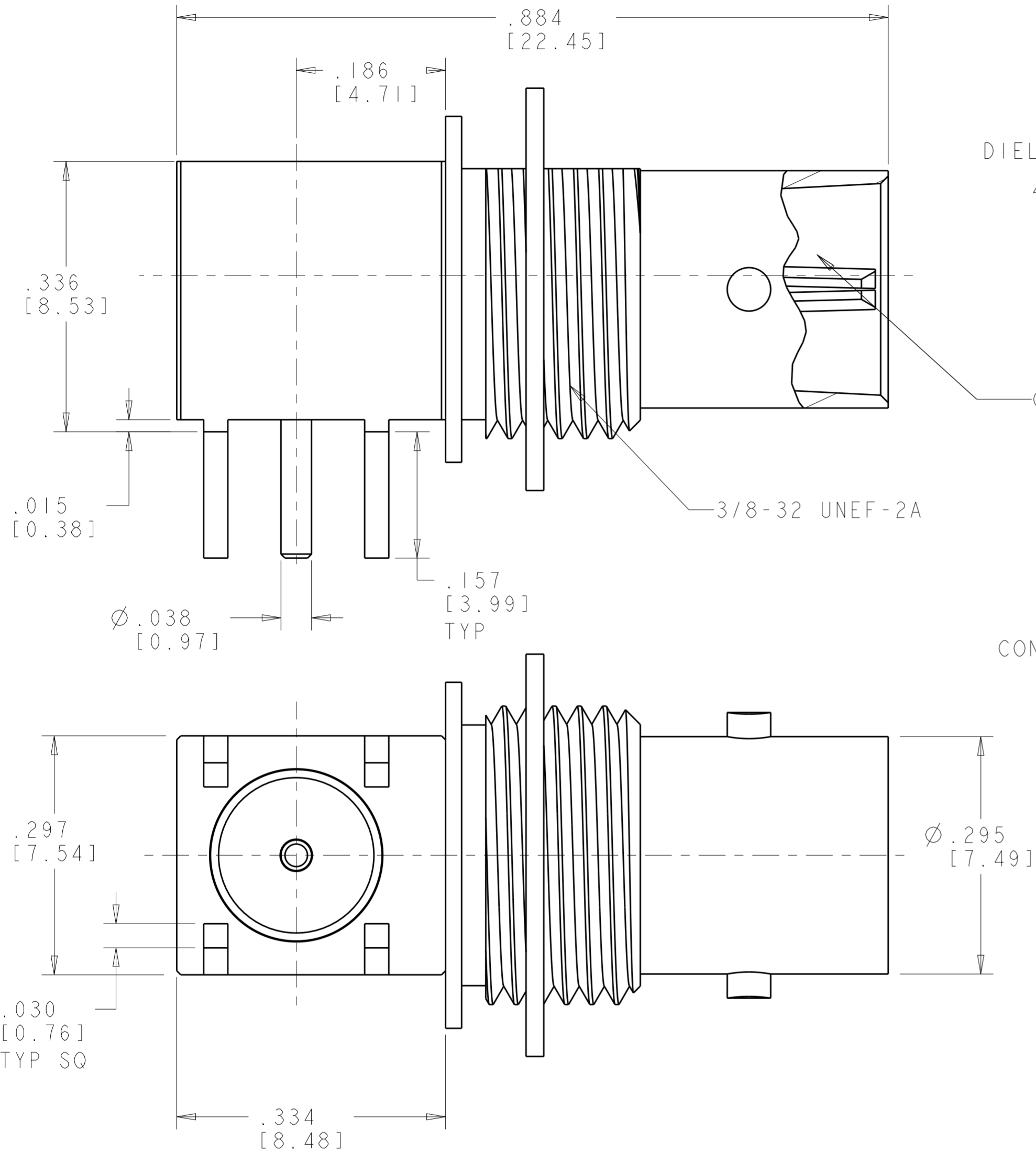


| REVISIONS | | | | | |
|-----------|-----|---------------------------|-----------|-----|------|
| P | LTR | DESCRIPTION | DATE | DWN | APVD |
| D | | REVISED PER ECO-06-020656 | 09OCT2006 | KS | KW |
| DI | | REVISED PER ECR-20-004984 | 03APR2020 | RZ | RS |



- ① BRASS PER ASTM-B-16
- ② NICKEL PLATE PER QQ-N-290
- ③ PTFE PER ASTM-D-1710
- ④ PHOSPHOR BRONZE PER ASTM-B-139
- ⑤ GOLD PLATE PER ASTM-B488, 75µm INCHES [0.0019mm] MINIMUM THICKNESS
- ⑥ GOLD PLATE PER ASTM-B488

RECOMMENDED PCB LAYOUT TOLERANCE: ±.003 [0.08]

| | | |
|----------------|---|----------------------|
| | ⑤ | 1274629-2 |
| OBSOLETE | ⑥ | 1274629-1 |
| CONTACT FINISH | | PART NUMBER |

| | | | | |
|--|---------------|-----------------------------------|--|--|
| THIS DRAWING IS A CONTROLLED DOCUMENT. | | DWN K. WEIDNER 30 JUL 2003 | TE Connectivity | |
| DIMENSIONS: INCHES [mm] | | CHK G. MICHAEL 08 JAN 2004 | NAME JACK, R/A, BULKHEAD, PCB, MINI BNC | |
| TOLERANCES UNLESS OTHERWISE SPECIFIED: | | APVD K. WEIDNER 03 MAR 2004 | SIZE A200779 | |
| 0 PLC ± | | PRODUCT SPEC 108-2159 | DRAWING NO C-1274629 | |
| 1 PLC ± | | APPLICATION SPEC | RESTRICTED TO | |
| 2 PLC ± | | WEIGHT | SCALE 8:1 | |
| 3 PLC ±.005 [0.13] | | | SHEET 1 OF 1 | |
| 4 PLC ± | | | REV DI | |
| ANGLES ±2° | | | | |
| FINISH | | | | |
| MATERIAL material_2 | finish_spec_2 | CUSTOMER DRAWING | | |

单击下面可查看定价，库存，交付和生命周期等信息

[>>TE Connectivity\(泰科\)](#)