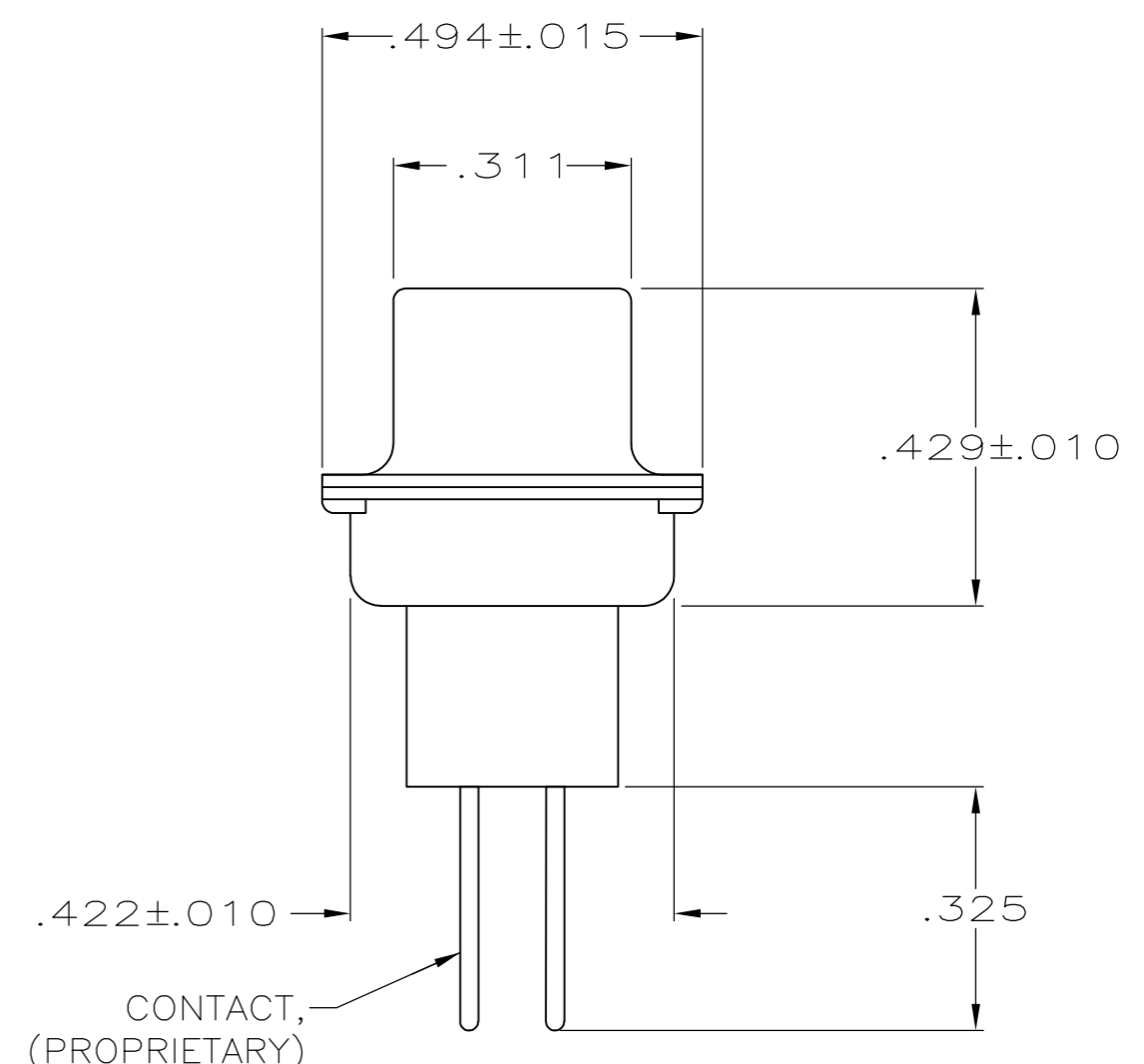
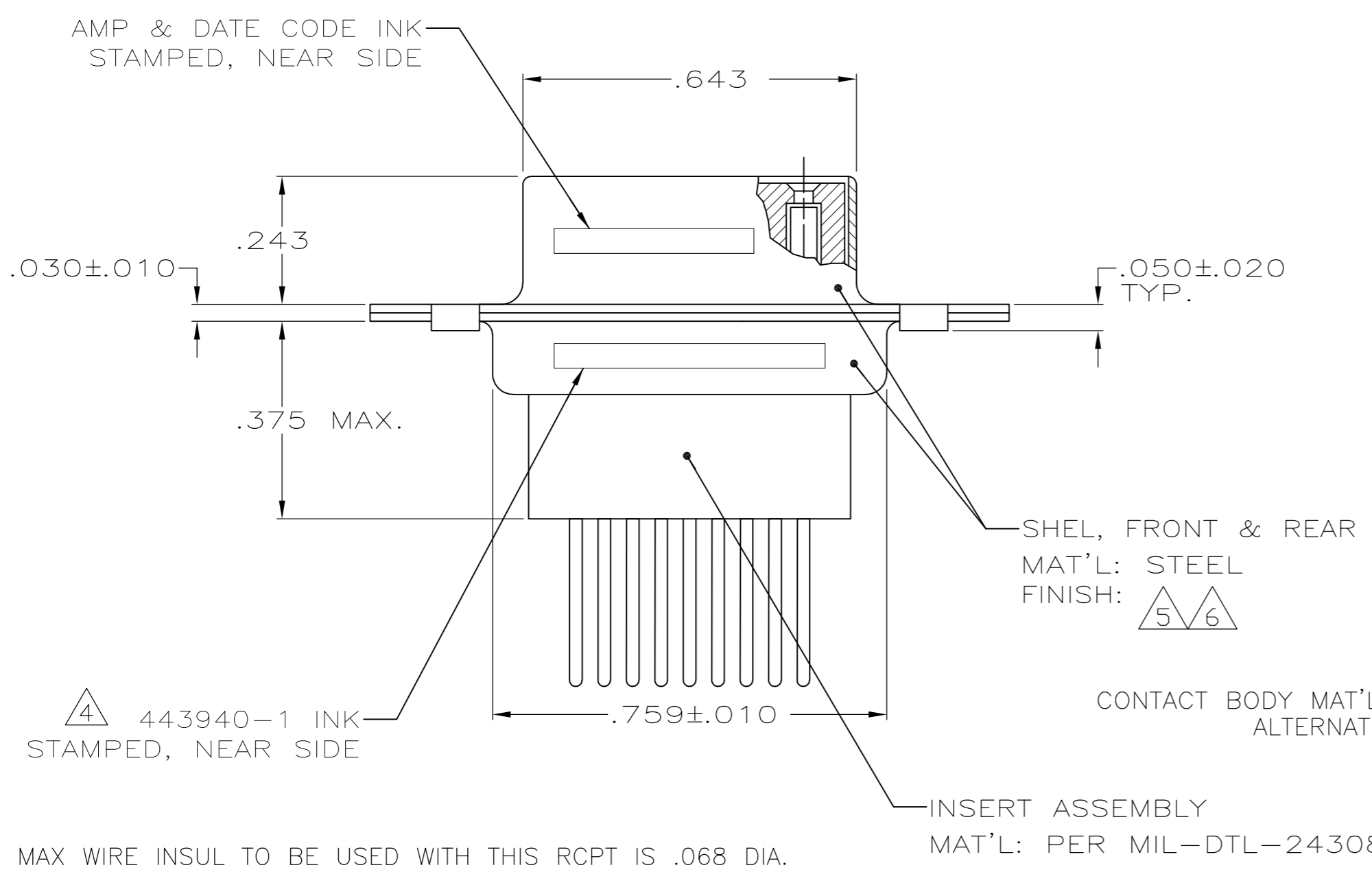
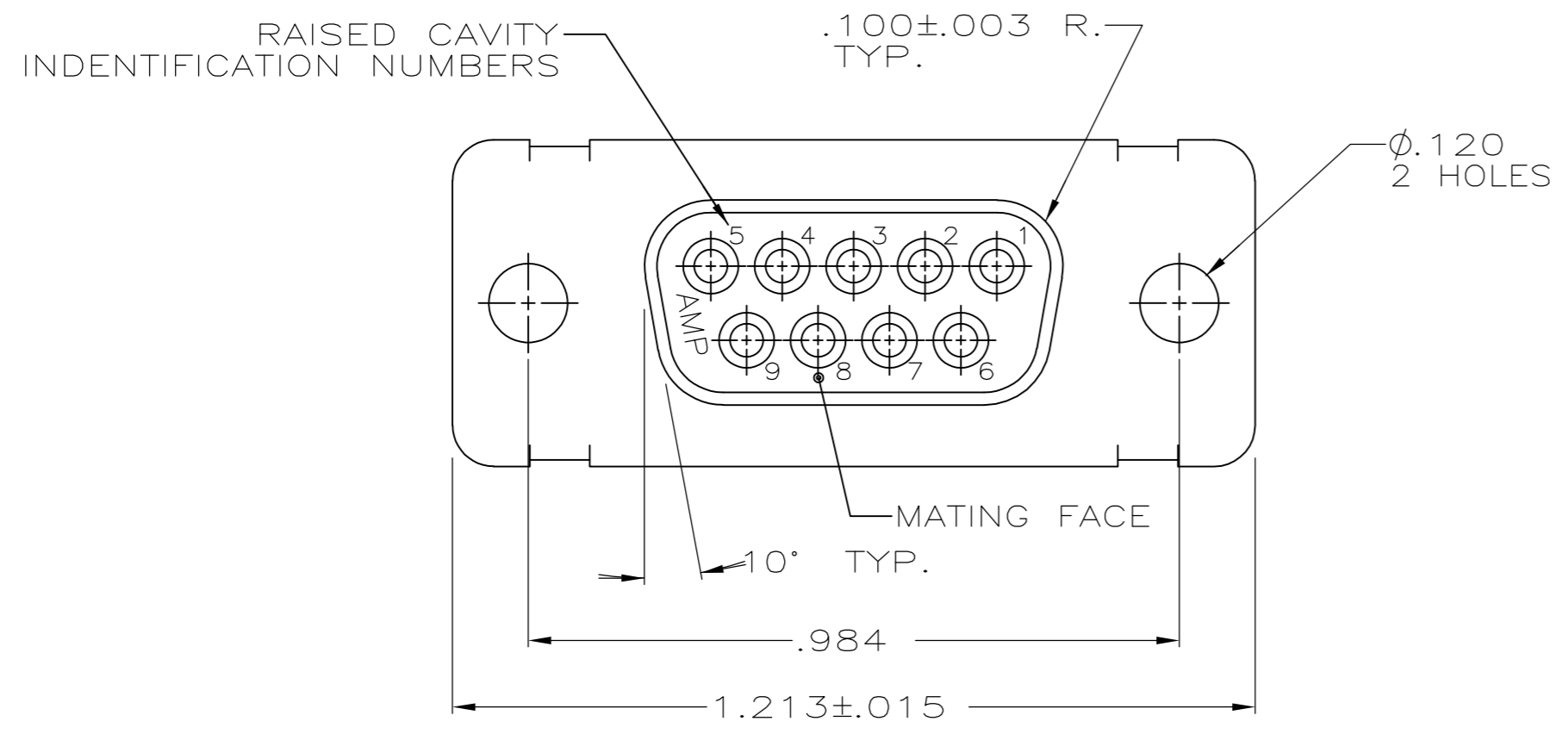


THIS DRAWING IS UNPUBLISHED. RELEASED FOR PUBLICATION
 © COPYRIGHT - By - ALL RIGHTS RESERVED.

LOC		DIST		REVISIONS			
P	LTR	DESCRIPTION	DATE	DWN	APVD		
D		REV PER ECO-15-005911	21MAY15	KG	DM		



AMP & DATE CODE INK STAMPED, NEAR SIDE

4 443940-1 INK STAMPED, NEAR SIDE

SHEL, FRONT & REAR
 MAT'L: STEEL
 FINISH: 5/6

CONTACT BODY MAT'L: LEADED NICKEL COPPER (PROPRIETARY)
 ALTERNATE MAT'L: COPPER ALLOY PER ASTM-B-196
 FINISH: GOLD PER MIL-G-45204
 CLASS 1, TYPE II GRADE C OVER COPPER
 UNDERPLATE PER MIL-C-14550, CLASS 4

INSERT ASSEMBLY
 MAT'L: PER MIL-DTL-24308

- MAX WIRE INSUL TO BE USED WITH THIS RCPT IS .068 DIA.
- STAINLESS STEEL RETENTION CLIPS ARE INCLUDED IN INSERTS.
- THIS RCPT. WILL ACCEPT SIZE 20 SOCKET CONTACT M39029/63-368 OR ANY AMP HD-20 SOCKET CONTACT.
- AMP PART NO STAMPED ON CONNECTOR REPRESENTS KIT NUMBER WITH CONTACTS.
- FINISH: CADMIUM PER QQ-416.
- FINISH: ZINC PLATED PER ASTM-B-633 .000200-.000400 THK WITH SUPPLEMENTARY CHROMATE (Cr3+).

6	5-443940-1
5	443940-1
REMARKS	PART NO

THIS DRAWING IS A CONTROLLED DOCUMENT.		DWN	J.A.Baker	4-23-97	TE Connectivity	
DIMENSIONS: INCHES		CHK	J.WEAVER	5-2-97	CONNECTOR ASSY,AMPLIMITE,SIZE 1, 9 POSITION,SERIES 109	
TOLERANCES UNLESS OTHERWISE SPECIFIED:		APVD	-	-	SIZE	A2
0 PLC ± -		PRODUCT SPEC	-	CAGE CODE	00779	DRAWING NO
1 PLC ± -		APPLICATION SPEC	-	D	C=443940	RESTRICTED TO
2 PLC ± -				SCALE	4:1	SHEET
3 PLC ± .005				1	1	REV
4 PLC ± -				D		
ANGLES ± -						
MATERIAL SEE CALLOUTS		FINISH	SEE CALLOUTS	WEIGHT	-	CUSTOMER DRAWING

单击下面可查看定价，库存，交付和生命周期等信息

[>>TE Connectivity\(泰科\)](#)