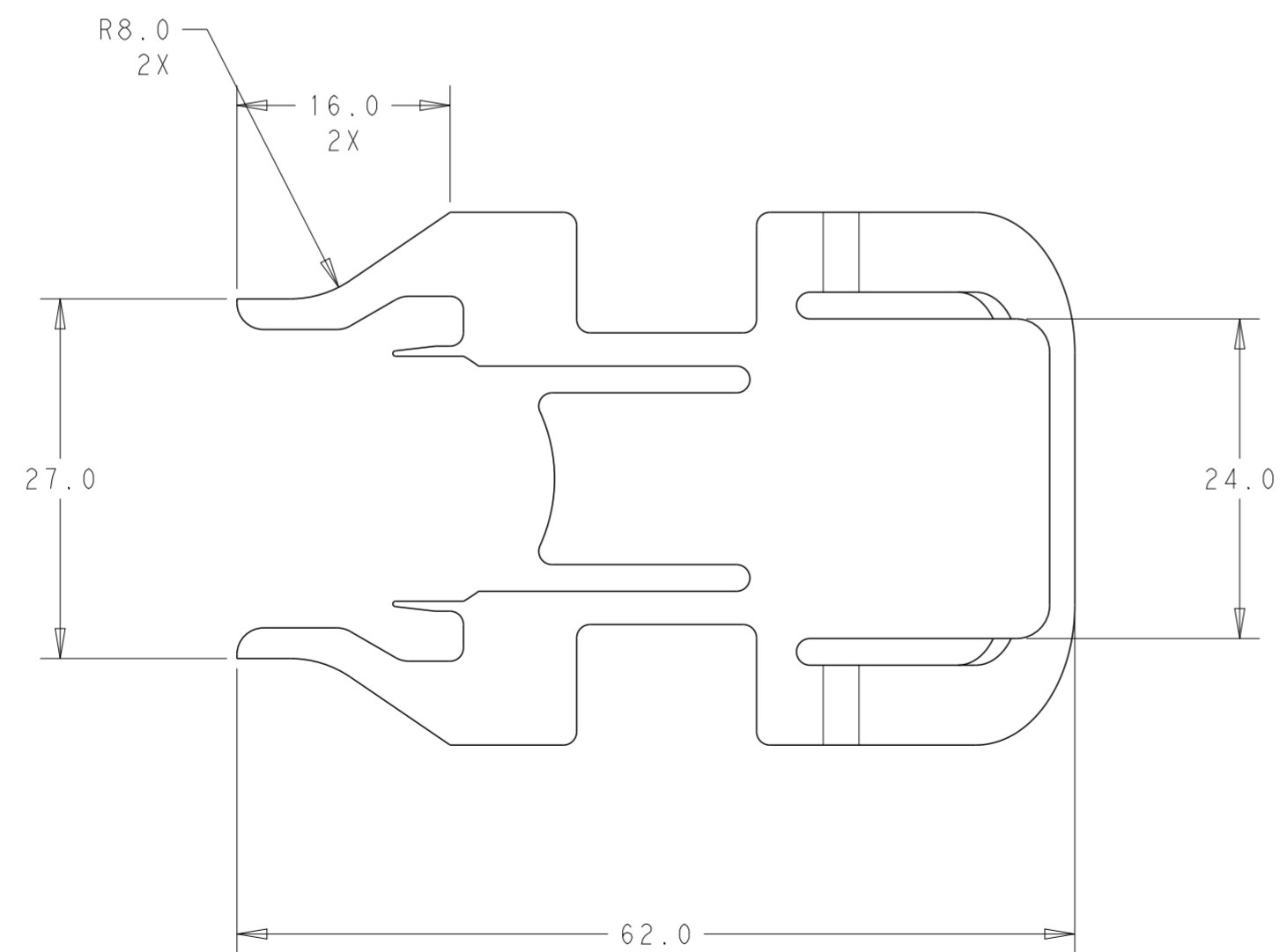
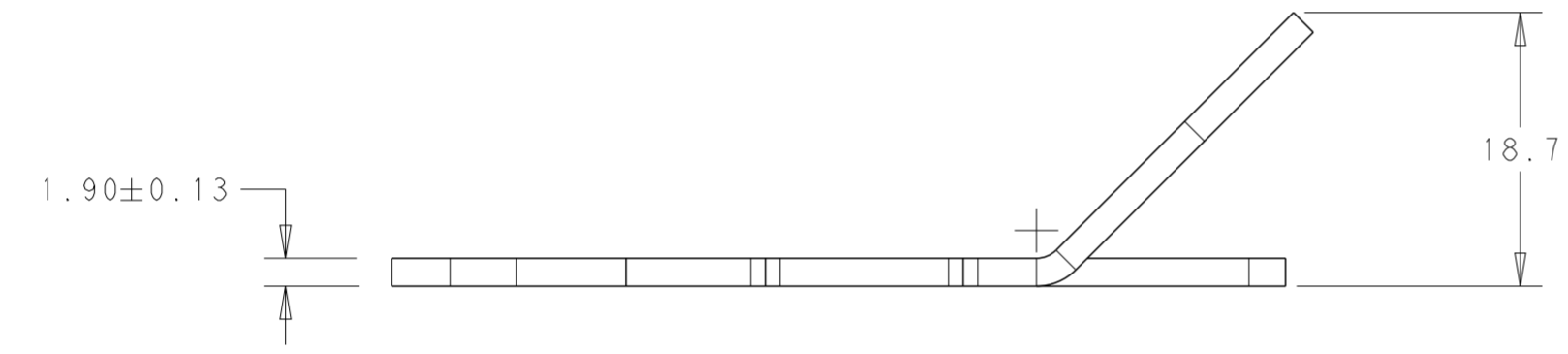
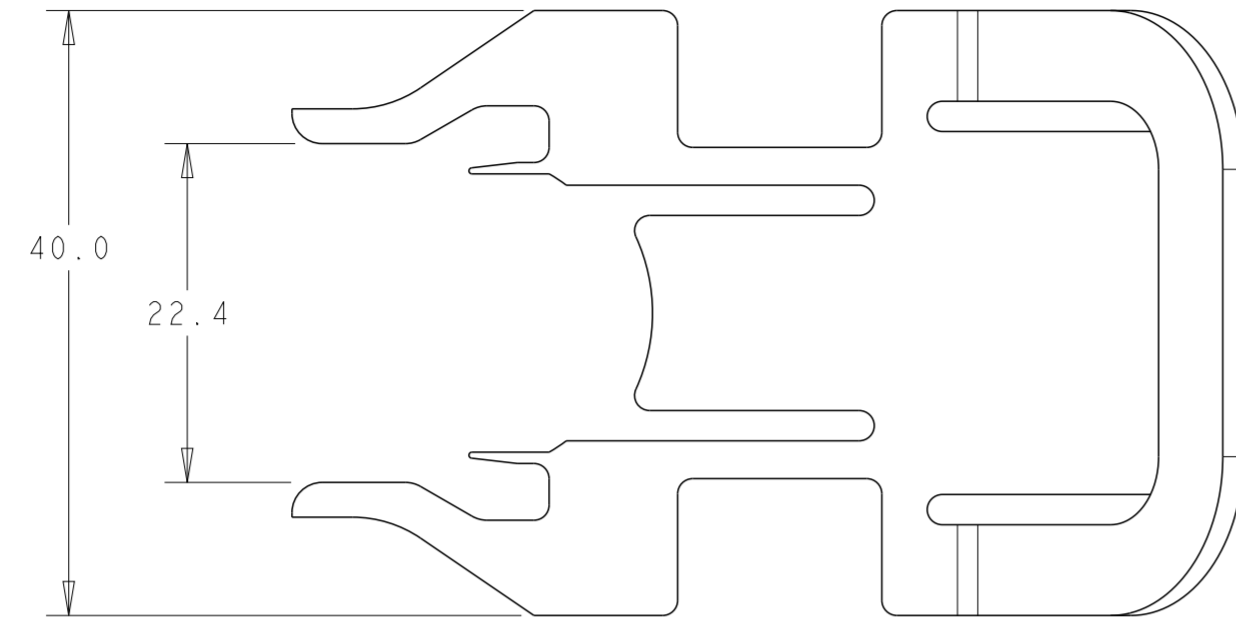
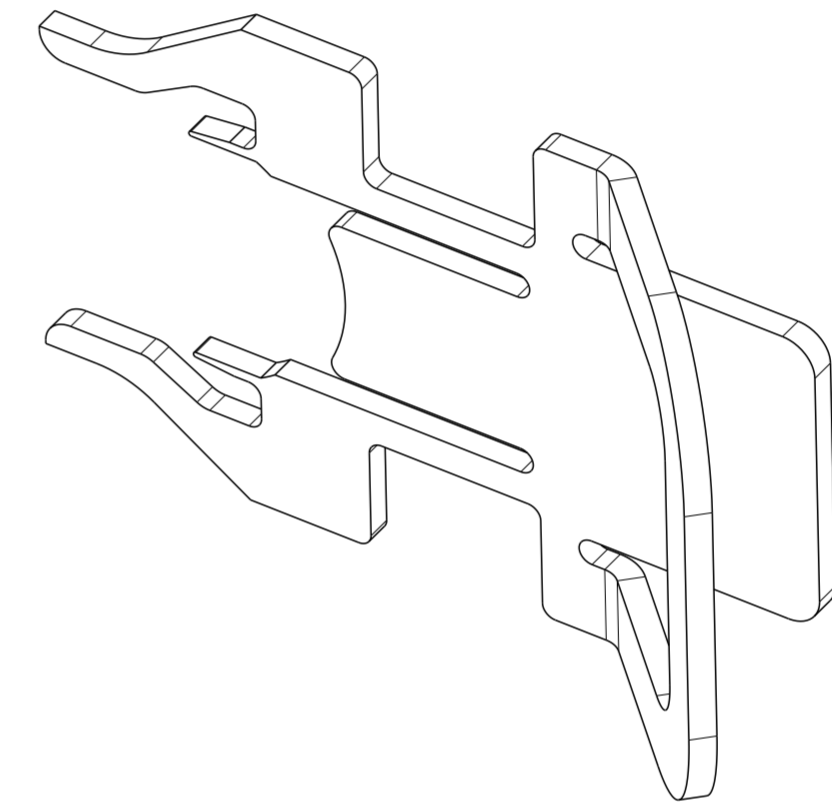


THIS DRAWING IS UNPUBLISHED. RELEASED FOR PUBLICATION 20
 © COPYRIGHT 20 BY - ALL RIGHTS RESERVED.

REVISIONS				
P	LTR	DESCRIPTION	DATE	APVD
A		REVISED AS PER ECR-15-009112	19JUN2015	RS JL
B		REVISED AS PER ECR-15-014807	16NOV2015	RS JL



NOTE:
 1 MATERIAL: STAINLESS STEEL



SCALE 2:1

2213523-1
 PART NO.

THIS DRAWING IS A CONTROLLED DOCUMENT.		DWN RAVI.S 24FEB2015	TE Connectivity	
DIMENSIONS: mm		CHK L.JUSTIN 24FEB2015		
TOLERANCES UNLESS OTHERWISE SPECIFIED:		APVD L.JUSTIN 24FEB2015	NAME NECTOR M 5/6/7 POSITION DE-LATCH TOOL	
0 PLC ± 1 PLC ±0.15 2 PLC ±0.10 3 PLC ± 4 PLC ± ANGLES ±3° FINISH -		PRODUCT SPEC 108-133014	RESTRICTED TO	
MATERIAL 1		APPLICATION SPEC 114-32111	SIZE A2	CAGE CODE -
		WEIGHT -	DRAWING NO G-2213523	SCALE 1:1
		Customer Drawing	SHEET 1	REV B

单击下面可查看定价，库存，交付和生命周期等信息

[>>TE Connectivity\(泰科\)](#)