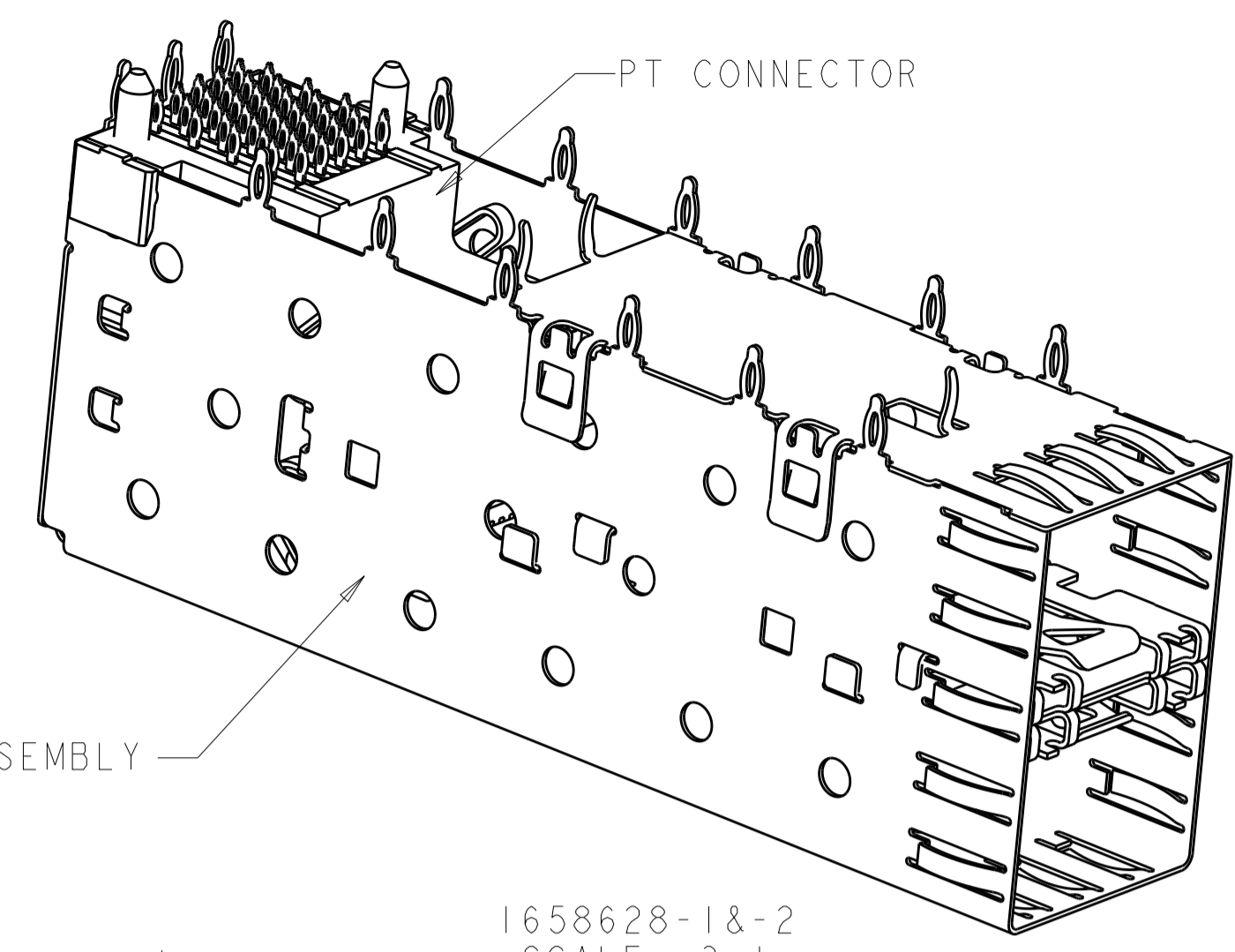
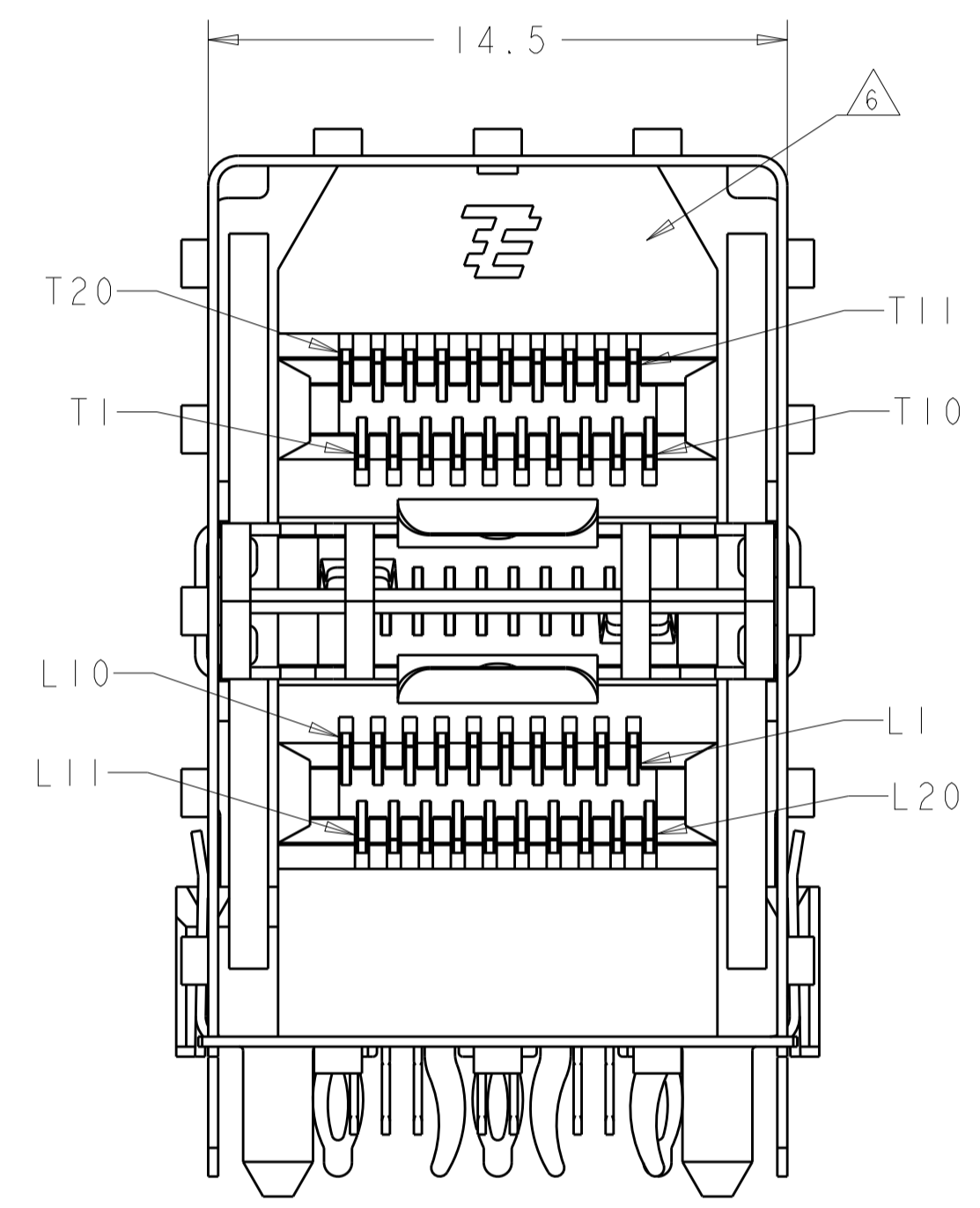
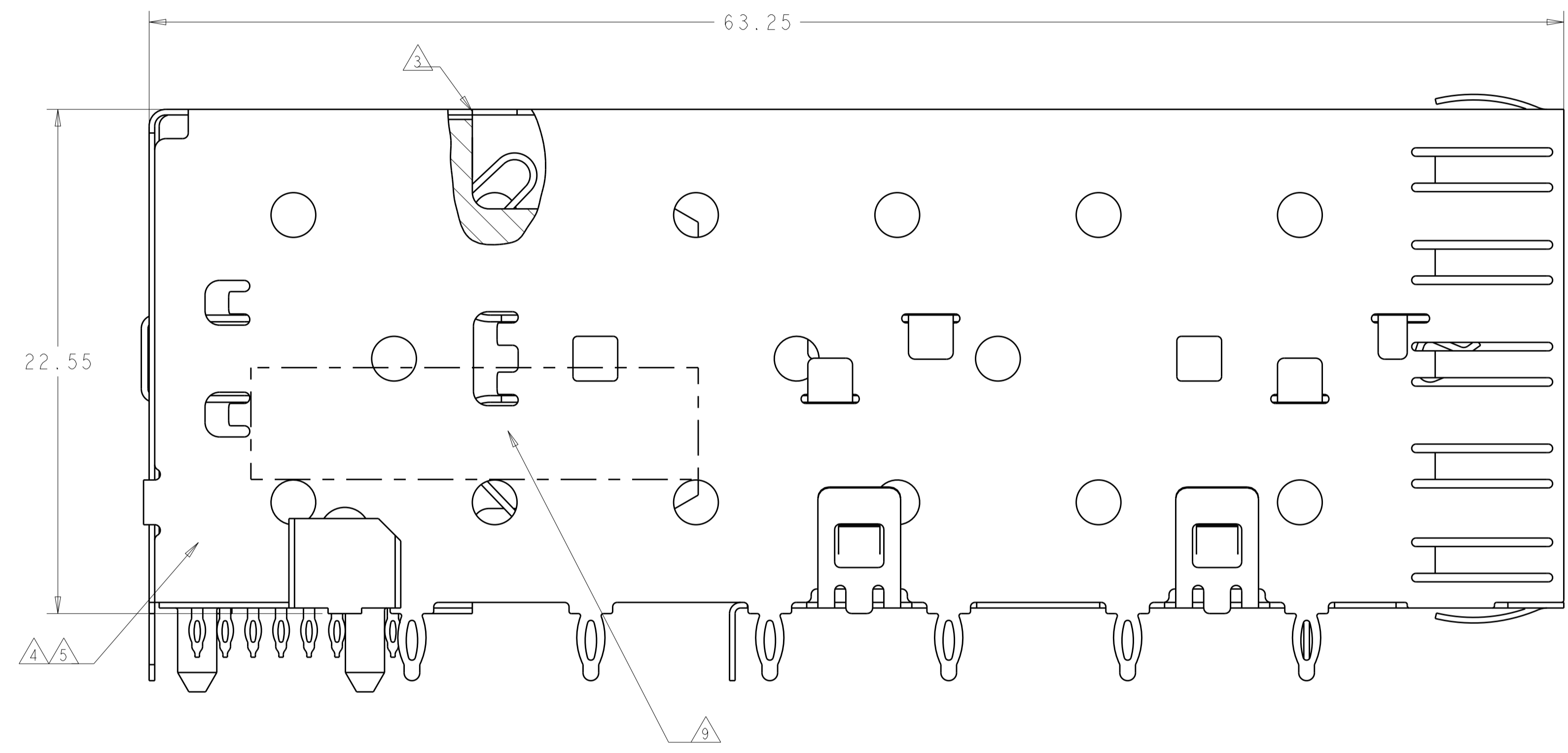


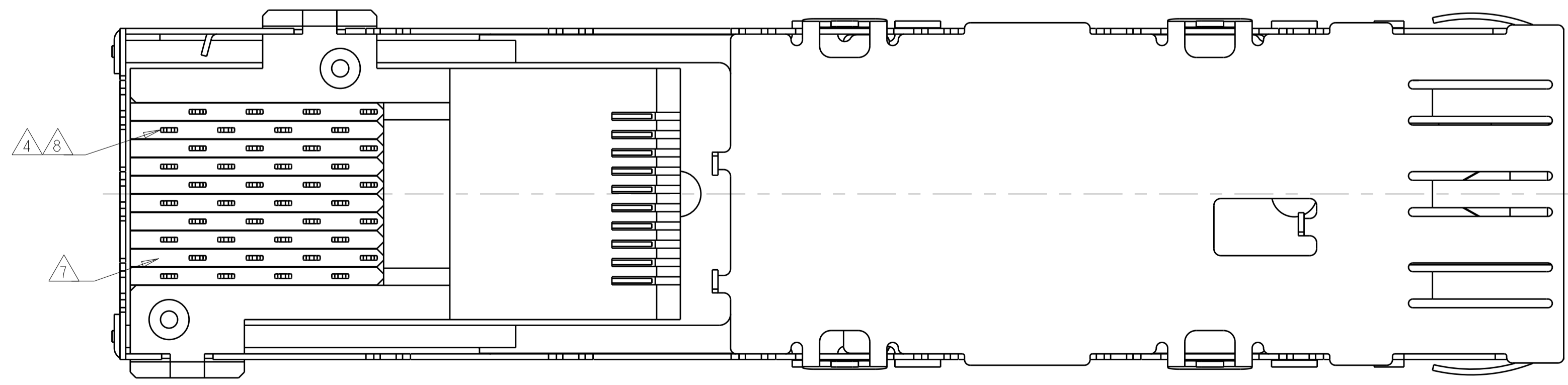
LOC	DIST	REVISIONS			
		REV	DATE	BY	CHKD
ES	00	F1	18MAR2011	RK	HMR
		G	20FEB2014	JW	SH
		G1	11JUL2014	JW	SH
		H	22SEP2015	JW	SH



1658628-18-2
SCALE 3:1



- ① DATUM AND BASIC DIMENSION TO BE DETERMINED BY CUSTOMER.
- ② INTERPRETATION OF DATUM REFERENCE FRAME IN ACCORDANCE WITH SECT 4.4.1.1 OF ASME Y14.5M-1994.
- ③ TOP OF PT CONNECTOR TO BE 0-0.15 FROM INSIDE SURFACE OF CAGE.
- ④ COPPER ALLOY.
- ⑤ 1.25umMIN TIN PER ASTM B 545 OVER NICKEL FLASH PER QQ-N-290. NON-PLATED EDGES PERMISSIBLE.
- ⑥ LCP, HIGH TEMPERATURE, UL 94V-0 RATED, BLACK.
- ⑦ POLYESTER, UL 94V-0 RATED, BLACK.
- ⑧ CONTACT MATING AREA: SURFACE TREATMENT OVER 0.76um MIN GOLD PER ASTM B 488 OVER 1.27um MIN NICKEL PER QQ-N-290. NEEDLE EYE: 1.25um MIN TIN PER ASTM B 545 OVER 1.27um MIN NICKEL PER QQ-N-290. REMAINDER OF CONTACT: 0.76um MIN NICKEL PER QQ-N-290.
- ⑨ DATE CODE AND PART NUMBER IN APPROXIMATE AREA SHOWN.
- ⑩ MATERIAL: NICKEL SILVER ALLOY(NO PLATING)



SUPERSEDED BY:
1658628-2

CONNECTOR FINISH	CONNECTOR MATERIAL	CAGE FINISH	CAGE MATERIAL	PART NUMBER
⑧	④, ⑦	⑤	⑥	1658628-2
NO				

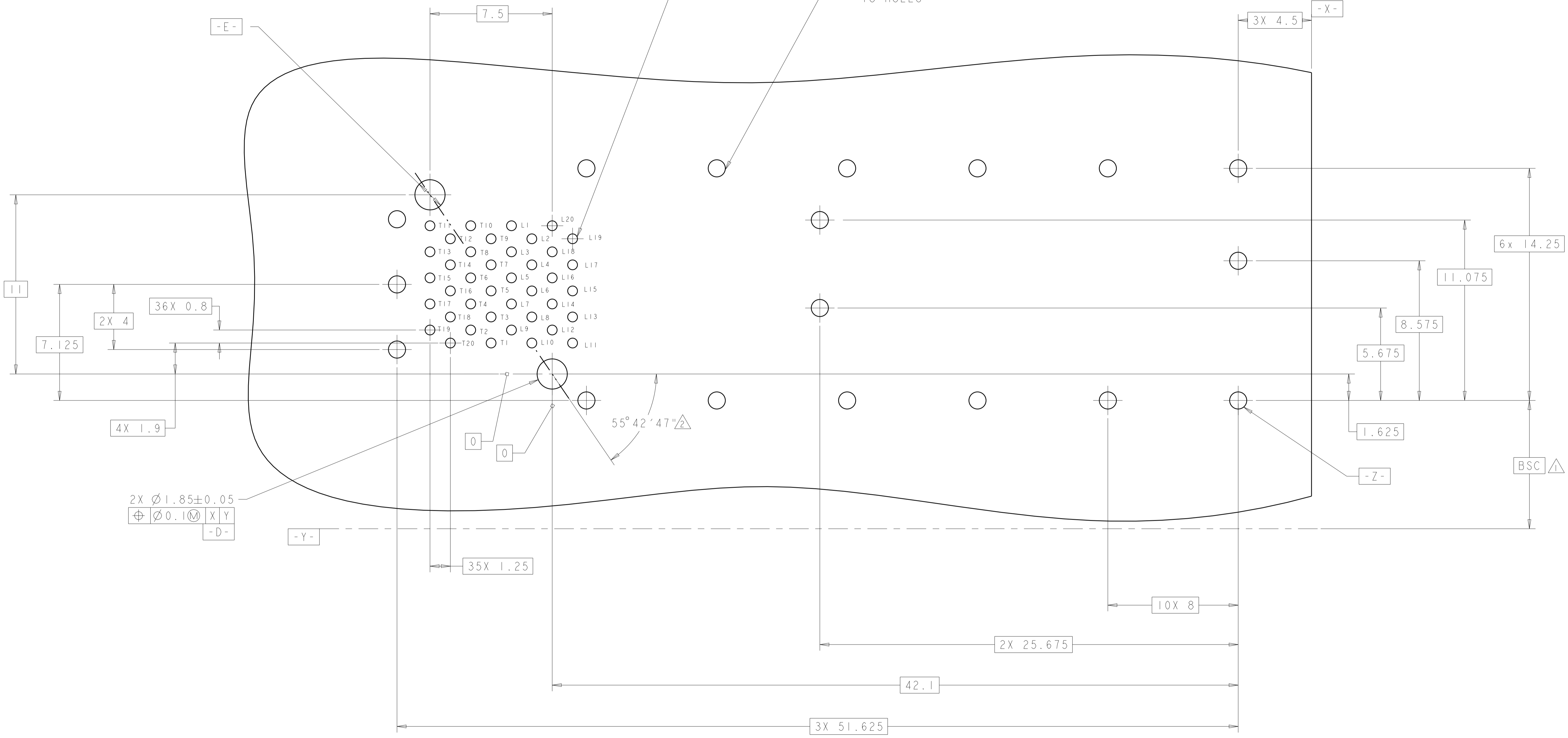
THIS DRAWING IS A CONTROLLED DOCUMENT.		OWN	17APR03
DIMENSIONS:		CHK	R. HENRY
TOLERANCES UNLESS OTHERWISE SPECIFIED:		APVD	J. KOPPENHEFFER
mm	0 PLC ±	NAME	M. WALMSLEY
	1 PLC ±0.1	PRODUCT SPEC	108-2161
	2 PLC ±	APPLICATION SPEC	114-13103
	3 PLC ±	WEIGHT	
	4 PLC ±	Customer Drawing	
	ANGLES ±	SCALE	6:1
MATERIAL FINISH		SHEET	1 OF 3
		REV	H

STE TE Connectivity
 CAGE AND PT CONNECTOR ASSEMBLY, 2x1, PRESS FIT, LOW PROFILE, SFP
 SIZE CAGE CODE DRAWING NO. RESTRICTED TO
 A100779C=1658628

LOC	DIST	REVISIONS			
P	LTN	DESCRIPTION	DATE	DWN	APVD
ES	00	SEE SHEET 1			

THE HOLE SIZE IS RECOMMENDED ON THE PAGE 4 (TOP OF FIGURE2 FOR CONNECTOR) OF THE TE DOCUMENT 114-13103
 $\varnothing 0.08 \text{ (M)} | \text{DS} | \text{ES}$
 40 HOLES

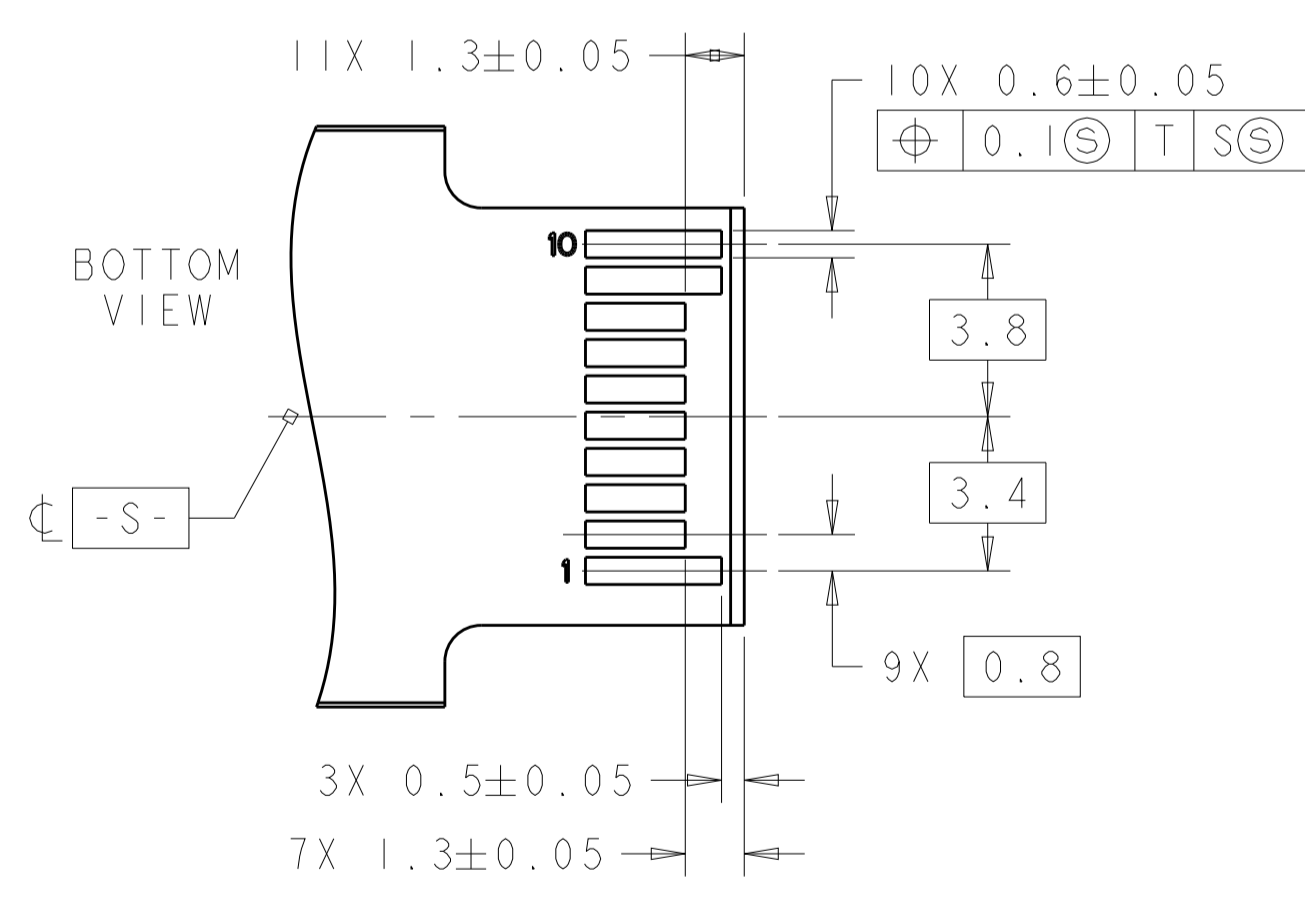
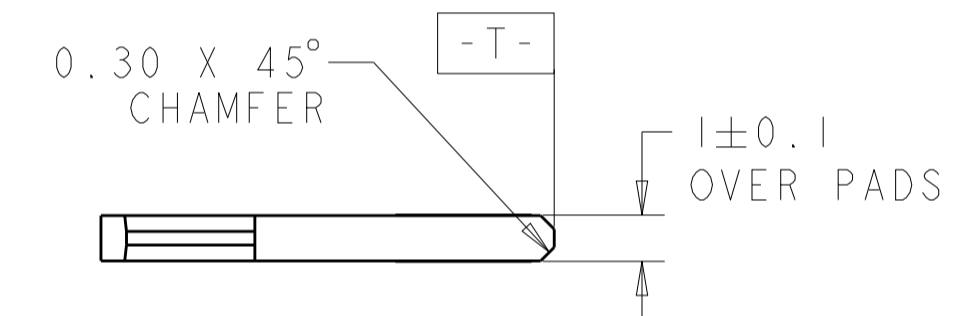
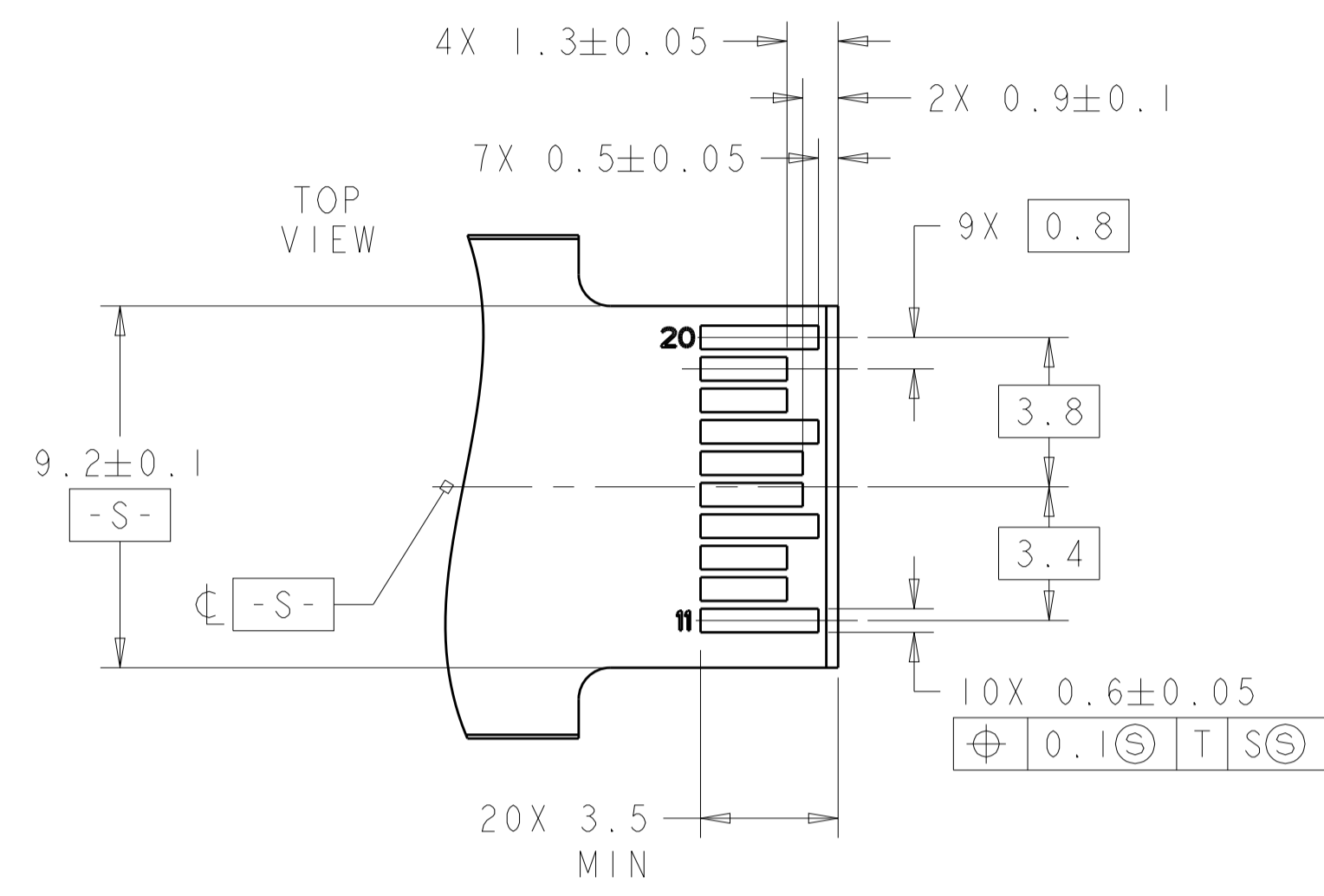
THE HOLE SIZE IS RECOMMENDED ON THE PAGE 4 (BOTTOM OF FIGURE2 FOR CAGE ASSEMBLY) OF THE TE DOCUMENT 114-13103
 $\varnothing 0.1 \text{ (M)} | \text{ZS}$
 18 HOLES



SFP HOST BOARD
 MECHANICAL LAYOUT
 SCALE 8:1

THIS DRAWING IS A CONTROLLED DOCUMENT.		DWN: R. HENRY 11APR03	
DIMENSIONS: mm		CHK: J. KOPPENHEFFER 23JAN04	
TOLERANCES UNLESS OTHERWISE SPECIFIED:		APVD: M. WALMSLEY 23JAN04	NAME: CAGE AND PT CONNECTOR ASSEMBLY, 2x1, PRESS FIT, LOW PROFILE, SFP
0 PLC ±	1 PLC ±0.1	PRODUCT SPEC: 108-2161	SIZE: A100779
2 PLC ±	3 PLC ±	APPLICATION SPEC: 114-13103	CAGE CODE: C=1658628
4 PLC ±	ANGLES ±	WEIGHT: -	RESTRICTED TO: -
MATERIAL: -	FINISH: -	Customer Drawing	SCALE: 6:1 SHEET 2 OF 3 REV H

LOC		DIST		REVISIONS			
ES	00	P	LTH	DESCRIPTION	DATE	DMN	APVD
		-		SEE SHEET 1	-	-	-



RECOMMENDED LAYOUT FOR
 MATING TRANSCEIVER PCB
 SCALE 6:1

THIS DRAWING IS A CONTROLLED DOCUMENT.		DMN R. HENRY 11APR03	TE Connectivity												
DIMENSIONS: mm		CHK J. KOPPENHEFFER 23JAN04													
TOLERANCES UNLESS OTHERWISE SPECIFIED:		APVD M. WALMSLEY 23JAN04	NAME CAGE AND PT CONNECTOR ASSEMBLY, 2x1, PRESS FIT, LOW PROFILE, SFP												
<table border="1"> <tr><td>0 PLC</td><td>±</td></tr> <tr><td>1 PLC</td><td>±0.1</td></tr> <tr><td>2 PLC</td><td>±</td></tr> <tr><td>3 PLC</td><td>±</td></tr> <tr><td>4 PLC</td><td>±</td></tr> <tr><td>ANGLES</td><td>±</td></tr> </table>		0 PLC	±	1 PLC	±0.1	2 PLC	±	3 PLC	±	4 PLC	±	ANGLES	±	PRODUCT SPEC 108-2161	SIZE CAGE CODE DRAWING NO RESTRICTED TO
0 PLC	±														
1 PLC	±0.1														
2 PLC	±														
3 PLC	±														
4 PLC	±														
ANGLES	±														
MATERIAL FINISH		APPLICATION SPEC 114-13103	A100779C=1658628												
		WEIGHT	SCALE 1:1 SHEET 3 OF 3 REV H												
		Customer Drawing													

单击下面可查看定价，库存，交付和生命周期等信息

[>>TE Connectivity\(泰科\)](#)