

DO NOT SCALE

METRIC

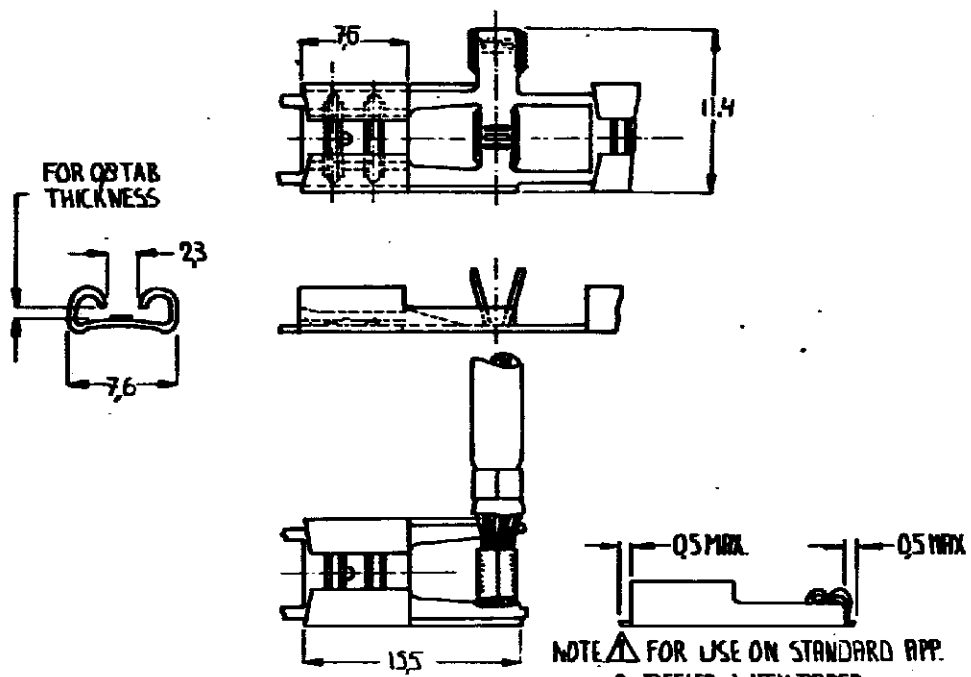
THIRD ANGLE PROJECTION



DIMENSIONS IN mm

REVISIONS

LTR	DESCRIPTION	DATE	DWN	APVD
D1	REV PER ECO-09-022178	29SEP09	KK	AEG



4 OBSOLETE PARTS: OBSOLETE CIS
STREAMLINING PER D.RENAUD/D.SINISI

NOTE: 1. FOR USE ON STANDARD APP.
2. REELED WITH PAPER
3. FOR USE ON MINIATURE APP
AMP. MOTOR APPLICATION

4 OBSOLETE

FINISH	MATERIAL		PART NUMBER
TIN PLATED	PH BRONZE	▲	160861_8
UNPLATED	TH. BRONZE	▲	160861_7
TIN PLATED	BRASS	▲	160861_6
UNPLATED	BRASS	▲	160861_5
TIN PLATED	PH BRONZE	▲	160861_4
UNPLATED	PH BRONZE	▲	160861_3
TIN PLATED	BRASS	▲	160861_2
UNPLATED	BRASS	▲	160861_1

<p>CUSTOMER DRAWING</p> <p>FOR REFERENCE ONLY WILL NOT BE UPDATED</p>			AMP-HOLLAND B V 's-Hertogenbosch, The Netherlands	
	THIS DRAWING IS UNPUB. IS REC.		RELEASED FOR PUBLICATION	
COPYRIGHT 1984 BY AMP-HOLLAND B V ALL INTERNATIONAL RIGHTS RESERVED AMP PRODUCTS MAY BE COVERED BY U.S. AND FOREIGN PATENTS AND/OR PATENTS PENDING				
WIRE RANGE 0.5-1.0 mm ²	NAME 63mm SERIES FLAG FASTENER RECEPTACLE		REV. DATE	
			D M .	
WSA RANGE 1.4-2.3 DIA.	SIZE A4	SHEET 1 * 1	DRAWING NO C-160861-E	
APP KK	DATE 29/09/09		REV. LTR D1	

单击下面可查看定价，库存，交付和生命周期等信息

[>>TE Connectivity\(泰科\)](#)