

4

3

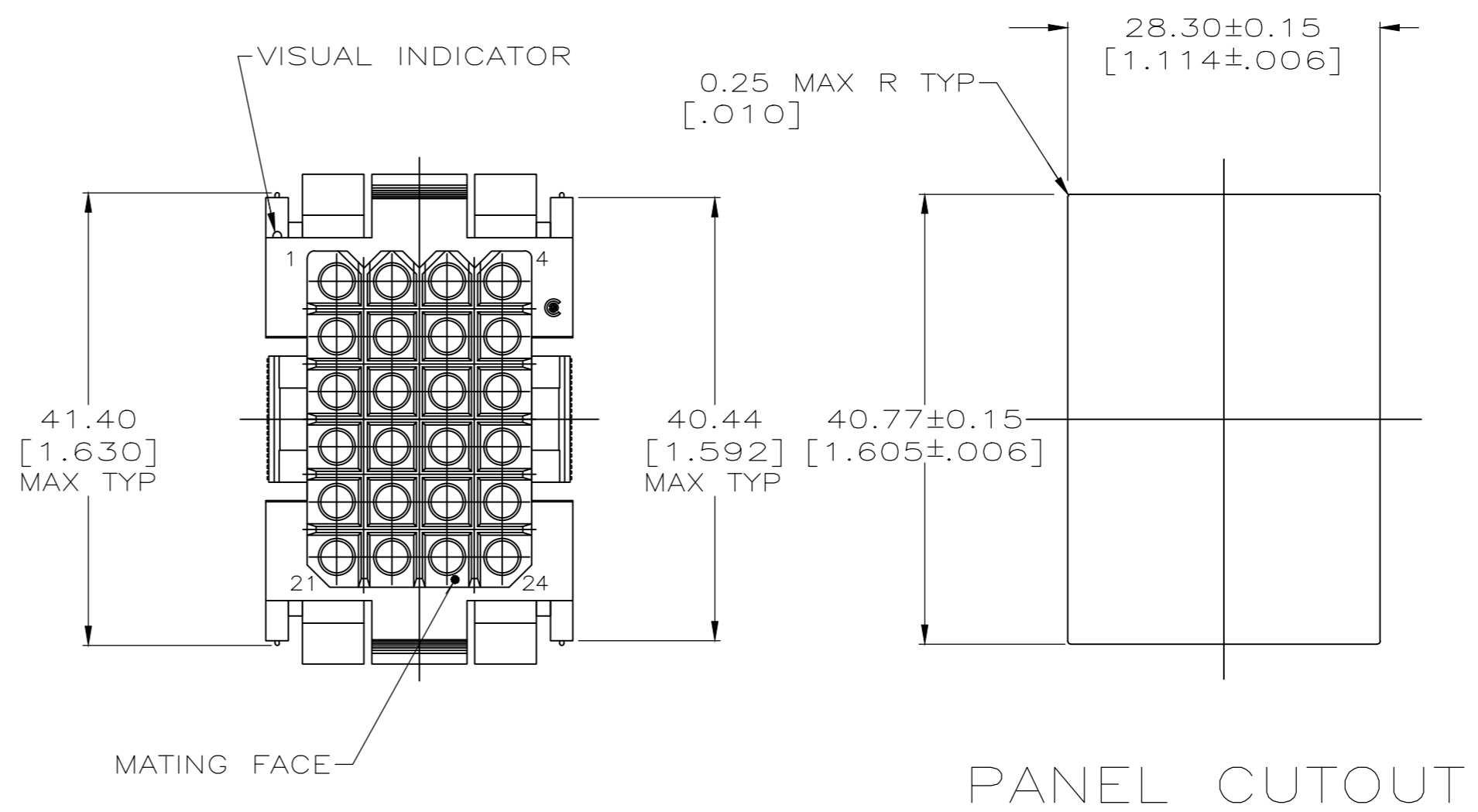
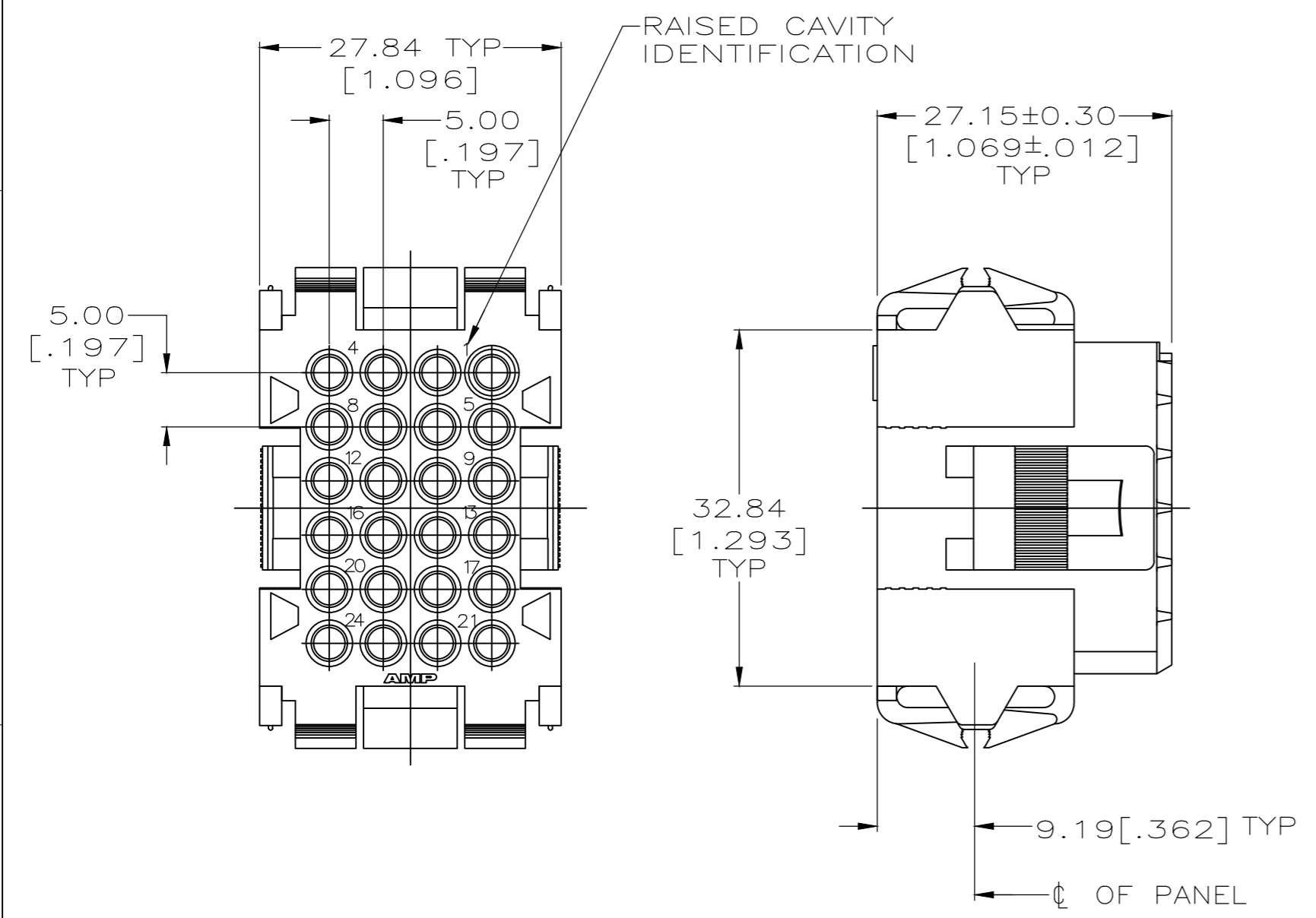
MOD

2

1

THIS DRAWING IS UNPUBLISHED. RELEASED FOR PUBLICATION
 © COPYRIGHT - TE Connectivity Ltd. ALL RIGHTS RESERVED.

REVISIONS					
P	LTR	DESCRIPTION	DATE	DWN	APVD
	P	REVISED PER EC 0020-250-94	24MAR1994	-	AT
	R	REVISED PER ECO-20-002227	19FEB2020	RK	MZ



1. PANEL RETENTION MECHANISM ACCOMMODATES PANEL THICKNESSES FROM 0.76[.030] TO 2.29[.090].

2 HOUSING MATERIAL: PA66, BLACK, UL 94 V-0 RATED

207304-1
PART NUMBER

THIS DRAWING IS A CONTROLLED DOCUMENT.		DWN W.LENKER 08/26/92	TE Connectivity		
DIMENSIONS: mm [INCHES]		CHK R.STONE 8-31-92			
TOLERANCES UNLESS OTHERWISE SPECIFIED:		APVD A.TRAVIS 9-2-92	NAME HOUSING, PLUG, 24 POSITION, METRIMATE		
0 PLC ± - 1 PLC ± - 2 PLC ± 0.25 [.010] 3 PLC ± - 4 PLC ± - ANGLES ± -		PRODUCT SPEC 108-10033	SIZE A2	CAGE CODE 00779	DRAWING NO C-207304
MATERIAL 2		FINISH -	RESTRICTED TO -	CUSTOMER DRAWING	
		WEIGHT -	SCALE 2:1	SHEET 1 of 1	REV R

207304
B

A

单击下面可查看定价，库存，交付和生命周期等信息

[>>TE Connectivity\(泰科\)](#)