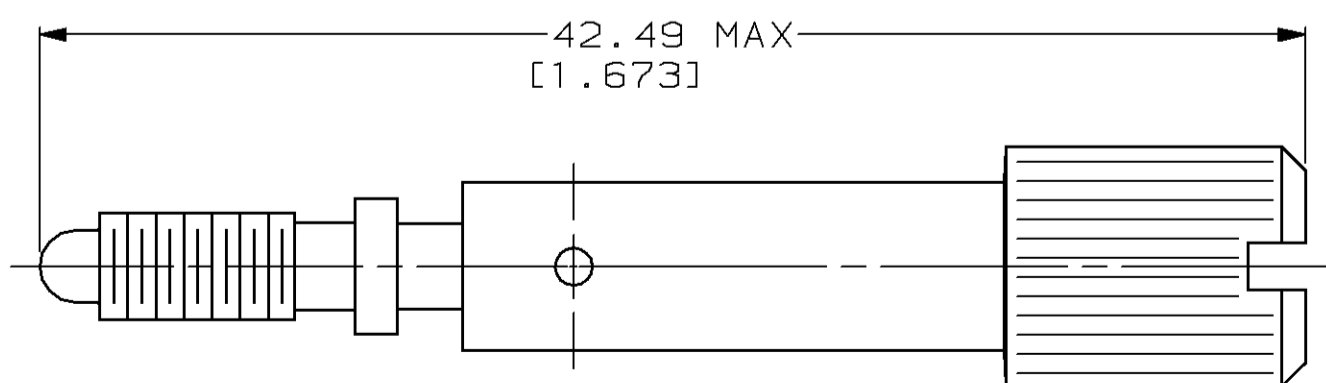
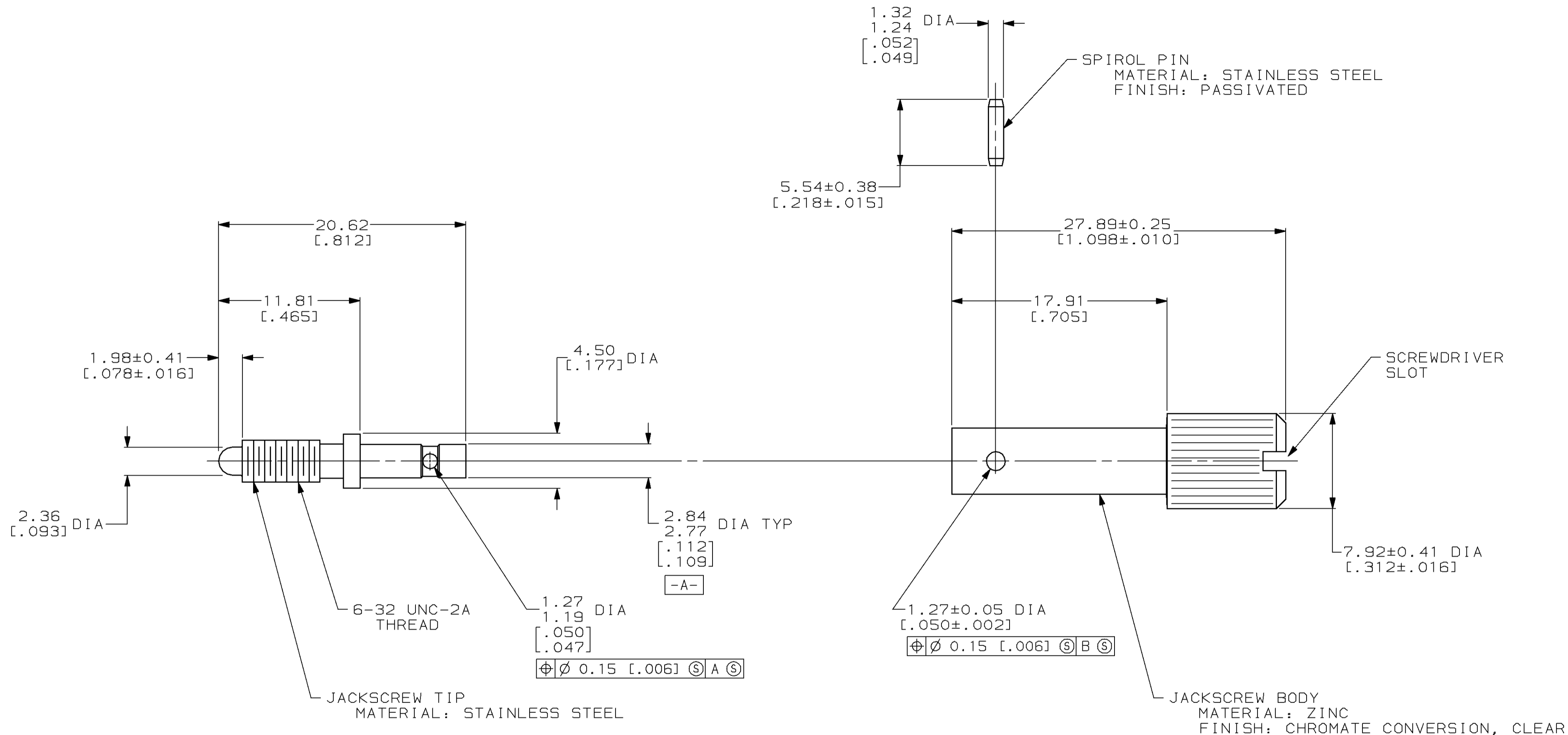


THIS DRAWING IS UNPUBLISHED. RELEASED FOR PUBLICATION  
 BY AMP INCORPORATED. ALL RIGHTS RESERVED.

LOC	DIST	REVISIONS			
P	LTR	DESCRIPTION	DATE	DWN	APVD
BD	36	H	REDRAWN PER EC 0020-1346-95	11 DEC 95	-



ASSEMBLED VIEW

201087-1  
PART NUMBER

THIS DRAWING IS A CONTROLLED DOCUMENT FOR AMP INCORPORATED. IT IS SUBJECT TO CHANGE AND THE CONTROLLING ENGINEERING ORGANIZATION SHOULD BE CONTACTED FOR THE LATEST REVISION.		DWN C. DORWART 11 DEC 95	AMP Incorporated Harrisburg, PA 17105-3608
		CHK R. STONE 29 FEB 96	
DIMENSIONS: mm [INCHES]		APVD G. STEINHAUER 07 MAR 96	NAME MALE JACKSCREW KIT, UNASSEMBLED, SHORT, M SERIES
TOLERANCES UNLESS OTHERWISE SPECIFIED:		PRODUCT SPEC -	SIZE A2
0 PLC ±-		APPLICATION SPEC -	CAGE CODE 00779
1 PLC ±-		WEIGHT -	DRAWING NO C-201087
2 PLC ±0.13 [.005]		CUSTOMER DRAWING	SCALE 4:1
3 PLC ±-			SHEET 1 OF 1
4 PLC ±-			REV H
ANGLES ±-			
FINISH -			

单击下面可查看定价，库存，交付和生命周期等信息

[>>TE Connectivity\(泰科\)](#)