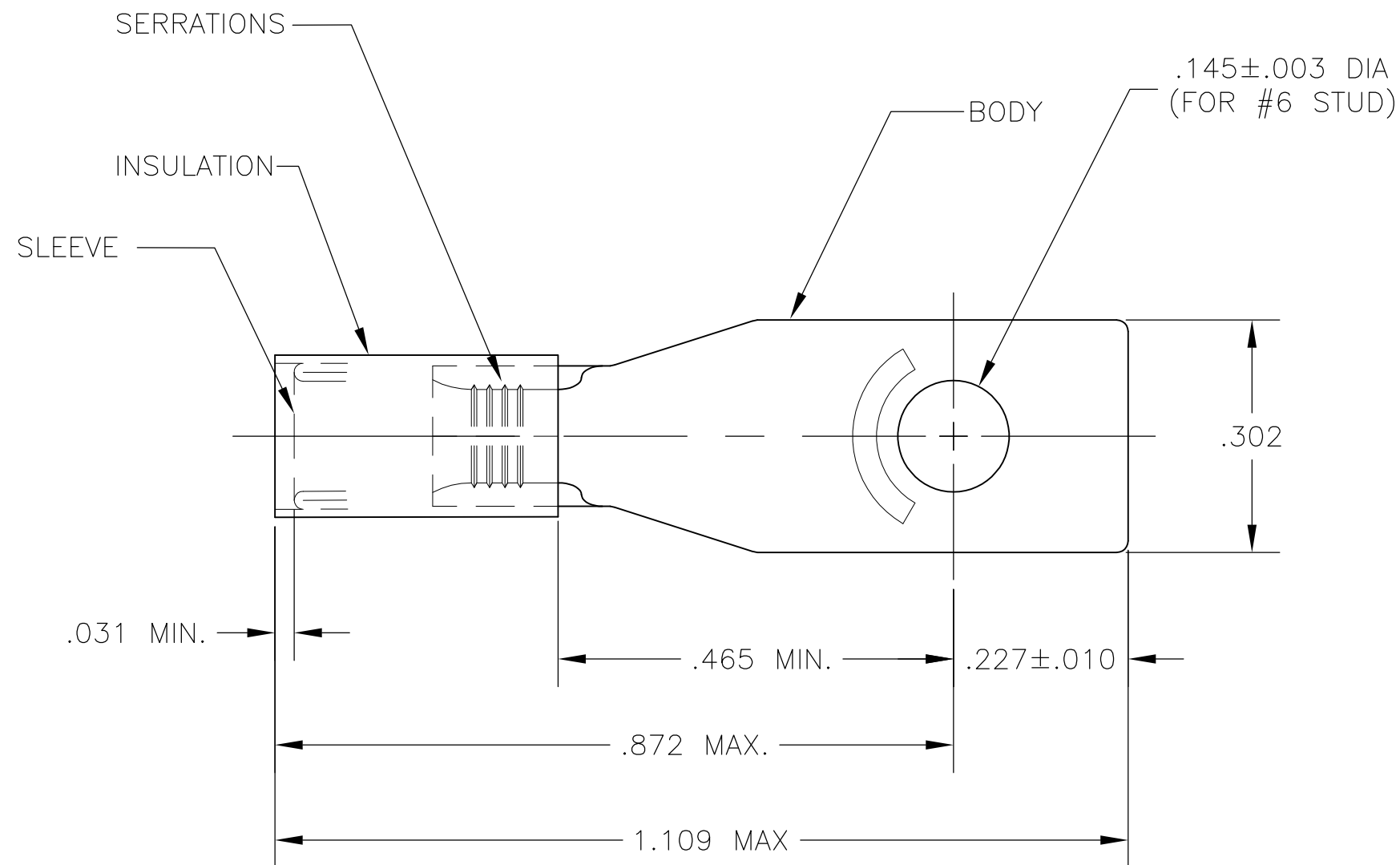


THIS DRAWING IS UNPUBLISHED. RELEASED FOR PUBLICATION
 © COPYRIGHT BY TYCO ELECTRONICS CORPORATION. ALL INTERNATIONAL RIGHTS RESERVED.

LOC	DIST	REVISIONS					
G	02	P	LTR	DESCRIPTION	DATE	DWN	APVD
			J2	REVISED PER ECR-09-025663	04DEC09	JR	TM



- 1 WIRE INSULATION DIA = .105 TO .140
- 2 TONGUE MATERIAL THK. = .031±.002
- 3 MARKING 22-18 FOR MILITARY COMMERCIAL RANGE 22-16
- △4 FINISH: TIN PLATE (MIL-T-10727) .000100 MIN THK.
- △5 INSULATION PVC-RED
- △6 INSULATION NYLON MIL-M-20693 TYPE I RED
- △7 SUPERSEDED BY 2-327938-1
- △8 MEETS MS17143-4, CLASS 1 & 2
- △9 MEETS MS17143-4, CLASS 2

OBSOLETE	△4	△6	100	ON TAPE, SM BOX	2-327938-5	
OBSOLETE	△4	△6	1000	ON TAPE, LG BOX	2-327938-4	
	△7	△4	△6	5000	ON TAPE, REEL	△9 2-327938-2
		△4	△6	-	LOOSE PIECE	△8 2-327938-1
OBSOLETE	△4	△5	-	LOOSE PIECE	327938	
		BODY FINISH	INSUL. MATL.	QTY	DESCRIPTION	PART NO

THIS DRAWING IS A CONTROLLED DOCUMENT.		DWN RAGHAVENDRA 09JUN08	Tyco Electronics Corporation Harrisburg, PA 17105-3608	
DIMENSIONS: INCHES		CHK T MICHIELUTTI 09JUN08	NAME	
TOLERANCES UNLESS OTHERWISE SPECIFIED:		APVD T MICHIELUTTI 09JUN08	PRODUCT SPEC	
0 PLC ± - 1 PLC ± - 2 PLC ± - 3 PLC ± .008 4 PLC ± - ANGLES ± -		APPLICATION SPEC		TERMINAL, PIDG, RECTANGULAR TONGUE WIRE SIZE : 22-16
MATERIAL SEE TABLE	FINISH SEE TEBLE	WEIGHT -	SIZE A3	CAGE CODE 00779
		DRAWING NO C-327938		RESTRICTED TO -
CUSTOMER DRAWING			SCALE 5:1	SHEET 1 OF 1
			REV J2	

单击下面可查看定价，库存，交付和生命周期等信息

[>>TE Connectivity\(泰科\)](#)