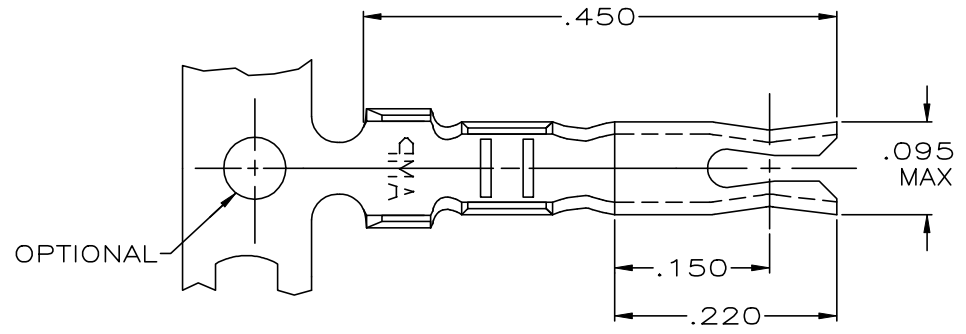


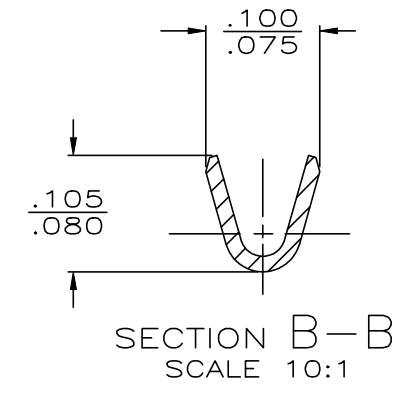
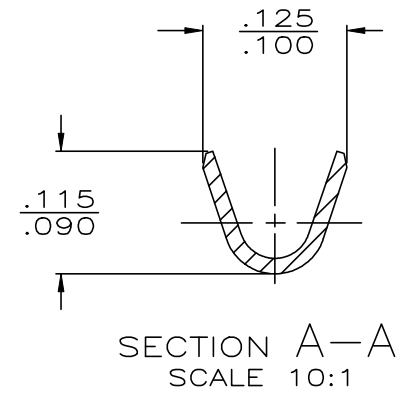
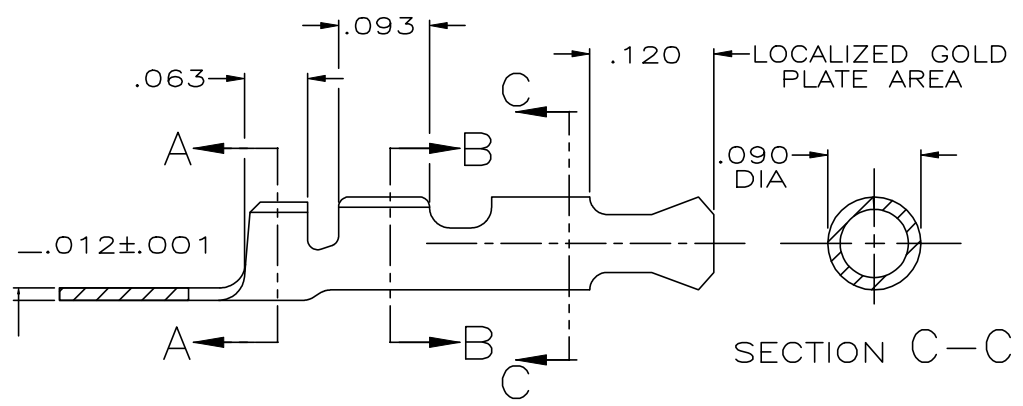
DRAWING MADE IN THIRD ANGLE PROJECTION

THIS DRAWING IS UNPUBLISHED. RELEASED FOR PUBLICATION .19
 © COPYRIGHT 19 BY AMP INCORPORATED. ALL INTERNATIONAL RIGHTS RESERVED.

LOC		DIST		REVISIONS				DATE	APPD
P	F	ZONE	LTR	DESCRIPTION					
AF	50			E1	REVISED PER ECR-19-017644			11DEC2019	PC/MK



- 1 CONTINUOUS STRIP ON REELS.
- 2 .000030 MIN GOLD PER MIL-G-45204 IN LOCALIZED GOLD PL AREA, GOLD FLASH ON REMAINDER OVER .000050 MIN NICKEL PER QQ-N-290.
- 3 .000080 MIN TIN PL PER MIL-T-10727.



OBSOLETE	3	.048-.071	24-20 AWG	60885-2
	2	DIA		60885-1
FINISH	INSULATION RANGE	WIRE RANGE	PART NO	
DO NOT SCALE PRINT. UNLESS SPECIFIED DIMENSIONS IN INCHES TOLERANCES ON: 2 PLC DEC ± - 3 PLC DEC ± .015 ANGLES ± -	DR 2/4/91 P FORTNEY	TE Connectivity		
	CHK 2/4/91 JR RUTH			
	MATERIAL	APPD 2/4/91 G YETTER	NAME	
	#4 HARD PHOS BRONZE	APPD 2/4/91 R WEAVILL	RECEPTACLE, PIN, .055 DIA	
FINISH	APPLICATION SPEC	SIZE	CAGE CODE	DRAWING NO
SEE TABLE	-	B	00779	60885
	WEIGHT -	SCALE	SHEET	
		8:1	1 OF 1	

AMP 1470-15 REV 11-89 Translated 021114.155316 (YYMDD.HHMMSS) from ComputerVision, Inc., Medusa Revision 12.2.5T
 11DEC2019 3:31pm TE340342 <US128A>DEP12122>DWG2122>U.PIN-RECP

CUSTOMER DRAWING

单击下面可查看定价，库存，交付和生命周期等信息

[>>TE Connectivity\(泰科\)](#)