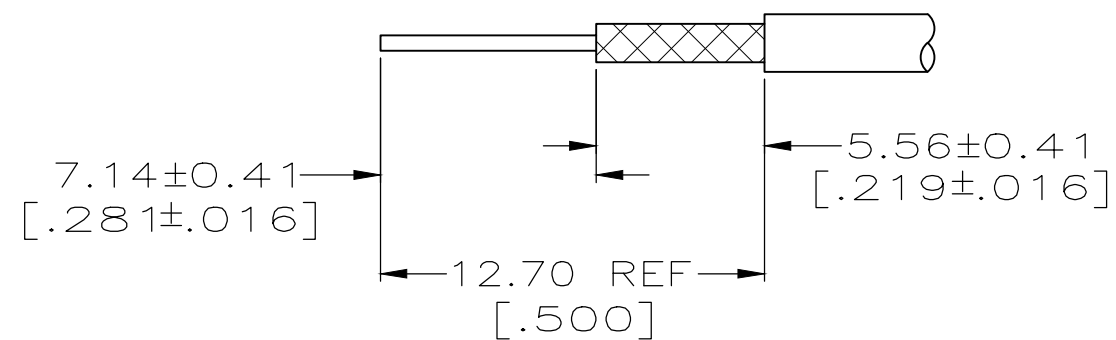
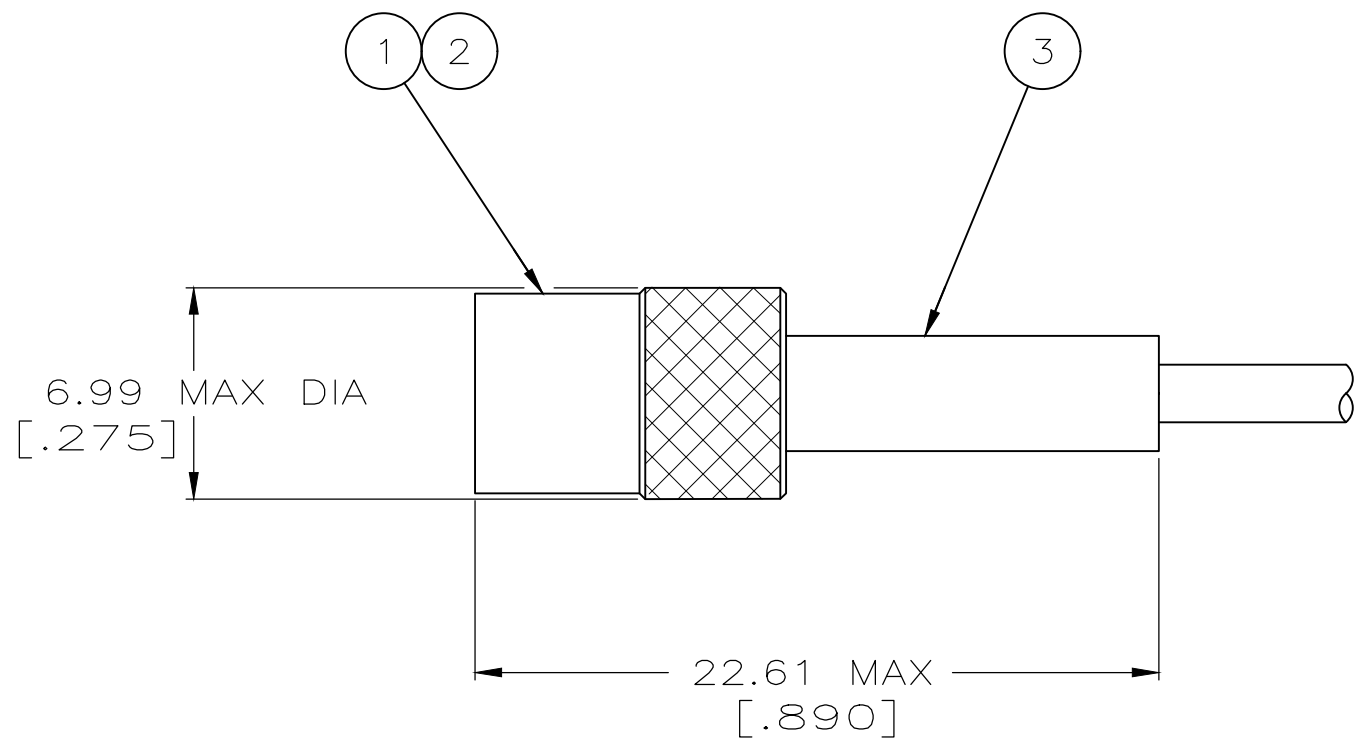


| REVISIONS |     |                           |           |     |      |
|-----------|-----|---------------------------|-----------|-----|------|
| P         | LTR | DESCRIPTION               | DATE      | DWN | APVD |
|           | P2  | REVISED PER ECR-20-013876 | 29SEP2020 | ED  | RS   |

- ① RG-179A/U,187/U,174/U,188/U,21-596 & 21-598
- ② RG-161/U,178/U,178A/U & 196/U
- ③ RG-179A/U,187/U,174/U & 188/U
- 4. SEE 408-1771
- 5. PARTS ARE PACKAGED UNASSEMBLED



RECOMMENDED STRIP LENGTH

|                    |                   |                    |                             |                      |             |
|--------------------|-------------------|--------------------|-----------------------------|----------------------|-------------|
| ②                  | 69188-1           | 1-329067-1         | 1-328695-3                  | 330350-2             | 2-330311-7  |
| ③                  | 58500-1 & 91911-2 | 1-329038-3         | 1-328695-3                  | 330350-2             | 2-330311-6  |
| ③                  | 58500-1 & 91911-2 | 329038             | 1-328695-2                  | 330350               | 2-330311-4  |
| ②                  | 69188-1           | 329067             | 1-328695-2                  | 330350-1             | 2-330311-3  |
| ②                  | 69188-1           | 329067             | 328695                      | 330350               | 2-330311-2  |
| ①                  | 58500-1 & 91911-2 | 2087963-2          | 328695                      | 330350               | 2-330311-1  |
| FOR USE WITH CABLE | CRIMPING TOOL     | ③ FERRULE<br>QTY=1 | ② RETAINING COLLAR<br>QTY=1 | ① PLUG ASSY<br>QTY=1 | PART NUMBER |

THIS DRAWING IS A CONTROLLED DOCUMENT.

| DIMENSIONS:<br>INCHES | TOLERANCES UNLESS<br>OTHERWISE SPECIFIED: |
|-----------------------|---|
|                       | 0 PLC ± -                                 |
|                       | 1 PLC ± -                                 |
|                       | 2 PLC ± -                                 |
|                       | 3 PLC ± -                                 |
|                       | 4 PLC ± -                                 |
|                       | ANGLES ± -                                |
|                       | FINISH ± -                                |

MATERIAL - FINISH -

|                  |           |          |
|------------------|-----------|----------|
| DWN              | J.DAVIS   | 01/26/93 |
| CHK              | G.MICHAEL | 01/29/93 |
| APVD             | G.MICHAEL | 1-29-93  |
| PRODUCT SPEC     | -         |          |
| APPLICATION SPEC | -         |          |
| WEIGHT           | 0.000000  |          |



|      |           |            |               |                                |  |
|------|-----------|------------|---------------|--------------------------------|--|
| NAME |           |            |               | CONN,COAX,RF<br>PLUG,MIN THD'D |  |
| SIZE | CAGE CODE | DRAWING NO | RESTRICTED TO |                                |  |
| A3   | 00779     | C-330311   | -             |                                |  |

CUSTOMER DRAWING SCALE 4:1 SHEET 1 OF 1 REV P2

单击下面可查看定价，库存，交付和生命周期等信息

[>>TE Connectivity\(泰科\)](#)