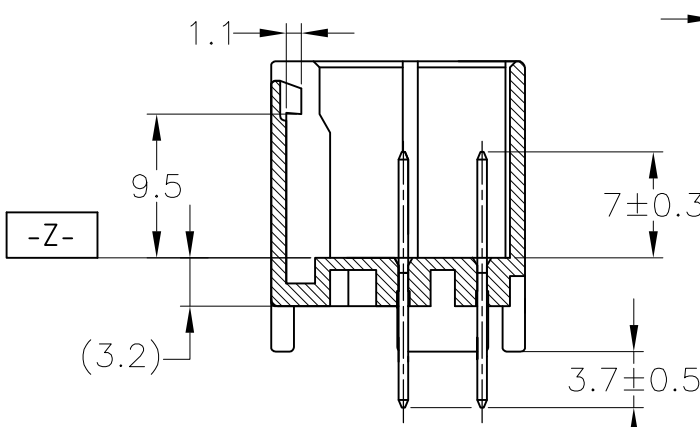
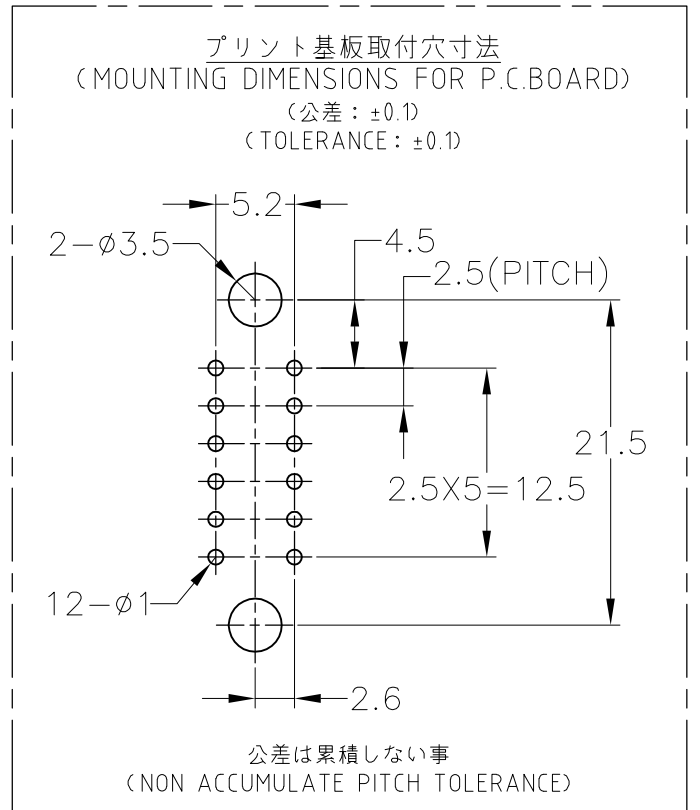
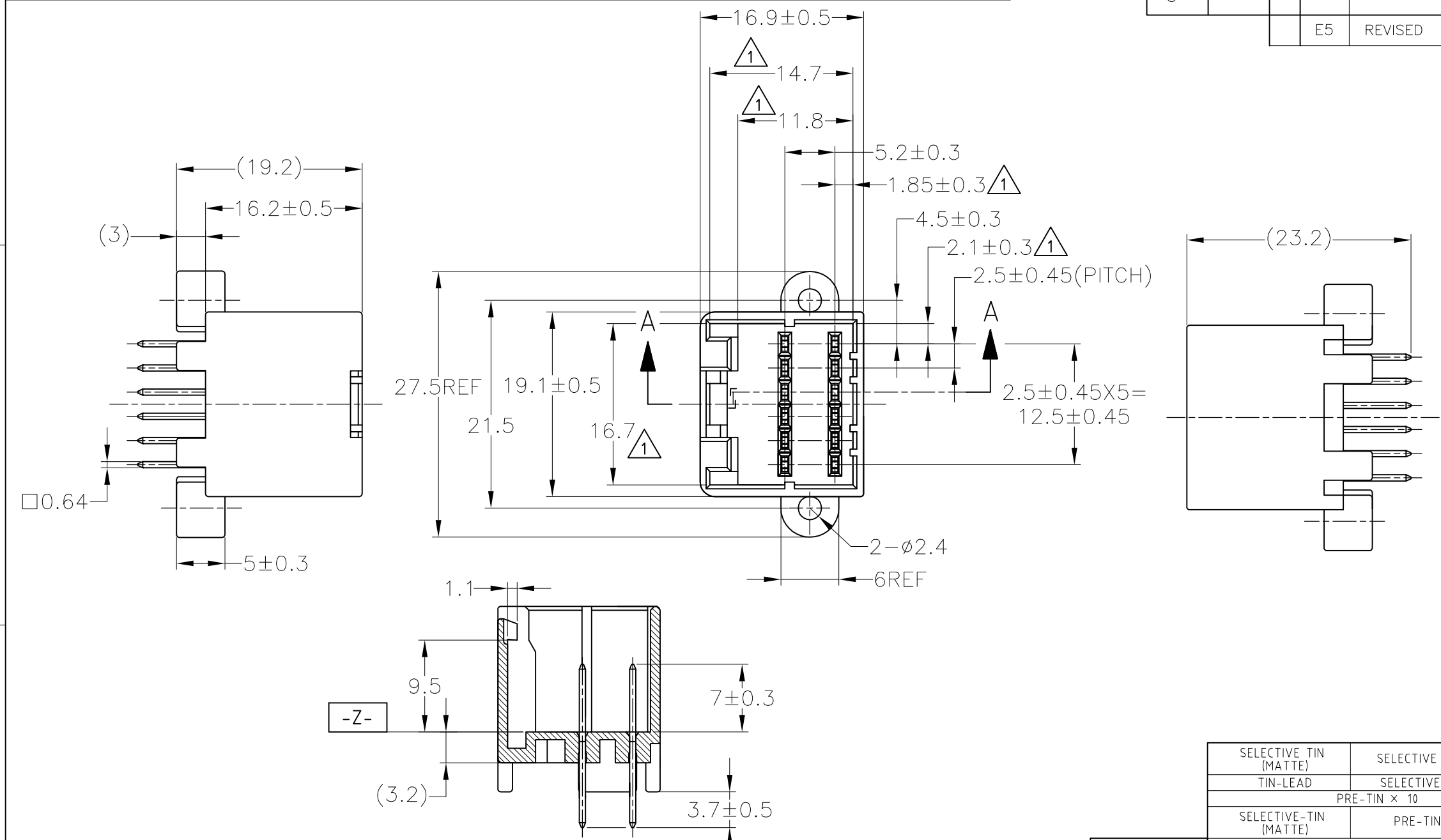
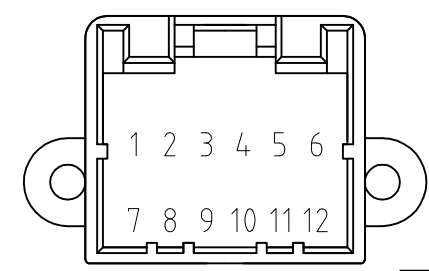


THIS DRAWING IS UNPUBLISHED. RELEASED FOR PUBLICATION
 © COPYRIGHT - By - ALL RIGHTS RESERVED.

| LOC | DIST | REVISIONS | | | | | |
|-----|------|-----------|---------|---------------|---------|-----|------|
| J | - | P | LTR | DESCRIPTION | DATE | DWN | APVD |
| | | E5 | REVISED | ECR-15-005620 | 13APR15 | KF | RK |



- ① TO BE MEASURED WITHIN 2mm FROM [-Z-]
- 2. APPLICABLE P.C. BOARD THICKNESS: 1.6mm
- 3. THE MATING COUNTERPART PART NUMBER: 174045
- 4. RECOMMENDED MOUNTING SCREW: 3mm DIA, 6mm LENGTH TAPPING SCREW SPECIFIED IN JIS B1115, B1122 (TIGHTENING TORQUE: 0.8N-M MAX.)
- ⑤ CIRCUIT NUMBER



- ① [-Z-] 面より 2mm の範囲で測定
- 2. 適用プリント基板厚: 1.6mm
- 3. 嵌合相手ハウジング型番: 174045
- 4. 推奨取付ネジ: JIS B1115, B1122 タッピンネジ, ナベ 2種
呼び径 3, 長さ 6mm (締付けトルク 0.8N-M 以下)
- ⑤ 回路番号: 上図参照のこと

TOLERANCE UNLESS OTHERWISE SPECIFIED: 一般公差

| | |
|--------------|---------|
| 0 < x ≤ 10 | : ±0.2 |
| 10 < x ≤ 30 | : ±0.25 |
| 30 < x ≤ 100 | : ±0.3 |
| ANGLE ; 角度 | : ±3° |

THIS DRAWING IS A CONTROLLED DOCUMENT.

| | |
|----------------------|---|
| DIMENSIONS: 単位: 耗 mm | TOLERANCES UNLESS OTHERWISE SPECIFIED: 一般公差 |
| 0 PLC ±- | 1 PLC ±- |
| 2 PLC ±- | 3 PLC ±- |
| 4 PLC ±- | ANGLES ±- |
| MATERIAL 材料 | FINISH 仕上 |
| HOUSING: PBT | CONTACT: BRASS |
| | SEE TABLE |

| | | | | |
|---|-----------------------------|------|------------------------------------|------------------|
| SELECTIVE TIN (MATTE) | SELECTIVE GOLD x 12 | 1~12 | BLACK 黒色 | 5174973-1 |
| TIN-LEAD | SELECTIVE GOLD x 2 | 5,6 | BLACK 黒色 | 4-174973-2 |
| | PRE-TIN x 10 | | | |
| SELECTIVE-TIN (MATTE) | PRE-TIN x 12 | -- | GREEN 緑色 | 2-174973-4 |
| OBSOLETE SEE CUSTOMER DRAWING 2-174973-1 2-174973-1 | | | | |
| | PRE-TIN x 12 | -- | GREEN 緑色 | 174973-4 |
| SELECTIVE-TIN (MATTE) | SELECTIVE-TIN x 12 (BRIGHT) | -- | BLACK 黒色 | 174973-3 |
| | PRE-TIN x 12 | -- | BLACK 黒色 | 174973-2 |
| TIN-LEAD | SELECTIVE GOLD x 12 | 1~12 | BLACK 黒色 | 174973-1 |
| SOLDERING SIDE 半田付け部 | CONTACT SIDE 接触部側 | | △ GOLD PLATED CIRCUIT NO. 金めっき回路番号 | COLOR 色 |
| | CONTACT FINISH コンタクト仕上 | | | PART NUMBER 製品型番 |

| | | | | | |
|----------------------------|--|--------------|--------------|---------------|---------------|
| DWN T.SHINOHARA 16APR02 | TE Connectivity 040 SERIES MULTI-LOCK I/O CONN. 12Pos CAP HOUSING ASSY (VERTICAL TYPE) | | | | |
| CHK A.YAMAGUCHI 16APR02 | | | | | |
| APVD K.BETSUI 16APR02 | | | | | |
| PRODUCT SPEC 製品規格 108-5244 | | | | | |
| APPLICATION SPEC 取付適用規格 | NAME 名称 | SIZE | CAGE CODE | DRAWING NO 番号 | RESTRICTED TO |
| WEIGHT 4.2 g | A3 | 00779 | G-174973 | | |
| CUSTOMER DRAWING | | SCALE 尺度 2:1 | SHEET 1 OF 1 | REV E5 | |

单击下面可查看定价，库存，交付和生命周期等信息

[>>TE Connectivity\(泰科\)](#)