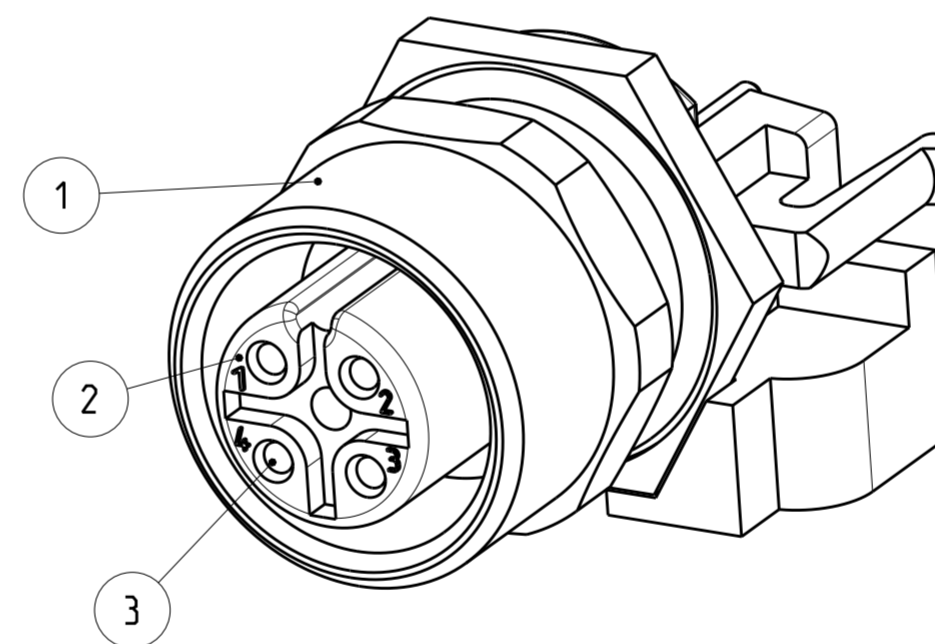
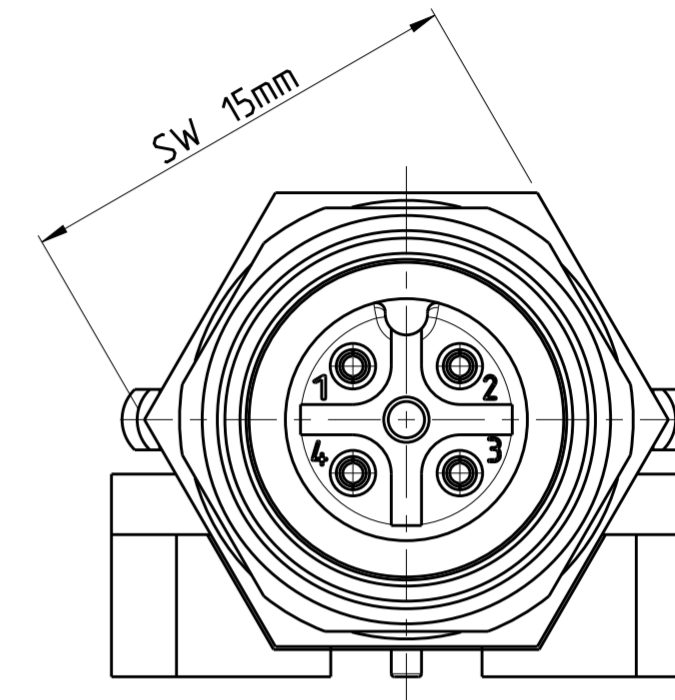
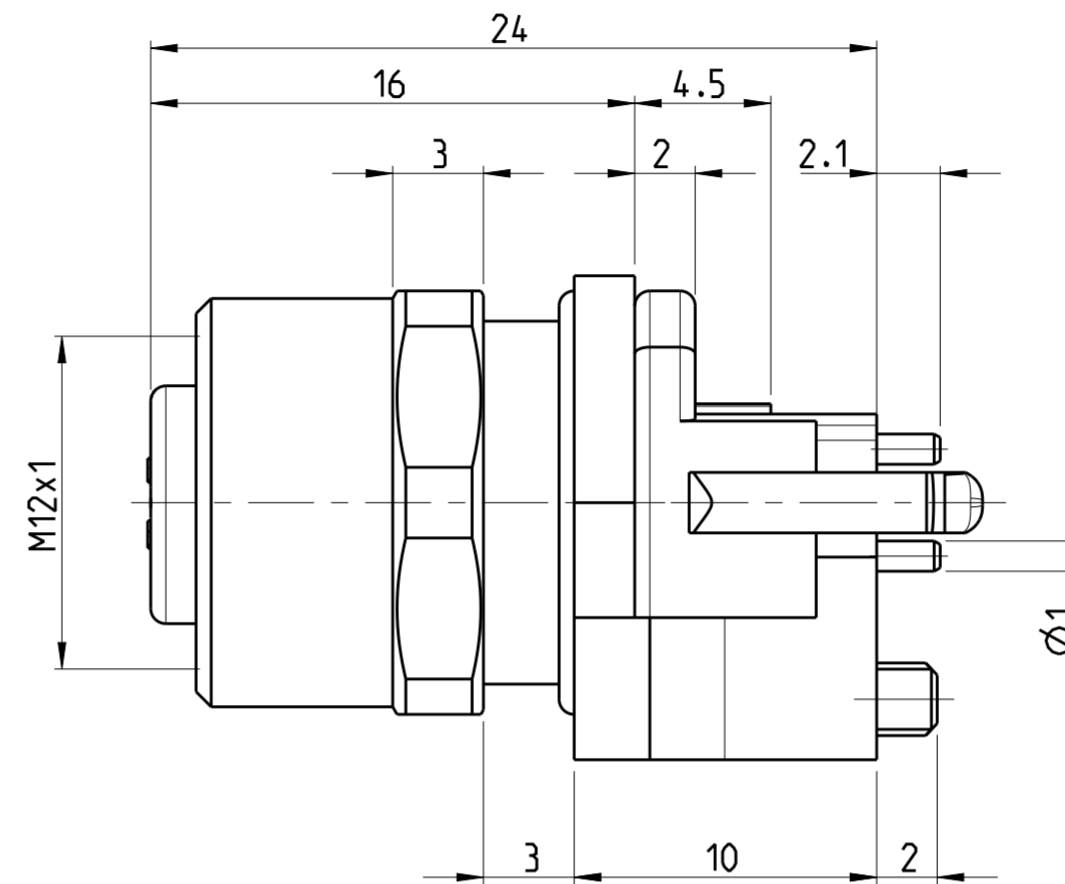
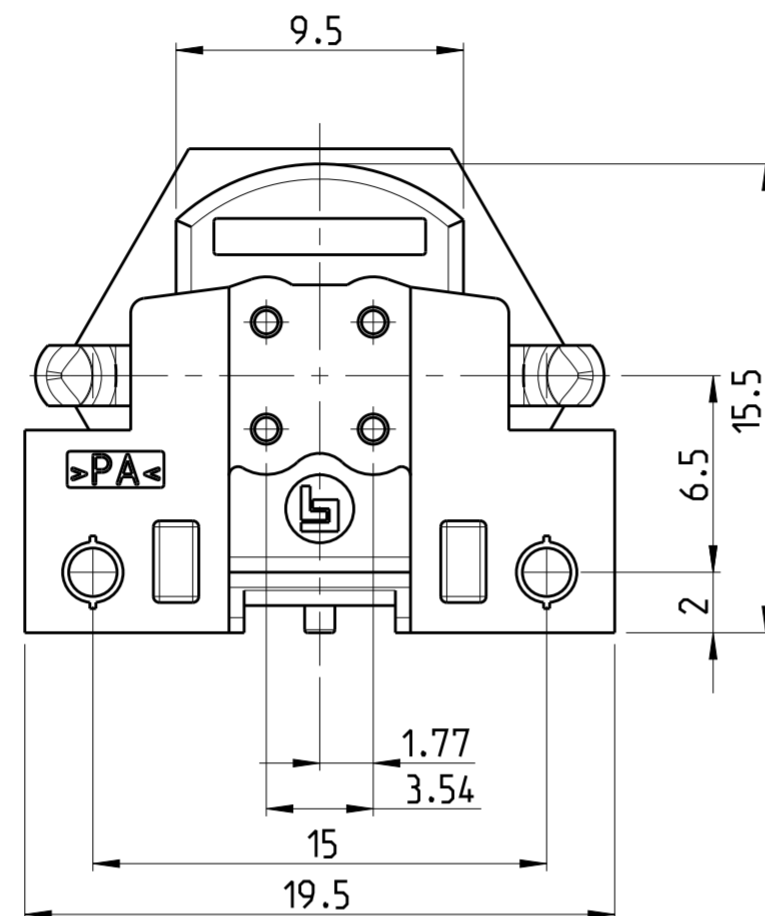


REVISIONS		DATE	DWN	APVD
ÄNDERUNGEN				
DESCRIPTION				
BESCHREIBUNG				
P	LTR			
	A	28NOV2014	CR	JK

⚠ MATERIAL: ITEM NO. 1: HOUSING - CuZn (BRASS, NICKEL PLATED)  
 ITEM NO. 2: CONTACT BODY - PA  
 ITEM NO. 3: CONTACT - CuSn (BRONZE)  
 CONTACT FINISH - Au (GOLD)

2 ALL DIMENSIONS ARE FOR NOMINAL REFERENCE ONLY UNLESS OTHERWISE STATED

TECHNICAL DATA	3-2172078-2	4-2172078-2	5-2172078-2
RATED VOLTAGE	250V	125V	60V
RATED IMPULSE VOLTAGE	2500V	1500V	800V
POLLUTION DEGREE	3	3	3
OVERVOLTAGE CATEGORY	II	II	II
MATERIAL GROUP	III	III	III
RATED CURRENT	4A	4A	2A
VOLUME RESISTIVITY	≤ 3mΩ	≤ 3mΩ	≤ 3mΩ
DEGREE OF PROTECTION	IP68	IP68	IP68
UPPER TEMPERATURE	+85 °C	+85 °C	+85 °C
LOWER TEMPERATURE	-40 °C	+40 °C	+40 °C

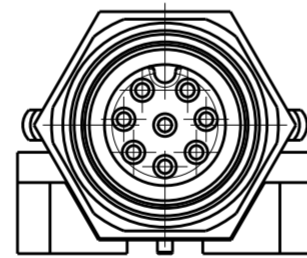
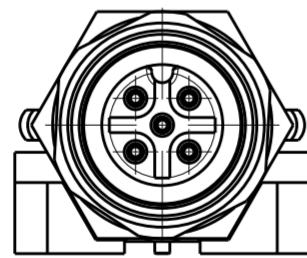
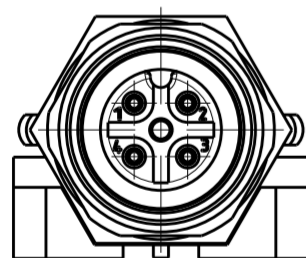


PIN ARRANGEMENT A-CODING (SCALE 2:1)

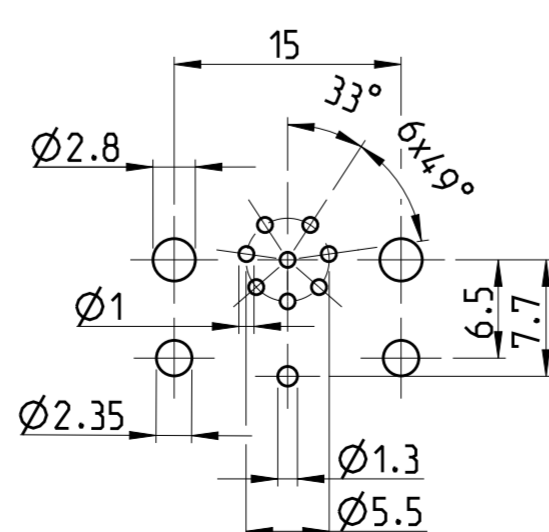
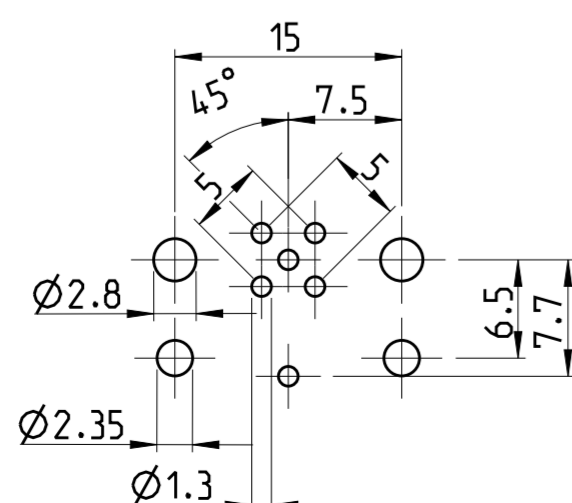
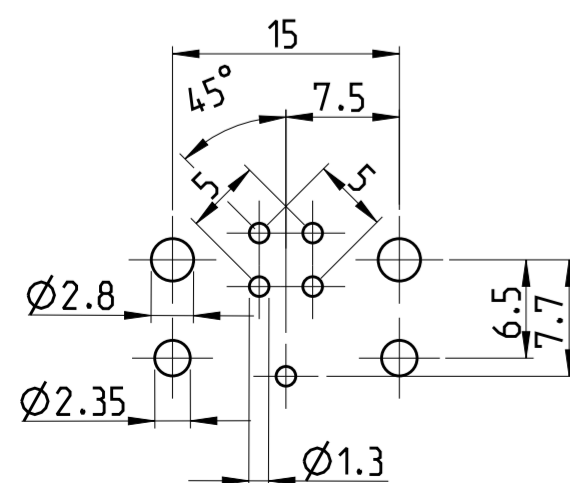
3-2172078-2

4-2172078-2

5-2172078-2



CONDUCTOR LAYOUT



SIZE ISO 14405 (E)

DIESE ZEICHNUNG IST EIN KONTROLLIERTES DOKUMENT. BEMASSUNGEN UND TOLERANZEN GEMAESS GPS (ISO STANDARDS).

THIS DRAWING IS A CONTROLLED DOCUMENT. DIMENSIONING AND TOLERANCING PER GPS (ISO STANDARDS).

DIMENSIONS: MASSE/WEITEN: IT/III	TOLERANCES UNLESS OTHERWISE SPECIFIED: ALLGEMEINTOLERANZEN
0 PLC ±	1 PLC ±
1 PLC ±	2 PLC ±
2 PLC ±	3 PLC ±
3 PLC ±	4 PLC ±
4 PLC ±	ANGLES/WINKEL ±
MATERIAL	FINISH/OBERFLÄCHE/FARBE

Customer Drawing

DWN	09AUG2014
CHK	09AUG2014
APVD	09AUG2014
NAME	M. BRUBAKER
PRODUCT SPEC	108-19483
APPLICATION SPEC	114-32127
WEIGHT	-
Customer Drawing	/KUNDENZEICHNUNG

⚠	8	5-2172078-2
⚠	5	4-2172078-2
⚠	4	3-2172078-2
MATERIAL	NUMBER OF POLES	TE-PART-NO.

STE TE Connectivity

M12 RECEPTACLE, PCB ASSEMBLY, STRAIGHT, SHIELDED CONNECTOR, A-CODED

SIZE	CAGE CODE	DRAWING NO. ZEICHNUNGS-NR.	RESTRICTED TO NUR FÜR
A2	00779	C-2172078	-
SCALE MASSSTAB	2:1	SHEET BLATT	1 OF 1
REV	A		

单击下面可查看定价，库存，交付和生命周期等信息

[>>TE Connectivity\(泰科\)](#)