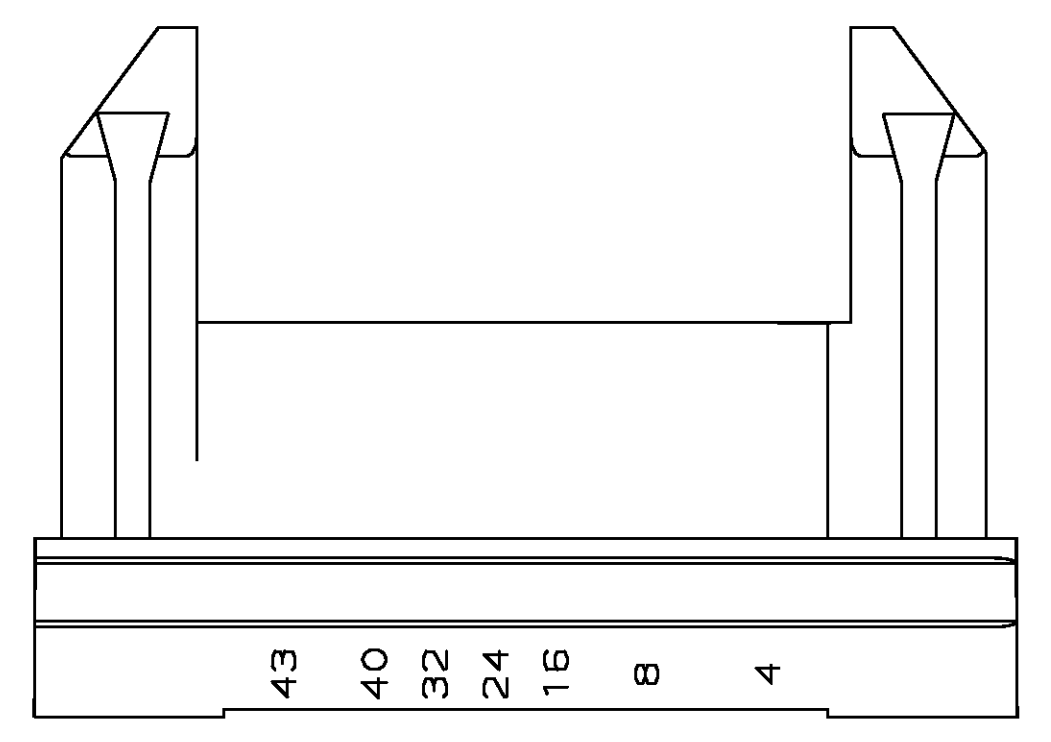
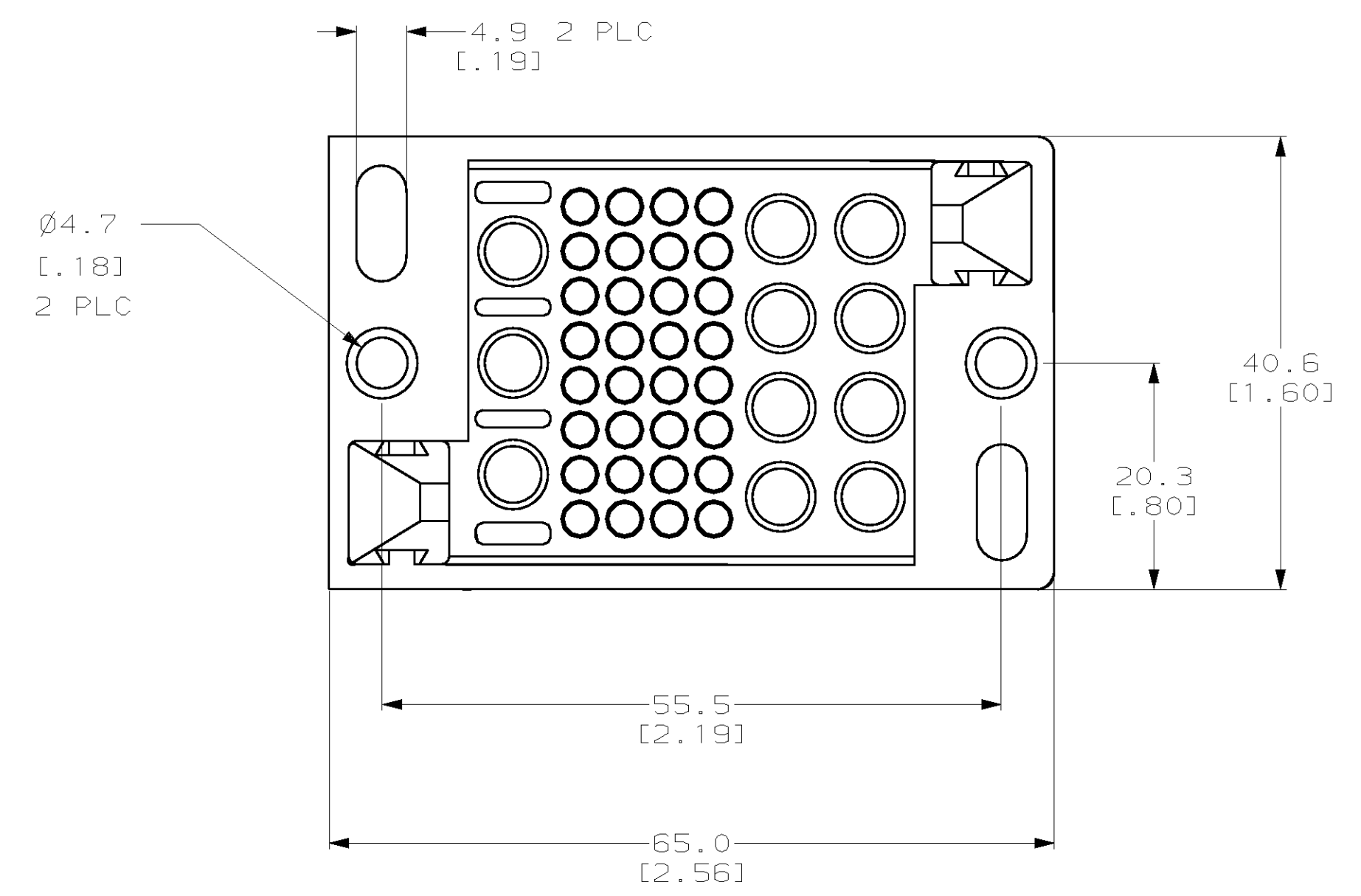
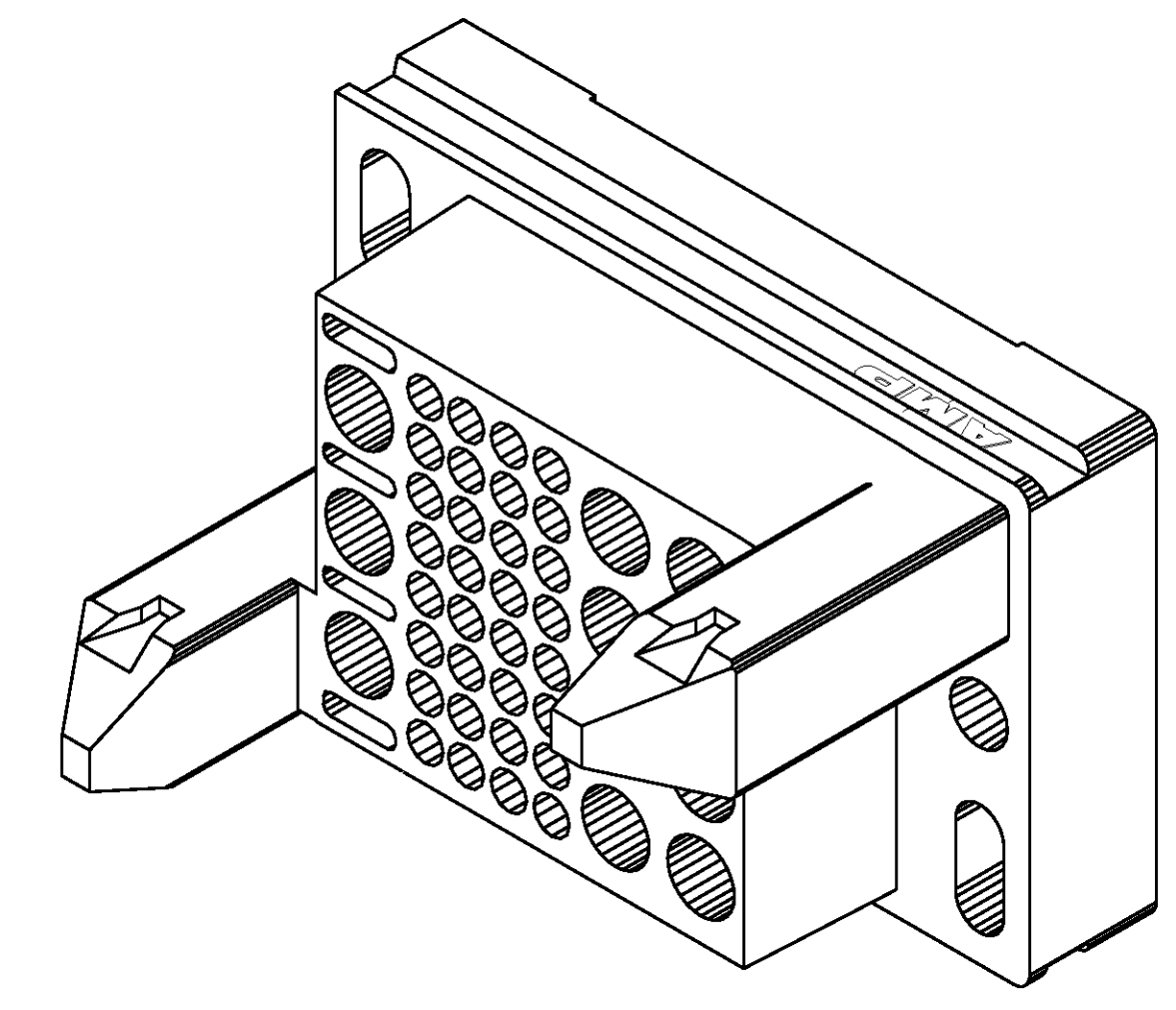
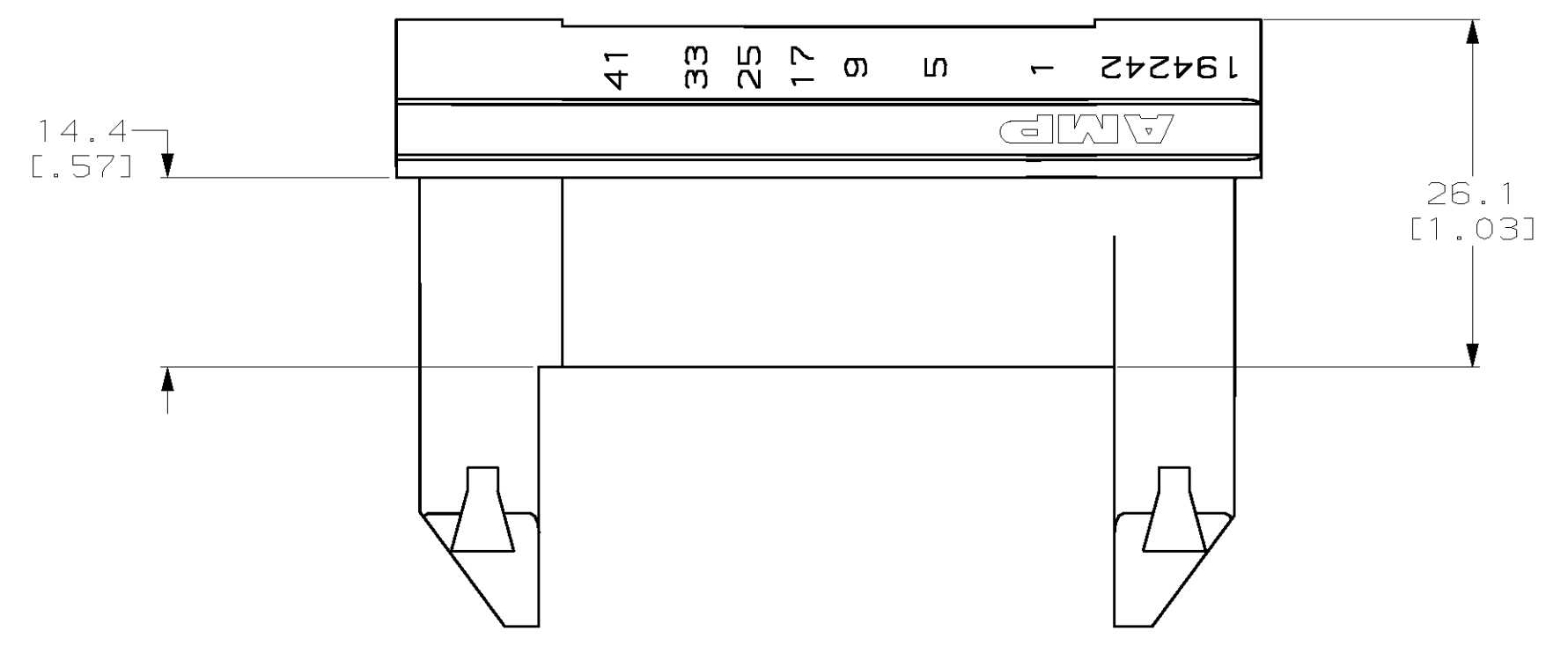


REVOLUTIONS		DATE	DWN	APVD
CH	11			
A	EC	OB20-0551-97	25/APR/97	RNP RAR
B	EC	OB20-0126-98	22/JAN/98	DAP RAR
C	EC	OB20-1216-98	09/SEP/98	RNP RAR

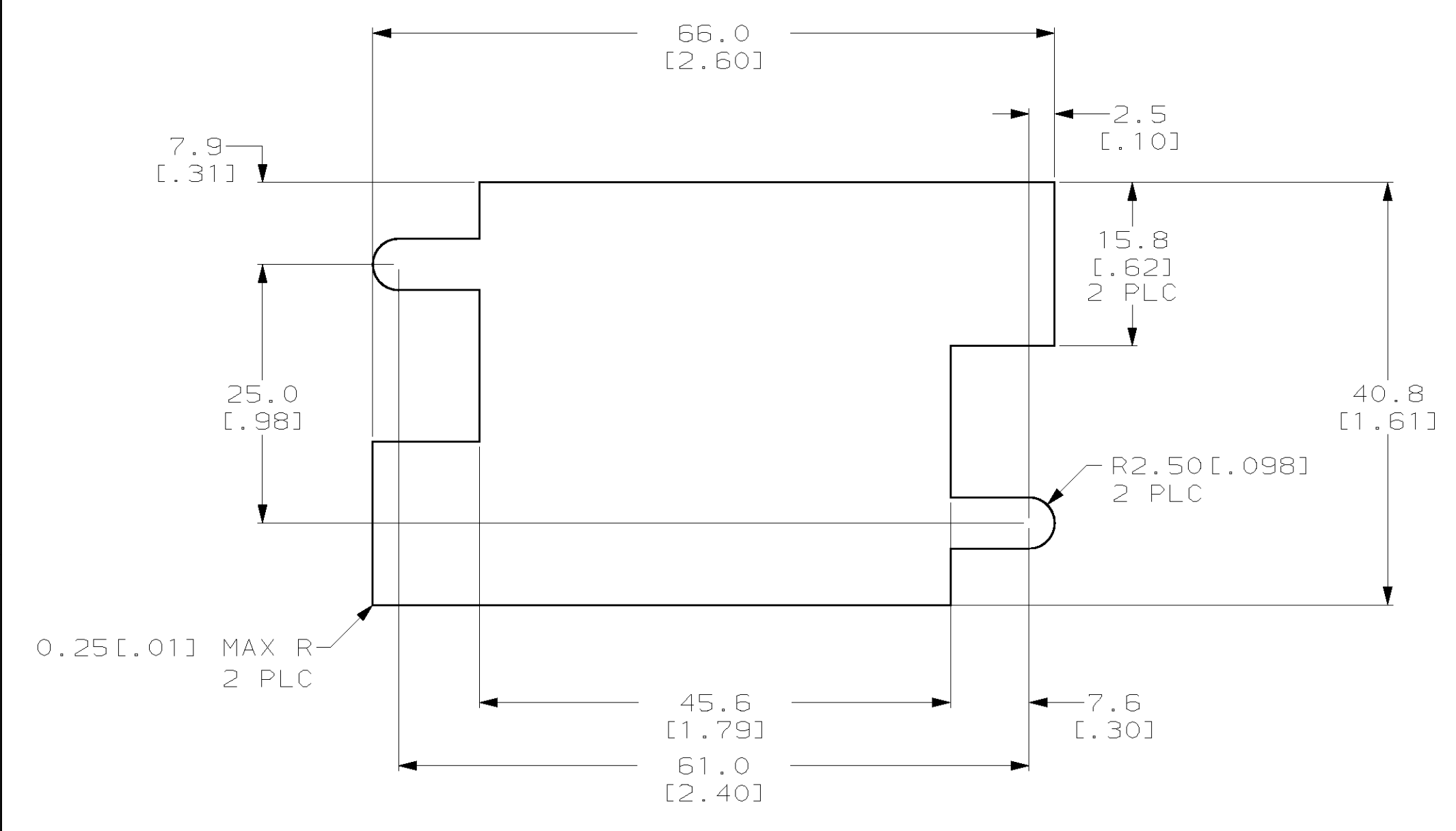
\* AMPPOWER is a trademark



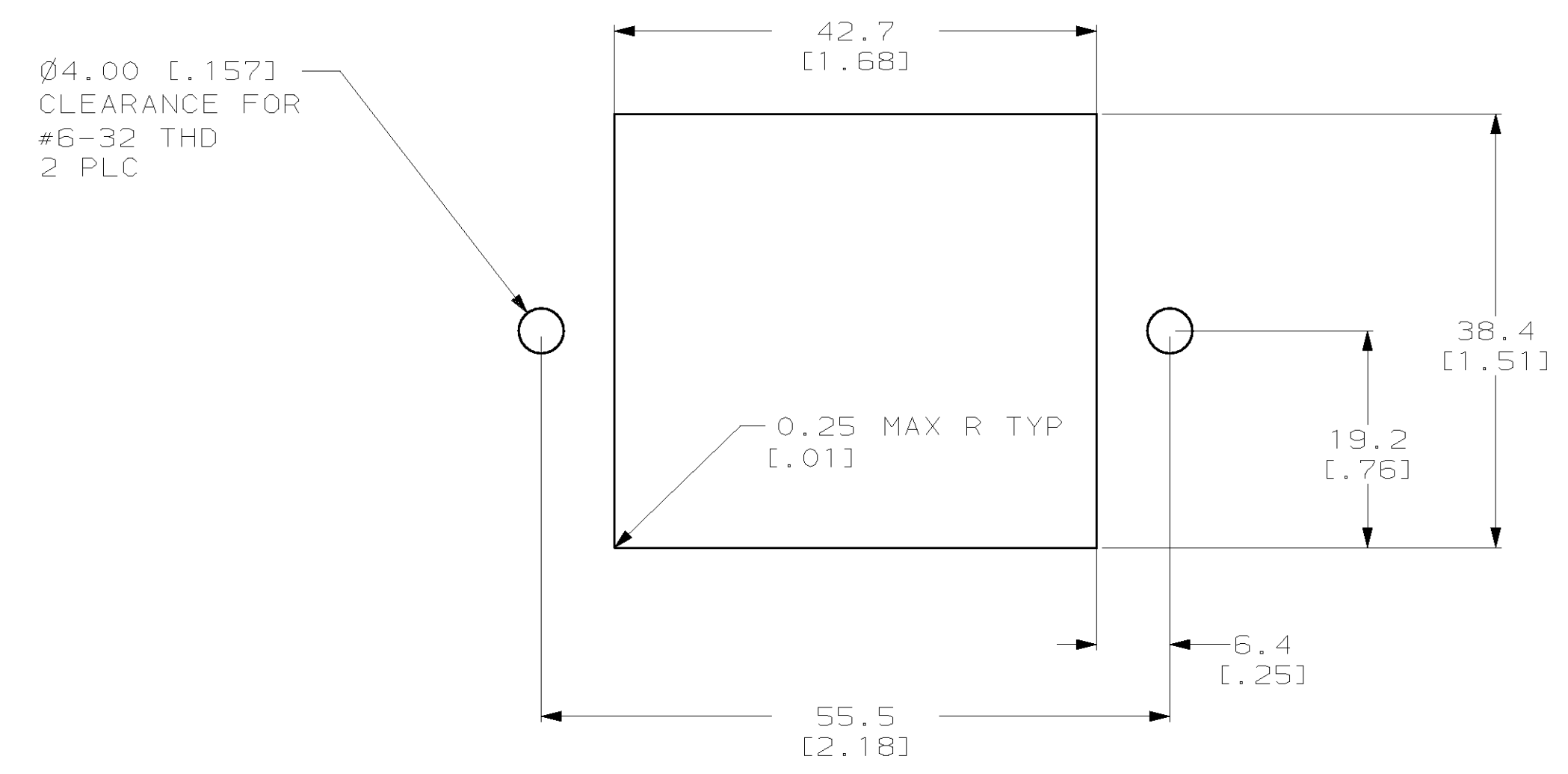
- POSITIONS 1-8 ARE FOR 3mm CONTACTS.
- POSITIONS 9-40 ARE FOR SIZE 16 CONTACTS.
- POSITIONS 41-43 ARE FOR 3mm CONTACTS.
- INSERTS ARE NOT REQUIRED WHEN FLOAT MOUNTING.
- ALL DIMENSIONS EXCEPT PANEL CUTOUTS ARE REFERENCE ONLY.

194242-1  
PART NO

<small>THIS DRAWING IS A CONTROLLED DOCUMENT AND IS UNPUBLISHED. IT IS SUBJECT TO CHANGE AND THE CONTROLLING ENGINEERING DEPARTMENT SHALL BE CONTACTED FOR THE LATEST REVISION.</small>		DWN N POLK	25APR97
DIMENSIONS: mm (in)		APVD	
		PRODUCT SPEC	
TOLERANCES UNLESS OTHERWISE SPECIFIED: Ø PLC ± 1 PLC ± 2 PLC ± 3 PLC ± 4 PLC ± ANGLES ± FINISH		APPLICATION SPEC	
MATERIAL POLYESTER PCT, BLACK	FINISH	HEIGHT	
CUSTOMER DRAWING		SCALE	2:1
AMP Incorporated Harrisburg, PA 17105-3608		SIZE A1	CAGE CODE 00779
AMPPOWER* Multi Pin Plus HOUSING, PLUG 43 POSITION		DRAWING NO. 194242	SHEET 12



RECOMMENDED FLOAT MOUNT PANEL CUTOUT #7  
 EXTERNAL VIEW



RECOMMENDED STATIONARY MOUNT PANEL CUTOUT #6  
 EXTERNAL VIEW

THIS DRAWING IS A CONTROLLED DOCUMENT.		DWN	N POLK	25APR97
DIMENSIONS:		CHK	-	-
mm (in)		APVD	-	-
TOLERANCES UNLESS OTHERWISE SPECIFIED:		NAME	AMP Incorporated Harrisburg, PA 17105-3608	
0 PLC	±	PRODUCT SPEC	AMPPOWER* Multi Pin Plus	
1 PLC	±0.2	APPLICATION SPEC	HOUSING, PLUG 43 POSITION	
2 PLC	±0.12(.01)	SIZE	A1	00779
3 PLC	±0.025(.005)	CAGE CODE	C-194242	194242
4 PLC	±	DRAWING NO	194242	
ANGLES	±	WEIGHT	-	
MATERIAL	FINISH	CUSTOMER DRAWING	SCALE	2/1
		SHEET	22	REV C

单击下面可查看定价，库存，交付和生命周期等信息

[>>TE Connectivity\(泰科\)](#)