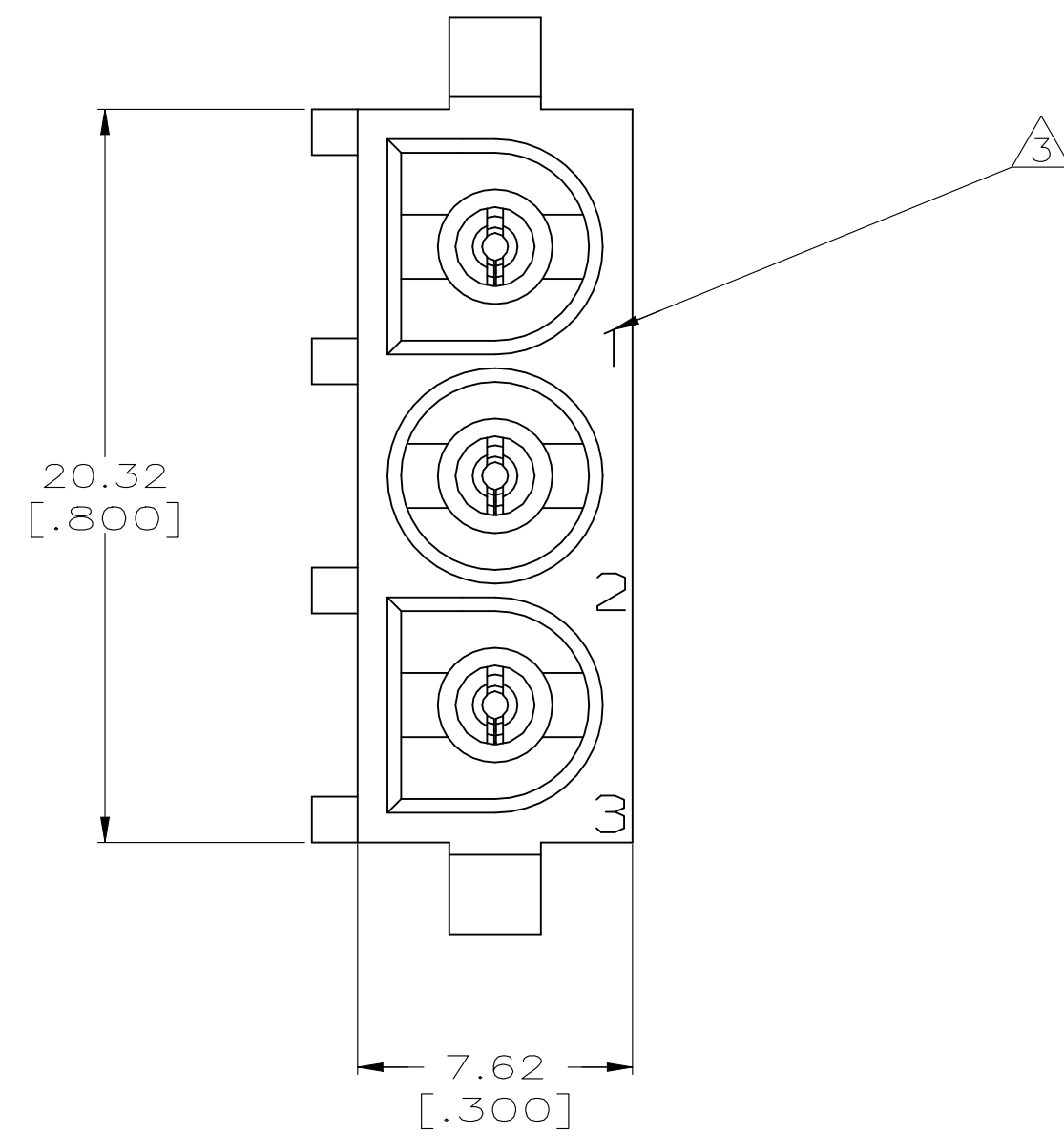
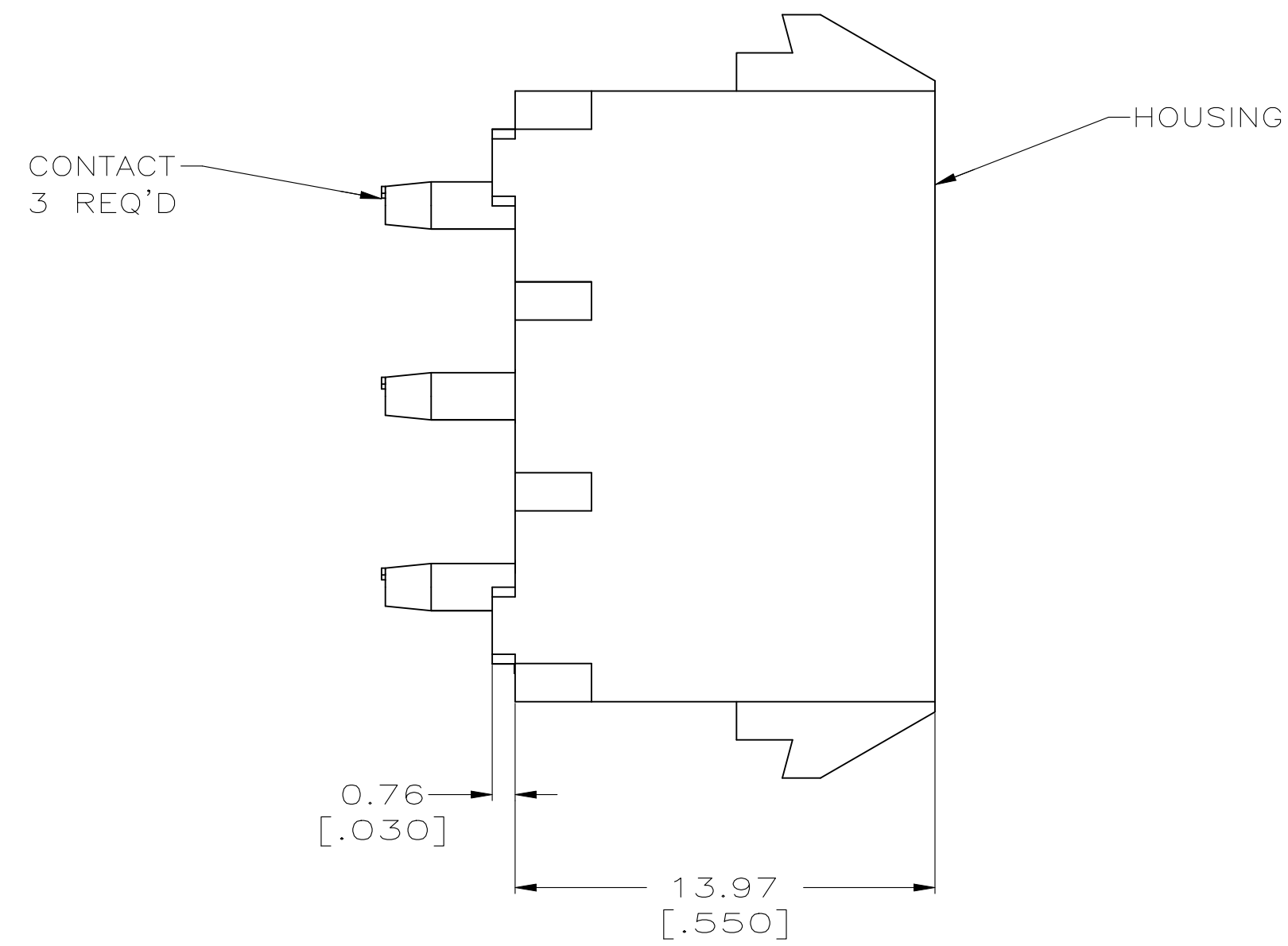
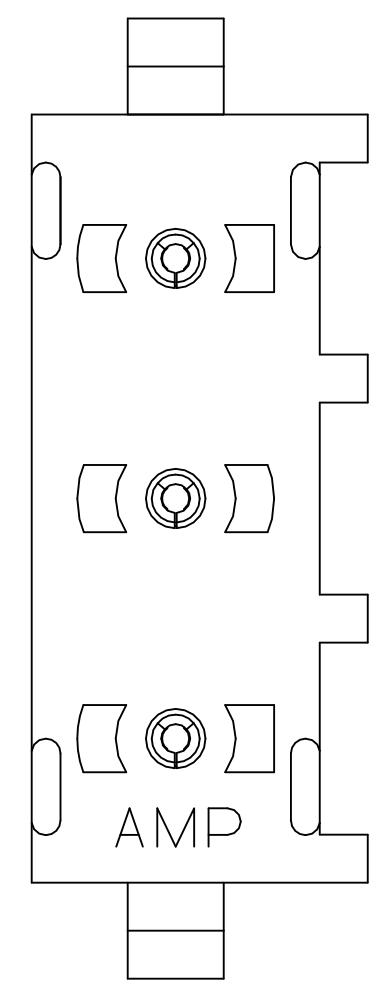
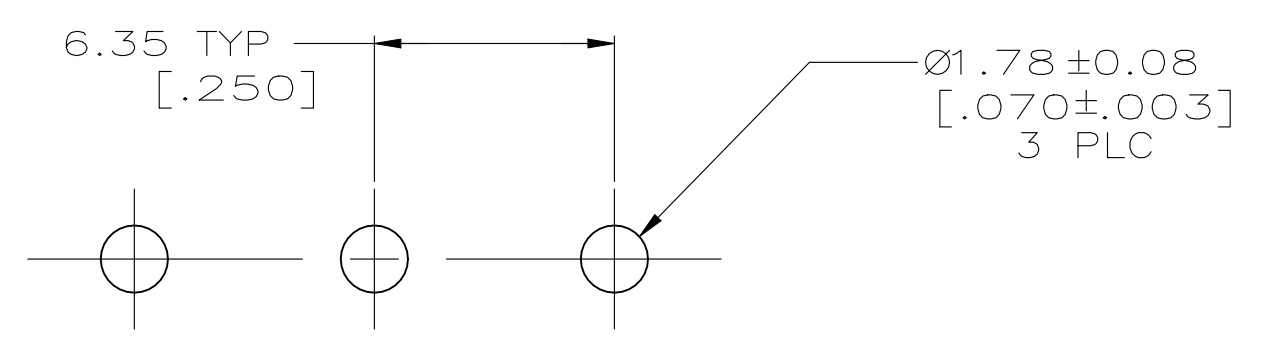
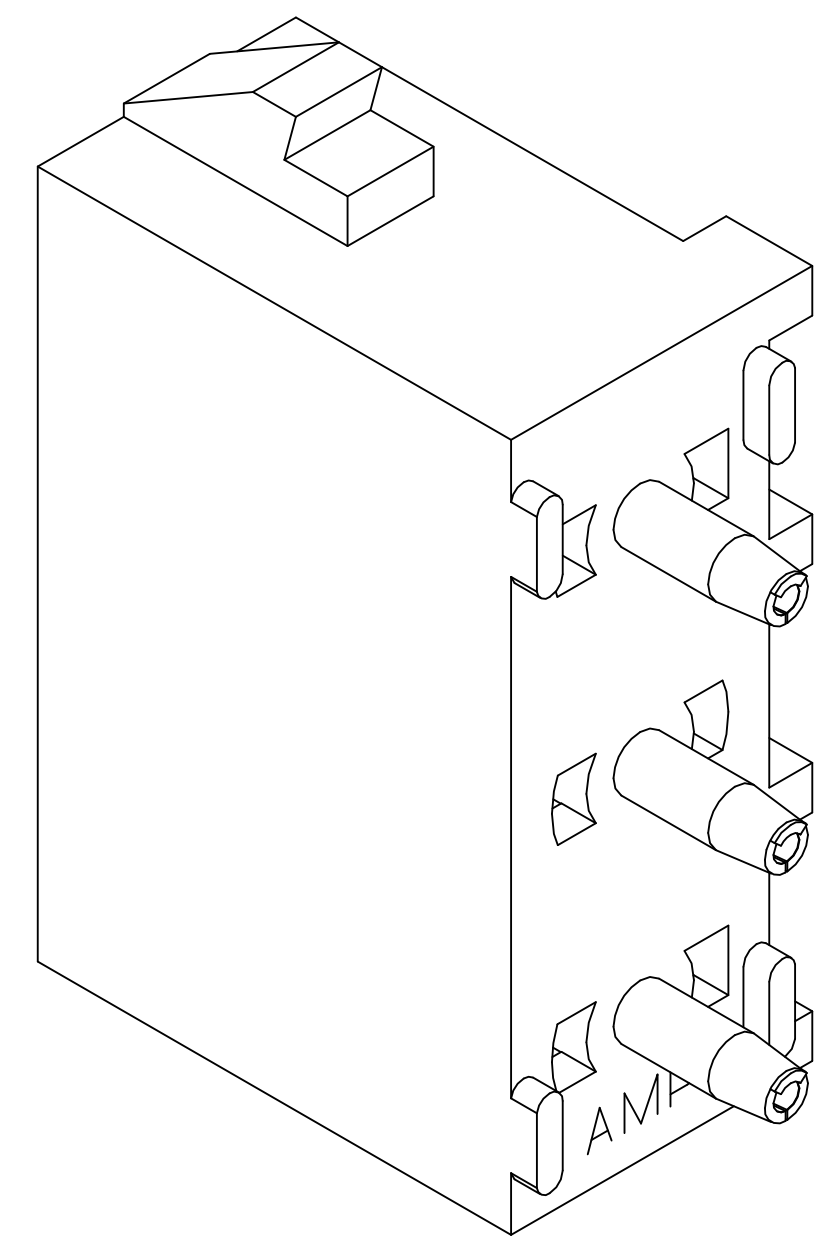
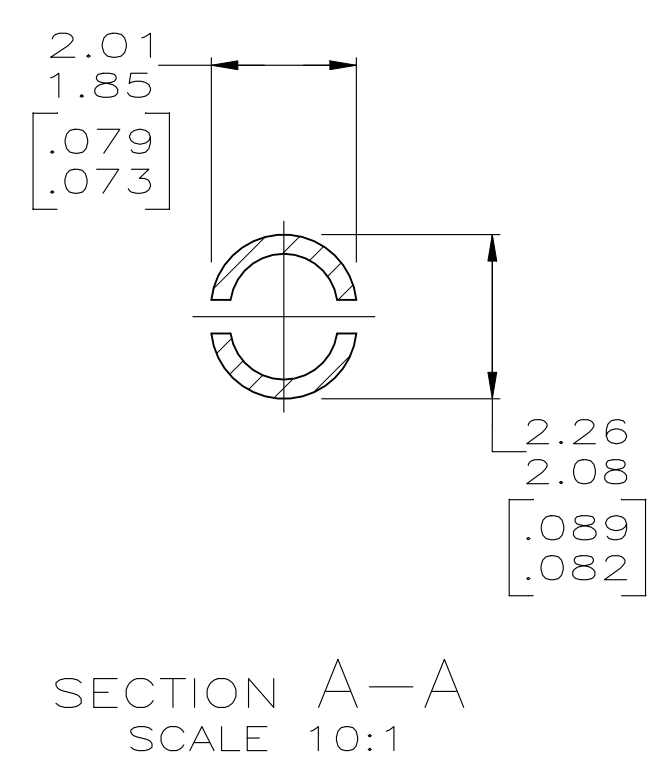
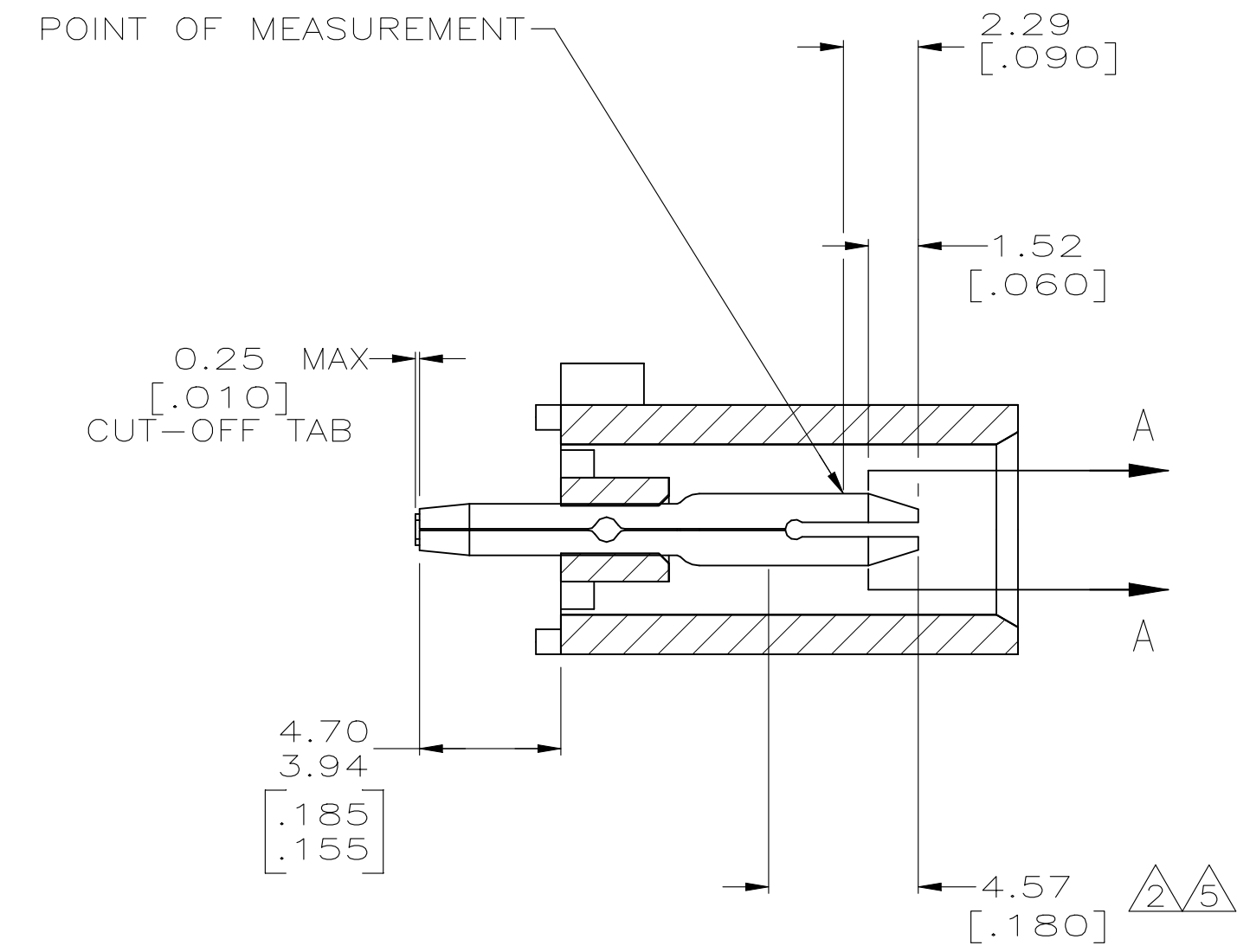


REVISIONS					
REV	DATE	DESCRIPTION	BY	CHK	APP'D
Y3		REVISED PER ECR-21-119230		SS	VS



- 1 PARTS COMPLY TO AMP SOLDERABILITY SPECIFICATION 109-11-3.
- 2 CONTACT IS PLATED OVERALL WITH 0.00127 [.000050] NICKEL, THEN 0.00076 [.000030] GOLD OVER CONTACT LENGTH INDICATED AND MATTE TIN LEAD ON SOLDER TAIL END.
- 3 CIRCUIT IDENTIFICATION CHARACTERS ARE ADJACENT TO THE INDICATED CAVITIES, BUT LOCATION AND ORIENTATION MAY DIFFER FROM PRINT.
- 4 DIMENSIONS IN BRACKETS ARE IN INCHES.
- 5 CONTACT IS PLATED OVERALL WITH 0.00127 [.000050] NICKEL, THEN 0.00076 [.000030] GOLD OVER CONTACT LENGTH INDICATED AND MATTE TIN ON SOLDER TAIL END.
- 6 SUPERSEDED BY 350429-4
- 7 DIMENSIONS SHOWN REPRESENT PRODUCT IN DRY CONDITION. ADDITIONAL 2% GROWTH DUE TO END USE LOCATION MOISTURE ABSORPTION MAY OCCUR AND SHOULD BE ACCOUNTED FOR.



RECOMMENDED MOUNTING HOLE PATTERN FOR 1.57 [.062] THICK P.C. BOARD

MATERIAL	HOUSING MATERIAL	PART NUMBER
PHOSPHOR BRONZE, GOLD ⁵	NYLON, UL94V-2,NATURAL	350429-4
PHOSPHOR BRONZE, GOLD ²	NYLON, UL94V-2,NATURAL	350429-2
PHOSPHOR BRONZE, PRE-TIN	NYLON, UL94V-2,NATURAL	350429-1

THIS DRAWING IS A CONTROLLED DOCUMENT.		DIN 8-19-98		TE Connectivity																	
DIMENSIONS: mm [INCHES]		TOLERANCES UNLESS OTHERWISE SPECIFIED:																			
<table border="1"> <tr><td>0 PLC</td><td>± -</td></tr> <tr><td>1 PLC</td><td>± -</td></tr> <tr><td>2 PLC</td><td>± 0.13 [.005]</td></tr> <tr><td>3 PLC</td><td>± -</td></tr> <tr><td>4 PLC</td><td>± -</td></tr> <tr><td>ANGLES</td><td>± 0° 30'</td></tr> </table>		0 PLC	± -	1 PLC	± -	2 PLC	± 0.13 [.005]	3 PLC	± -	4 PLC	± -	ANGLES	± 0° 30'	<table border="1"> <tr><td>APVD</td><td>8-19-98</td></tr> <tr><td>TRULL</td><td>8-19-98</td></tr> </table>		APVD	8-19-98	TRULL	8-19-98	NAME: PIN HEADER ASSEMBLY, 3 CIRCUIT UNIVERSAL MATE-N-LOK™ SIZE: A1 CAGE CODE: 00779 DRAWING NO: 350429	
0 PLC	± -																				
1 PLC	± -																				
2 PLC	± 0.13 [.005]																				
3 PLC	± -																				
4 PLC	± -																				
ANGLES	± 0° 30'																				
APVD	8-19-98																				
TRULL	8-19-98																				
MATERIAL: SEE TABLE		FINISH: SEE TABLE		WEIGHT: 0.000000 CUSTOMER DRAWING: SCALE 5:1 SHEET 1 OF 1 REV Y3																	

单击下面可查看定价，库存，交付和生命周期等信息

[>>TE Connectivity\(泰科\)](#)