

THIS DRAWING IS UNPUBLISHED. RELEASED FOR PUBLICATION
 © COPYRIGHT BY TYCO ELECTRONICS CORPORATION. ALL RIGHTS RESERVED.

LOC		DIST		REVISIONS			
P	LTR	DESCRIPTION		DATE	DWN	APVD	
AF	50	E1	REVISED PER ECR 05-008133	19AUG05	JR	KR	

1. SPECIFICATIONS:

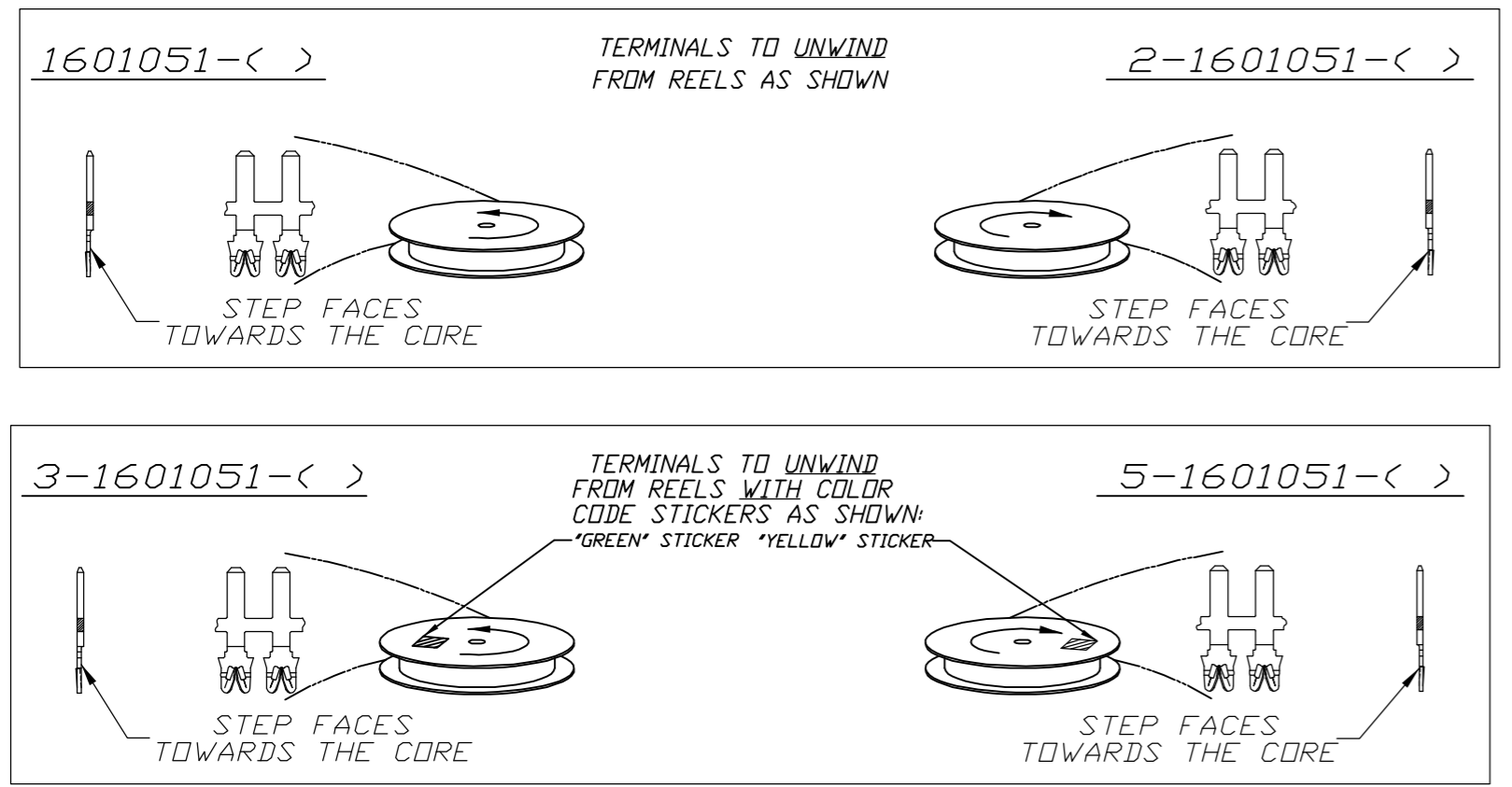
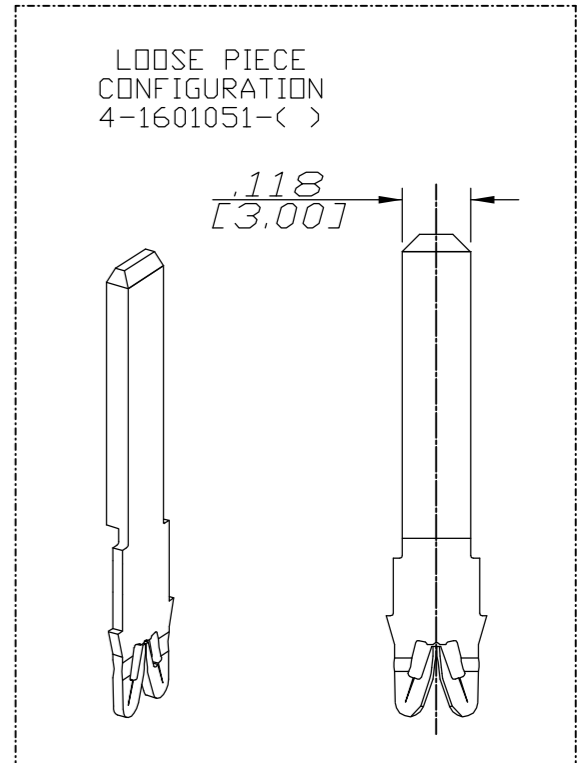
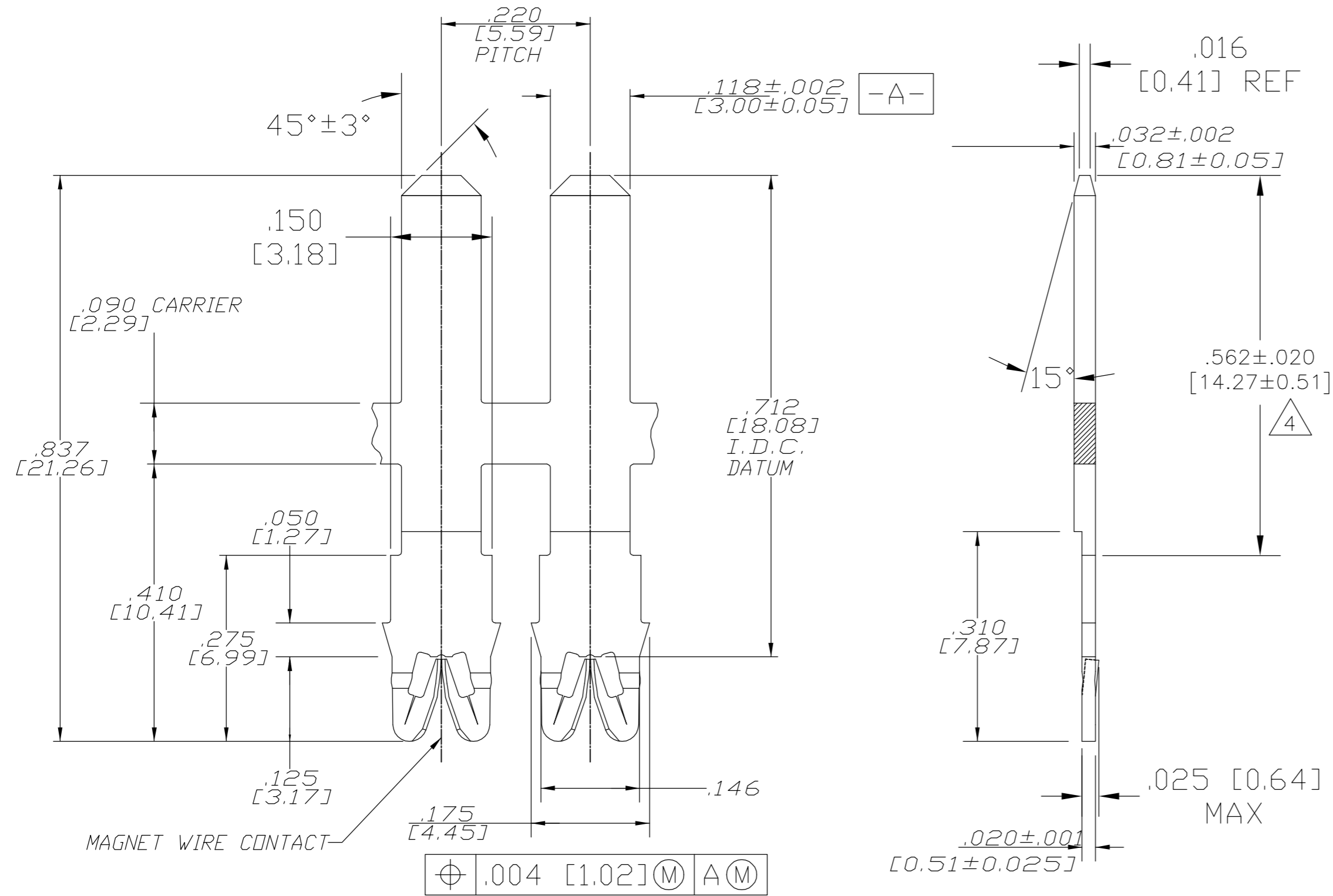
MAGNET WIRE #18 - #34 AWG,
 .040" (1.02mm) - .006" (0.16mm) DIA. COPPER
 OTHER SIZES MAY BE ACCOMMODATED,
 CONSULT TYCO ELECTRONICS FOR APPROVAL.

2. POCKET RECOMMENDATION:

#1601425
 PRELIMINARY - NOT FOR PRODUCTION.

4 SELECTIVE PLATE THIS AREA:

.000030 [0.00076] MIN GOLD PLATE OVER
 .000050 [0.00127] MIN NICKEL UNDERPLATE
 OVER ENTIRE TERMINAL.



FINISH	REFERENCE PART NUMBER	TYCO PART NUMBER
Pre-Tin Plate over Copper Underplate	-	2-1601051-2
4	-	3 1601051-3
UNPLATED	-	3 1601051-1
Pre-Tin Plate over Copper Underplate	-	3 5-1601051-2
Pre-Tin Plate over Copper Underplate	-	3 3-1601051-2
Pre-Tin Plate over Copper Underplate	031-113-014	4-1601051-2
Pre-Tin Plate over Copper Underplate	131-113-014	1601051-2
FINISH		TYCO PART NUMBER
THIS DRAWING IS A CONTROLLED DOCUMENT.		NAME
DWN J.WELLER 11JAN2002		tyco Tyco Electronics Corporation Harrisburg, Pa 17105-3608
CHK M.FEHER 11JAN2002		
APVD K.RANDOLPH 11JAN2002		
PRODUCT SPEC		
DIMENSIONS: INCHES		108-2085
TOLERANCES UNLESS OTHERWISE SPECIFIED:		APPLICATION SPEC
0 PLC ± -	1 PLC ± -	408-8629
2 PLC ± .01[0.25]	3 PLC ± .005[0.13]	WEIGHT -
4 PLC ± -	ANGLES ± 2'	SIZE A2
MATERIAL BRASS, 3/4 HARD	FINISH SEE TABLE	CAGE CODE 00779
CUSTOMER DRAWING		DRAWING NO C=1601051
		RESTRICTED TO -
		SCALE 1:1 SHEET 1 OF 1 REV E1

单击下面可查看定价，库存，交付和生命周期等信息

[>>TE Connectivity\(泰科\)](#)