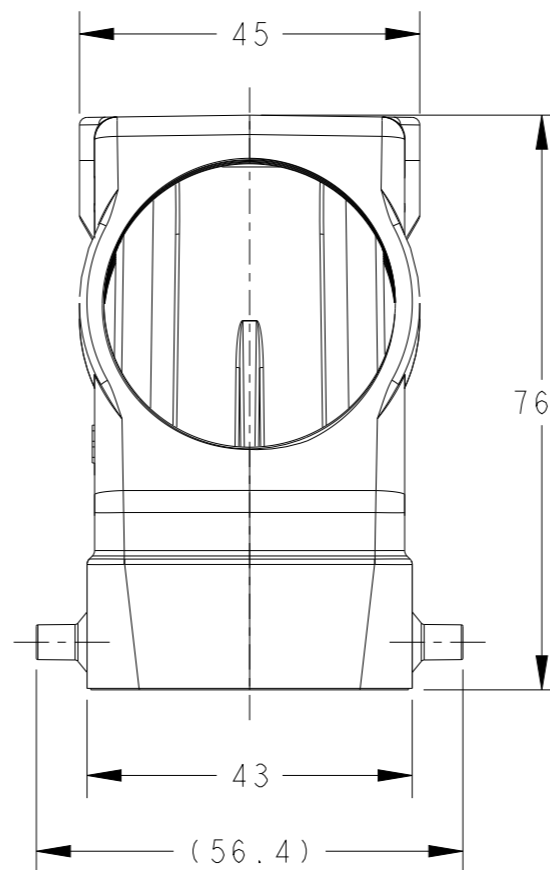
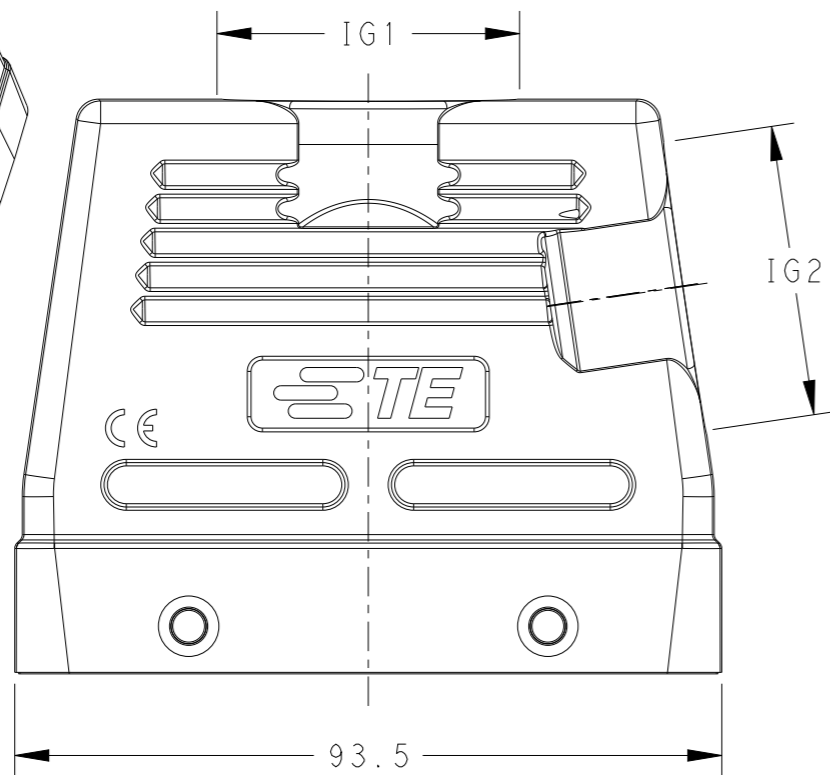
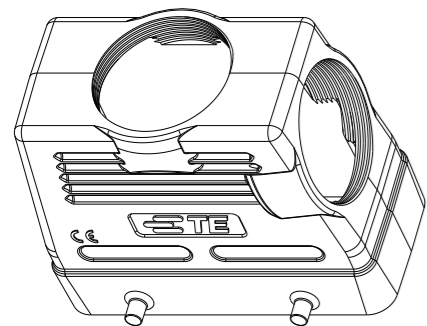


REVISIONS

P	LTR	DESCRIPTION	DATE	DWN	APVD
A1	ECR-18-010109		07JUL2018	CD	CW
A2	ECR-18-018360		28NOV2018	GY	CW
B	ECR-20-008190		31JUL2020	WQR	CW
B1	ECR-21-105138		23JUN2021	WQR	CW

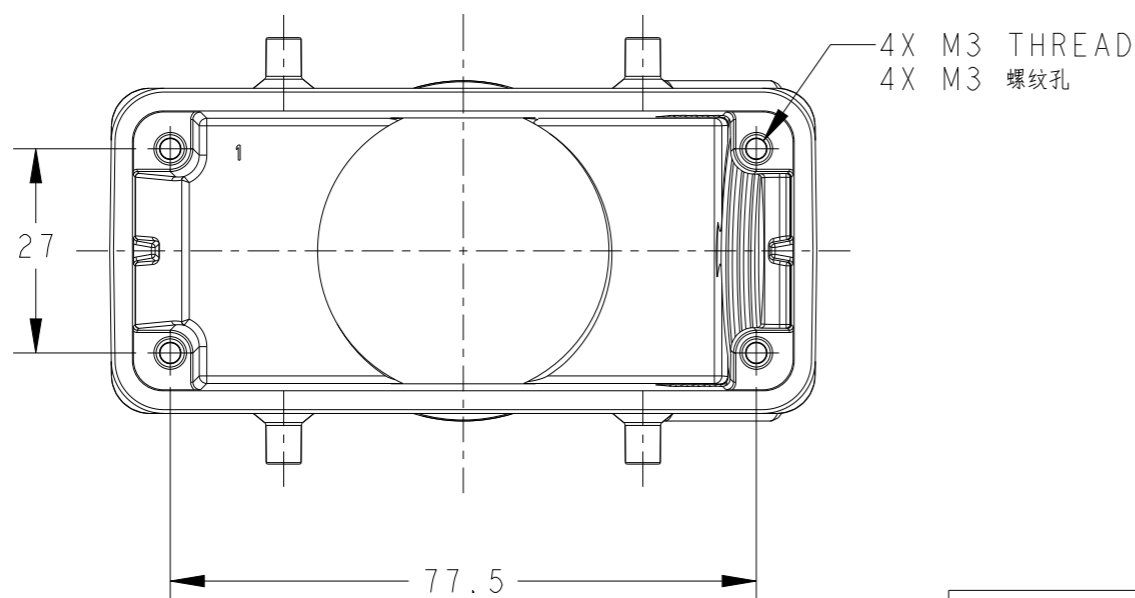


NOTES:

- 1. TECHNICAL CHARACTERISTICS:
HOOD MATERIAL: DIE CAST ALUMINIUM ALLOY
SURFACE: POWDER COATED, GREY
DEGREE OF PROTECTION: IP65 (MATED)

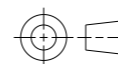
注释:

- 1. 技术参数:
上壳材料: 铝合金
表面处理: 粉末涂层, 灰色
防护等级: IP65(配合)



THIS DRAWING IS A CONTROLLED DOCUMENT.

DIMENSIONS: mm



TOLERANCES UNLESS OTHERWISE SPECIFIED:

- 0 PLC ±-
- 1 PLC ±-
- 2 PLC ±-
- 3 PLC ±-
- 4 PLC ±-
- ANGLES ±-
- FINISH -

MATERIAL

-

DWN 25MAY2015

David Wang

CHK 25MAY2015

Chris Wang

APVD 25MAY2015

Xiang Xu

PRODUCT SPEC

108-137013

APPLICATION SPEC

114-137013

WEIGHT

-

Customer Drawing



TE Connectivity

NAME H16B-TGH/TSH-M/PG

SIZE CAGE CODE DRAWING NO RESTRICTED TO

A3 00779 C-T1XX016XXXX000

SCALE 1:1 SHEET 1 OF 2 REV B1

THIS DRAWING IS UNPUBLISHED. RELEASED FOR PUBLICATION 20
 © COPYRIGHT 20 BY - ALL RIGHTS RESERVED.

REVISIONS					
P	LTR	DESCRIPTION	DATE	DWN	APVD
	-	SEE SHEET 1	-	-	-

PART NUMBER 料号	PART DESCRIPTION 描述	IG1 THREAD-1 IG1 螺纹孔-1	IG2 THREAD-2 IG2 螺纹孔-2
T1190162032-000	H16B-TGH/TSH-M32/M20 H16B HOOD, TOP ENTRY M20, SIDE ENTRY M32, 4 EAR, HIGH CONSTRUCTION, POWDER COATED, GREY H16B上壳, 顶出M32, 侧出M20, 4耳, 高结构, 灰色粉末喷涂	M32	M20
T1190164020-000	H16B-TGH/TSH-M20/M40 H16B HOOD, TOP ENTRY M20, SIDE ENTRY M40, 4 EAR, HIGH CONSTRUCTION, POWDER COATED, GREY H16B上壳, 顶出M20, 侧出M40, 4耳, 高结构, 灰色粉末喷涂	M20	M40
T1190162121-000	H16B-TGH/TSH-PG21/PG21 H16B HOOD, TOP ENTRY PG21, SIDE ENTRY PG21, 4 EAR, HIGH CONSTRUCTION, POWDER COATED, GREY H16B上壳, 顶出PG21, 侧出PG21, 4耳, 高结构, 灰色粉末喷涂	PG21	PG21
T1190162525-000	H16B-TGH/TSH-M25/M25 H16B HOOD, TOP ENTRY M25, SIDE ENTRY M25, 4 EAR, HIGH CONSTRUCTION, POWDER COATED, GREY H16B上壳, 顶出M25, 侧出M25, 4耳, 高结构, 灰色粉末喷涂	M25	M25
T1190162532-000	H16B-TGH/TSH-M32/M25 H16B HOOD, TOP ENTRY M32, SIDE ENTRY M25, 4 EAR, HIGH CONSTRUCTION, POWDER COATED, GREY H16B上壳, 顶出M32, 侧出M25, 4耳, 高结构, 灰色粉末喷涂	M32	M25
T1190162911-000	H16B-TGH/TSH-PG11/PG29 H16B HOOD, TOP ENTRY PG11, SIDE ENTRY PG29, 4 EAR, HIGH CONSTRUCTION, POWDER COATED, GREY H16B上壳, 顶出PG11, 侧出PG29, 4耳, 高结构, 灰色粉末喷涂	PG11	PG29
T1190162929-000	H16B-TGH/TSH-2PG29 H16B HOOD, TOP ENTRY PG29, SIDE ENTRY PG29, 4 EAR, HIGH CONSTRUCTION, POWDER COATED, GREY H16B上壳, 顶出PG29, 侧出PG29, 4耳, 高结构, 灰色粉末喷涂	PG29	PG29
T1190162040-000	H16B-TGH/TSH-M40/M20 H16B HOOD, TOP ENTRY M40, SIDE ENTRY M20, 4 EAR, HIGH CONSTRUCTION, POWDER COATED, GREY H16B上壳, 顶出M40, 侧出M20, 4耳, 高结构, 灰色粉末喷涂	M40	M20
T1190162940-000	H16B-TGH/TSH-M40/PG29 H16B HOOD, TOP ENTRY M40, SIDE ENTRY PG29, 4 EAR, HIGH CONSTRUCTION, POWDER COATED, GREY H16B上壳, 顶出M40, 侧出PG29, 4耳, 高结构, 灰色粉末喷涂	M40	PG29
T1190163240-000	H16B-TGH/TSH-M40/M32 H16B HOOD, TOP ENTRY M40, SIDE ENTRY M32, 4 EAR, HIGH CONSTRUCTION, POWDER COATED, GREY H16B上壳, 顶出M40, 侧出M32, 4耳, 高结构, 灰色粉末喷涂	M40	M32
T1190164032-000	H16B-TGH/TSH-M32/M40 H16B HOOD, TOP ENTRY M32, SIDE ENTRY M40, 4 EAR, HIGH CONSTRUCTION, POWDER COATED, GREY H16B上壳, 顶出M32, 侧出M40, 4耳, 高结构, 灰色粉末喷涂	M32	M40
T1230162532-000	H16B-TGH/TSH-M25/M32 H16B HOOD, TOP ENTRY M25, SIDE ENTRY M32, 4 EAR, HIGH CONSTRUCTION, POWDER COATED, GREY H16B上壳, 顶出M25, 侧出M32, 4耳, 高结构, 灰色粉末喷涂	M25	M32
T1230162540-000	H16B-TGH/TSH-M25/M40 H16B HOOD, TOP ENTRY M25, SIDE ENTRY M40, 4 EAR, HIGH CONSTRUCTION, POWDER COATED, GREY H16B上壳, 顶出M25, 侧出M40, 4耳, 高结构, 灰色粉末喷涂	M25	M40
T1230163232-000	H16B-TSH/TGH-2M32 H16B HOOD, SIDE/TOP ENTRY M32, 4 EAR, HIGH CONSTRUCTION, POWDER COATED, GREY H16B上壳, 侧/顶出M32, 4耳, 高结构, 灰色粉末喷涂	M32	M32
T1230164040-000	H16B-TGH/TSH-M40/M40 H16B HOOD, TOP/SIDE ENTRY M40, 4 EAR, HIGH CONSTRUCTION, POWDER COATED, GREY H16B上壳, 顶/侧出M40, 4耳, 高结构, 灰色粉末喷涂	M40	M40
T1240164025-000	H16B-TGH/TSH-M40/M25 H16B HOOD, TOP ENTRY M40, SIDE ENTRY M25, HIGH CONSTRUCTION, 4 EAR, POWDER COATED, GREY H16B上壳, 顶出M40, 侧出M25, 高结构, 4耳, 灰色粉末喷涂	M40	M25

THIS DRAWING IS A CONTROLLED DOCUMENT.

DWN 25MAY2015 David Wang
 CHK 25MAY2015 Chris Wang
 APVD 25MAY2015 Xiang Xu

NAME H16B-TGH/TSH-M/PG

PRODUCT SPEC 108-137013
 APPLICATION SPEC 114-137013

WEIGHT -

Customer Drawing

SCALE 1:1 SHEET 2 OF 2 REV B1

RESTRICTED TO -

SIZE A3 CAGE CODE 00779 DRAWING NO. T1XX016XXXX000

DIMENSIONS: mm		TOLERANCES UNLESS OTHERWISE SPECIFIED:	
	0 PLC ±-	1 PLC ±-	
	2 PLC ±-	3 PLC ±-	
	4 PLC ±-	ANGLES ±-	
MATERIAL -	FINISH -		



单击下面可查看定价，库存，交付和生命周期等信息

[>>TE Connectivity\(泰科\)](#)