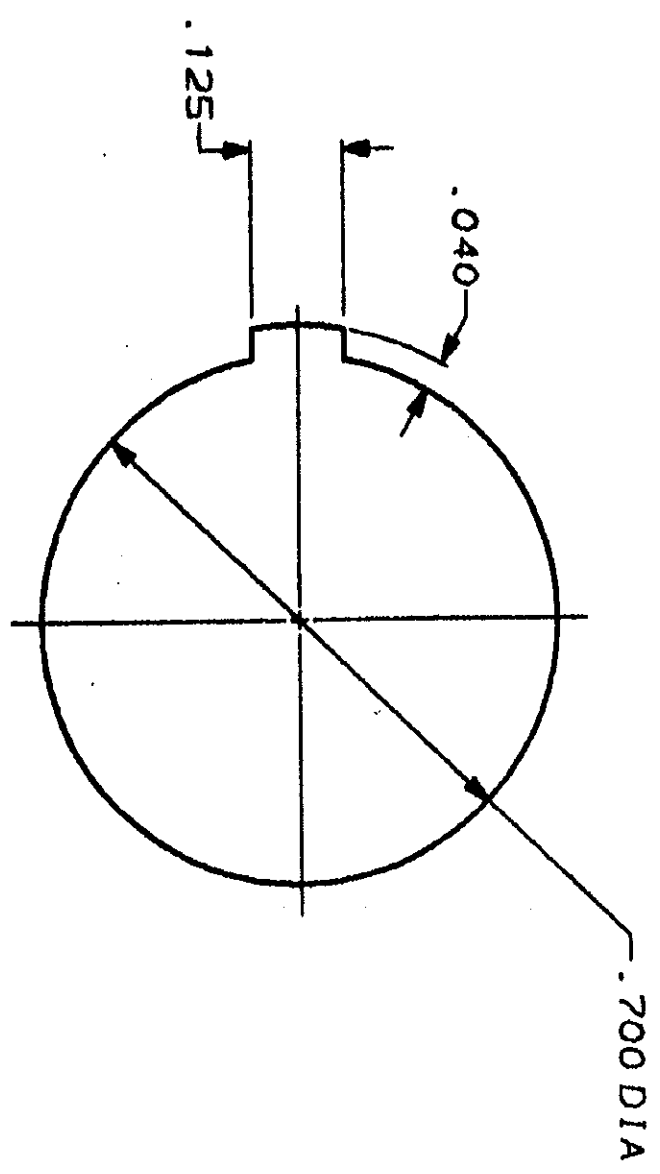
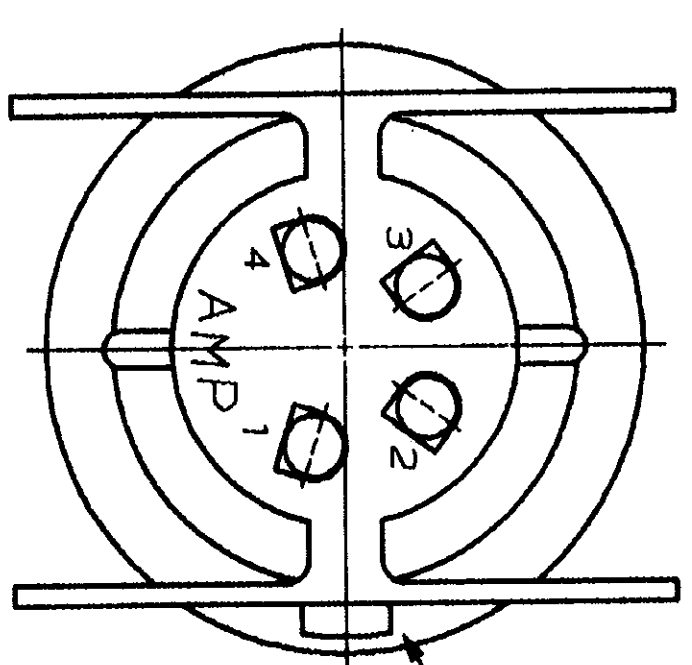
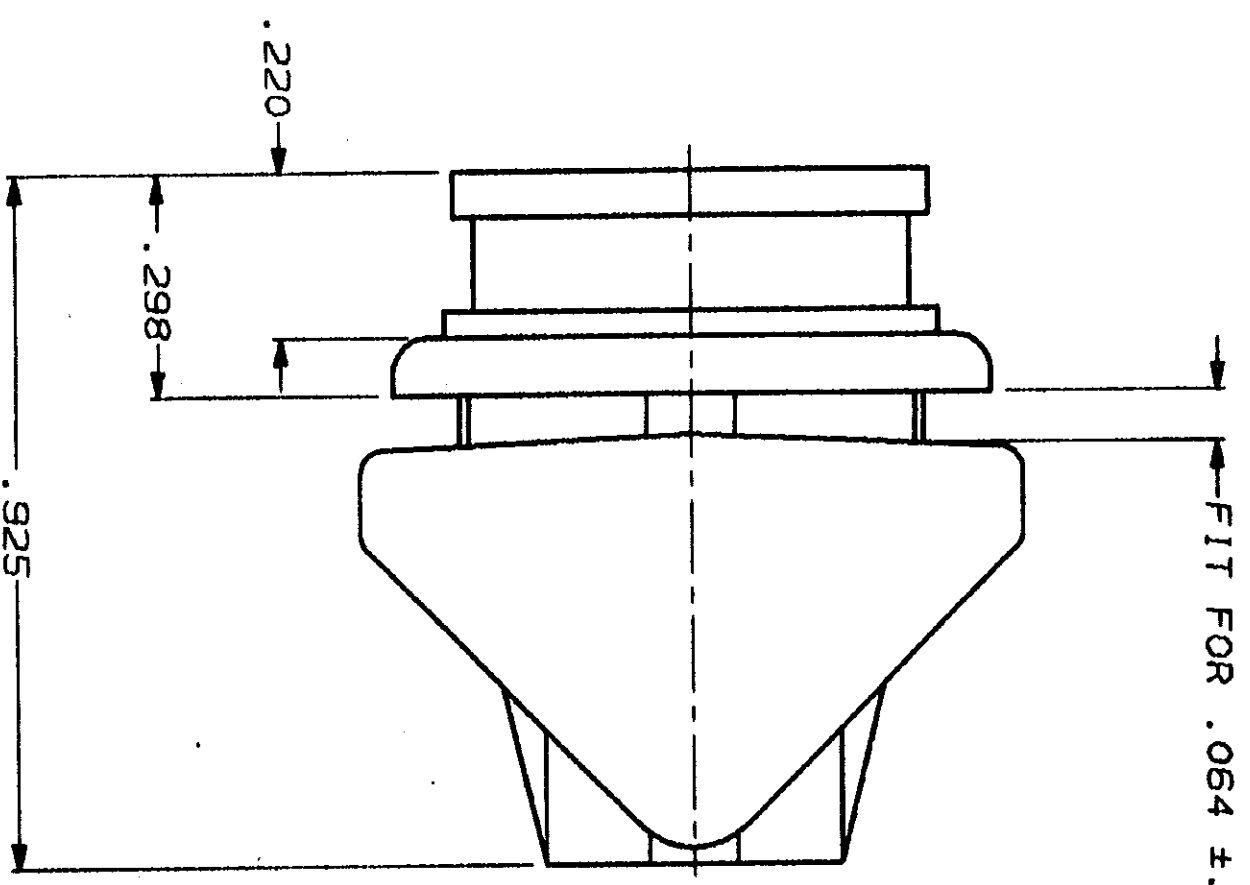
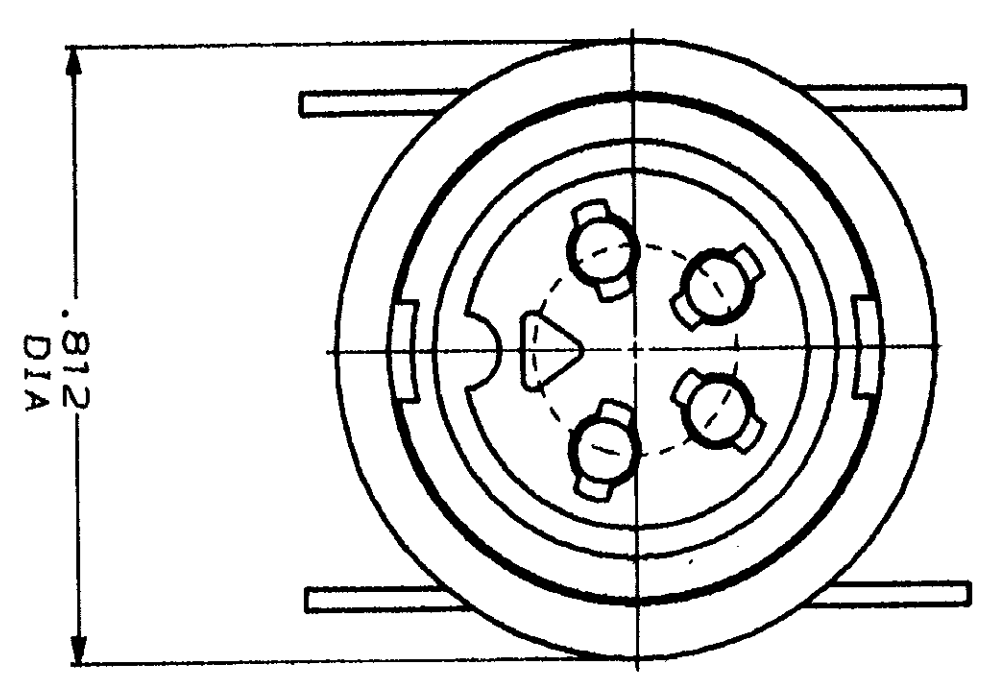


REV. NO.	DATE	APP'D	DESCRIPTION
23	BD	39	REDRAWN
ZONE	LTR	H	REDRAWN
DATE	APP'D	h/b	



RECOMMENDED PANEL CUT-OUT

1. HOUSING TO BE INSERTED FROM PUNCHED SIDE OF PANEL.

DO NOT SCALE PRINT. DIMENSIONS SPECIFIED IN INCHES TOLERANCES ON: 1. DIMENSIONS IN INCHES 2. PLG DEC ± .005 3. PLG DEC ± .005 ANGLES MATERIAL NYLON COLOR: BLACK FINISH	DR B/31/90 A. STUB BS CHK S-30-91 APPD H. Blawie 6-3-91 APPD - Q. Blawie 6/2/91 PRODUCT SPEC APPLICATION SPEC WEIGHT	AMP AMP Incorporated Harrisburg, PA 17105-3808	SIZE CAGE CODE DRAWING NO SHEET
		HOUSING, SOCKET, SNAP-IN, AUDIO MICROPHONE CONNECTOR, 4 POSN	207316 00779 207316 1 OF 1

CUSTOMER DRAWING

单击下面可查看定价，库存，交付和生命周期等信息

[>>TE Connectivity\(泰科\)](#)